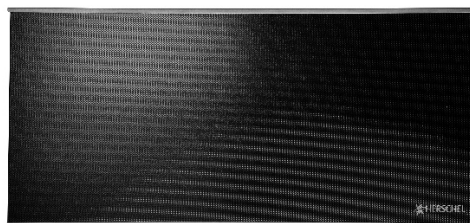
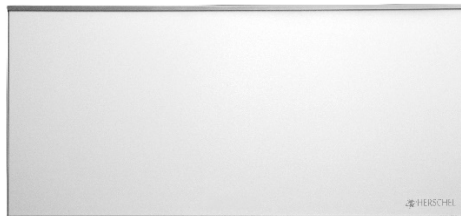


HERSCHEL Krystal

Wall & Ceiling-mounted Infrared Heaters

INSTALLATION & OPERATING INSTRUCTIONS



EN INSTALLATION & OPERATING INSTRUCTIONS
FR INSTRUCTIONS D'INSTALLATION ET D'UTILISATION
NL INSTALLATIE- EN BEDIENINGSINSTRUCTIES
DE INSTALLATIONS- & BEDIENUNGSANLEITUNG
IT ISTRUZIONI PER L'INSTALLAZIONE E L'USO
ES INSTRUCCIONES DE INSTALACIÓN Y FUNCIONAMIENTO

PANELS COVERED BY THESE INSTRUCTIONS:

Black Panels	White Panels	Power	Dimensions	Weight
Krystal-600-B	Krystal-600-W	600W, 220 – 240V, 50/60Hz	573 x 269 x 82mm	6.4kg
Krystal-1000-B	Krystal-1000-W	1000W, 220 – 240V, 50/60Hz	573 x 269 x 82mm	8.15kg



The product complies with European safety standards Low Voltage Directive 2014/35/EC, EMC Directive 2014/30/EC, RoHS 2011/65/EC & Ecodesign Directive 2009/125/EC.

Original English instructions covering Krystal heaters manufactured from 10-2022.

IMPORTANT SAFETY PRECAUTIONS

READ THESE INSTRUCTIONS CAREFULLY AND RETAIN FOR FUTURE REFERENCE.

Failure to observe these instructions will invalidate the warranty.
Do not disassemble. No user-serviceable parts inside.



WARNING

TO REDUCE THE RISK OF FIRE, ELECTRIC SHOCK OR INJURY:

1. This appliance must be disconnected from its power source during installation or service activities and when replacing.
2. The Krystal is not equipped with an integrated device to control the room temperature. If intended for use in an enclosed space for the purposes of room heating, Herschel iQ controls must be used. If you do not fit a room temperature controller, **DO NOT** use for room heating when rooms are occupied by people incapable of leaving the room on their own, unless constant supervision is provided. Herschel is not responsible for any breach of EcoDesign or Safety legislation where the heaters are used in an enclosed space without use of a Herschel iQ controller.
3. To avoid overheating and potential fire hazard, **DO NOT** cover the heater under any circumstances. **DO NOT** locate the heater within 1m (39") of any flammable materials (e.g., Furniture, curtains).
4. **DO NOT** touch the heater when in use. Surface temperatures of Krystal heaters exceed 250°C / 482°F. Contact with the heater will cause burns and injury. Switch off the heater and allow to cool for at least 10 minutes before touching any part of it.
5. **DO NOT** operate the heater if the cord is damaged or after the heater malfunctions, or if it has been dropped or damaged in any manner. Check each heater for damage before installation. Make sure that the heater itself and its power cord are free of any visible signs of damage. If the cord is damaged the appliance must be sent for repair to an authorised Herschel Dealer.
6. This heater must only be used for the heating of people or buildings. The heater is not to be used by children or persons with reduced physical, sensory or mental capabilities, or lack of experience or knowledge. Children should be kept away and should not be left unsupervised around the unit. **DO NOT** use outdoors.
7. All operators should only switch on/off the appliance provided that it has been placed or installed in its intended operating position in accordance with these instructions. Children must not plug in, switch on or regulate the appliance or perform user maintenance including cleaning.
8. Herschel panels are designed for use with an AC voltage between 220-240 volts, 50/60 Hz AC. If your supply voltage exceeds 240 Volts do not use the heater and refer to your local dealer. Failure to adhere to this will void the warranty.
9. The heater must be mounted on a non-flammable surface.

SAVE THESE INSTRUCTIONS.

WATER INGRESS PROTECTION:

Krystal heater panels are rated to a standard (minimum IP44) enabling them to be located within zone 2 in a bathroom. This means they can be placed above a sink or outside any splash zones, or they can be installed on the ceiling. They cannot be installed in zones 0 or 1.

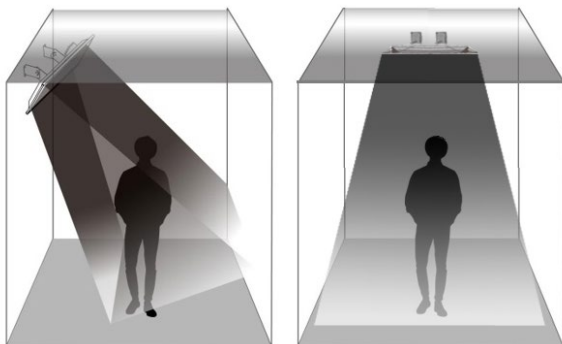
ENGLISH

Installation in potentially wet or humid rooms such as bathrooms must be carried out by a suitably qualified installer and comply with local electrical safety requirements. Installation must be such that the heater must not be able to become detached from the fittings and fall into a bathtub, shower, swimming pool or other water container and that switches and other controls cannot be touched by a person in a bath or shower.

If in doubt, do not install. Herschel Infrared Ltd shall not be liable for any loss, damage or injury caused or resulting from inadequate fitting or incorrect placement of heaters close to water sources.

POSITIONING:

The Herschel Krystal is an infrared panel heater. It heats by transferring energy directly from the heater into the room and its contents. Only install the heater on the ceiling (using one of the mounting options described below) or on a wall above 2.1m and angled downwards.



Ensure the heater cannot be obstructed by objects or where it cannot effectively radiate out, such as at the edge or in the corners of a room. Large objects placed in front of the heater will heat up and can prevent effective heat dispersal into the room. If you can, avoid placing the heater opposite windows and open doorways where the heat could pass through these and be less effective.

You are likely to be able to feel the warmth from the heater up to around 3m away but it will continue to radiate heat out beyond this. The closer you are to the heater, the greater the intensity of the heat you will feel.

The infrared heat will disperse in the same way as light from an LED panel light. If you are installing multiple panels in one room, try to imagine each panel being a light and consider how light would “illuminate” the room – your heaters will heat the room in a similar way.

The Krystal reaches high temperatures and it should never be possible to touch it in normal operation. Never place the heater below 2.1m (83”) from the ground and do not obstruct it with furniture, curtains or other fittings.

For ceiling mounting, the recommended minimum ceiling height is 2.4m due to the intensity of the heat.

Objects intended to be permanently positioned in front of a panel must be at least 1m (39”) away from the front of the heater in normal operation to avoid heat build-up.

Objects (and corners of rooms) should be a minimum of 0.3m (12”) away from the sides of the heater. This distance must also be respected if it is intended to recess the heater into the wall or ceiling. Failure to ensure adequate spacing to the sides will cause excess heat to build up behind the heater and will void the warranty. The distance between the sides of the heater and the sides of any adjacent heater must be a minimum of 1m (40”). Failure to ensure adequate spacing between heaters could cause excess heat to build up behind the heaters and will void the warranty.

INSTALLATION:**WARNING:**

Electrical installation should only be carried out by certified electricians.

Always ensure the power cable cannot touch the back of the heater and that it cannot protrude into the heated area of the heater. The supply cable can be routed safely away from the rear of the heater by fixing it to the metal brackets using zip ties.

Wiring to this appliance must be connected in accordance with the relevant national electrical safety standards. It is a Class 1 appliance and must be earthed.

When placed in public areas, installation must comply with relevant local electrical standards. For certain public buildings like schools and care homes the heaters must be installed according to the specific legislation for these types of buildings.

The electrical supply to the unit should be provided by connecting to a circuit protected by a fuse or residual current device (RCD) or Ground Fault circuit interrupter (GFCI) suitable for the electrical rating of the appliance. Temperature control must be effected by a Thermostat.

Colour coding used in the supplied mains cable: BROWN wire is to be connected to LIVE ('L'), the BLUE wire to NEUTRAL ('N') and the GREEN/YELLOW wire to EARTH ('E').

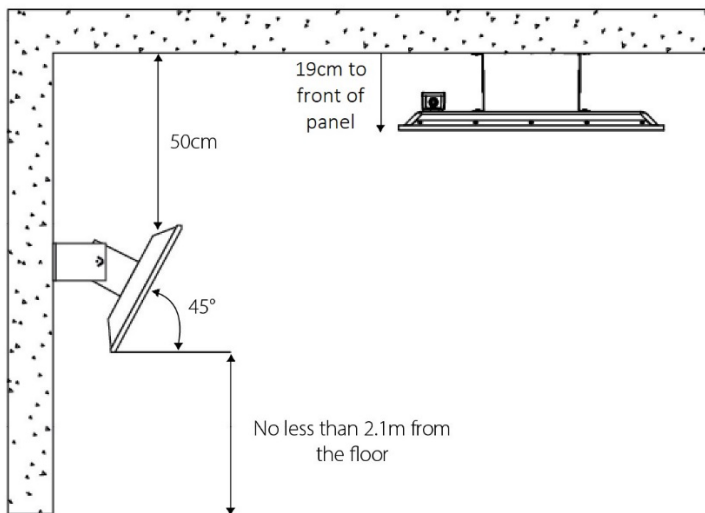
**CAUTION:**

- Ensure mains power is OFF before commencing an installation involving fixed wiring.
- Any fixed wiring outside the heater coming into contact or close proximity to the heater must be protected by sleeving with a temperature rating of at least 90°C.
- All cabling behind the appliance must take the shortest route to the edge of the heater.
- If installing the heater at an angle (on a sloping roof for example), the supply cable must be at the lowest end of the heater.
- **DO NOT** leave the power cable coiled in operation. Shorten the power cable if possible and do not place excess cable on the rear of the heater.
- **DO NOT** make Electrical connections behind the heater in either wall or ceiling-mounted positions.
- The heater is not to be located immediately below a socket outlet in either wall or ceiling-mounted positions.
- **DO NOT** drill through any part of the heater. This will cause irreparable damage and is dangerous.
- **DO NOT** connect a heater that is damaged in any manner to the power network.

Install the Krystal heater using the supplied mounting hardware only and install in accordance with the installation guide. Herschel Infrared Ltd cannot accept responsibility for damage, loss or injury caused by, or resulting from incorrectly installed heaters. Herschel Infrared Ltd will not assume liability for consequential loss however caused.

CEILING & WALL MOUNTING OPTIONS

Wall or Ceiling Mounting using supplied swivel brackets.

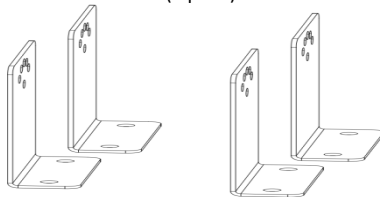


Hardware Includes:

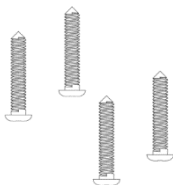
Small self-tapping screws x 4



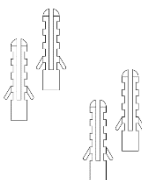
Heater Bracket x 4 (2 pairs)



PWA Tapping screws x 4

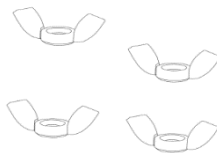
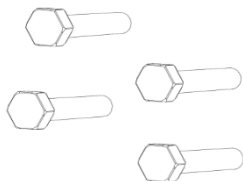


Rawlplugs x 4



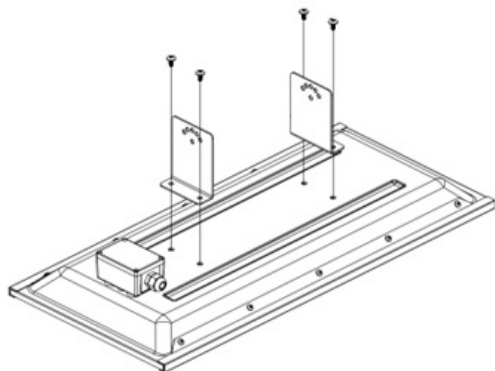
Bolts x 4

Butterfly nuts x 4 + Washer x4

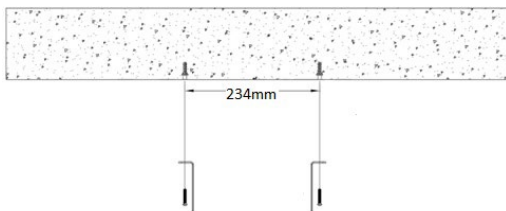


Steps:

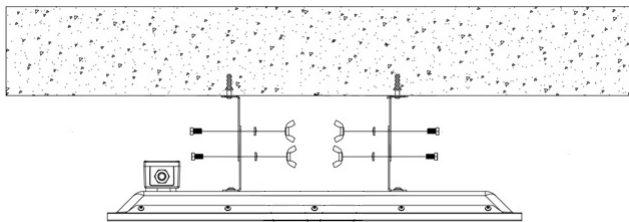
1. Use 4 self-tapping screws to attach two brackets to the rear of the heater.



2. Mark on the ceiling or wall in the intended position the four drill holes using the brackets as a template (234mm apart & 50mm between the holes on each bracket).



3. Drill the 4 holes and insert the supplied rawplugs. Screw the other half of the bracket pair onto the ceiling or wall using the 4 x long tapping screws supplied.
4. Form a hinge between the brackets using the 4 x bolts, 4 x washers and 4 x butterfly nuts and tighten the butterfly nuts so the angle of the hinge is set and no further swiveling of the hinge is possible.



Ceiling recess mounting kits and ceiling surface mounting kits are available as separately purchasable accessories and contain instructions for mounting the heater using these alternative methods.

FIRST USE:

Note that the Krystal heater has no inbuilt controls or on/off switch. As soon as it is connected to live mains, it will heat up.

Make sure intended controls systems are in place and that power to the heater is OFF, when making final connections.

The heater may emit a small odour in the first few minutes after initial power up. This is normal and will stop after a few minutes.

MAINTENANCE AND REPAIR:

The Herschel panel must be installed, uninstalled, cleaned or transported only when cold.

DO NOT attempt to repair or adjust any electrical or mechanical functions on this unit. Doing so will void your warranty.

Repairs must only be carried out by an authorised Herschel service partner.

CLEANING:

Before attempting to clean the panel, unplug the heater, isolate the unit from the electrical supply and allow it to completely cool down.

DO NOT immerse the Herschel panel heater in water or splash water onto it.

Clean the heater surface with a damp cloth. When clean, dry the surfaces with a dry cloth.

DO NOT apply abrasive materials, solvents or solvent wipes to the surface as this can cause irreparable damage.

Wait until the unit is completely dry before use.

DISPOSAL:

The heater is an electrical product and at the end of its working life it should be disposed of in accordance with local regulations.

WARRANTY:

Register your product here:

<https://www.herschel-infrared.co.uk/customer-service/warranty-registration/>

Within five years from date of purchase Herschel will repair or replace the heater where the fault is due to defects in materials or workmanship. In the event of a warranty claim please consult your local dealer and return the heater together with proof of purchase.

A prerequisite for validity of the warranty is use at the specified supply voltage of the heater and use in accordance with the conditions specified in this manual. Any further warranty or claims are excluded.

The warranty covers the repair or replacement of the defective product only and Herschel shall have no liability for installation costs or consequential losses however incurred.

Removing the serial number will void the warranty. The warranty will also be void if the heater has been tampered with or opened in any way.

The product power label must be left on the panels where they can be accessed after installation if necessary.

Herschel Infrared Ltd will assume no responsibility for scratches on surface or frames after first use.

Herschel Infrared Ltd cannot accept responsibility for damage, loss or injury caused by ingress of water or moisture, accidental damage, mishandling, external impact, adjustment by unauthorised personnel or failure to follow the correct maintenance and safety precautions as stated in the manual. Refer to Herschel Infrared Ltd's warranty policy for full details. See <https://www.herschel-infrared.co.uk>.

Note your serial number for future reference:

COMPLIANCE WITH ECODESIGN DIRECTIVE 2009/125/EC:

All Herschel Krystal heaters must be used with Herschel iQ controllers to comply with ErP Regulation 2015/1188 & Supplement 2016/2282 of the EcoDesign directive 2009/125.

Herschel is not responsible for any breach of the legislation where Krystal is used without the appropriate iQ controller.

Installed as fixed Electric Space Heaters

Seasonal space heating energy efficiency pre Lot 20 = 30%

Efficiency Under EC/2009/125 = 38 - 40% (depending on controls)

PANNEAUX COUVERTS PAR CES INSTRUCTIONS:

Panneaux noirs	Panneaux blancs	Puissance	Dimensions	Poids
Krystal-600-B	Krystal-600-W	600W, 220 – 240V, 50/60Hz	573 x 269 x 82mm	6.4kg
Krystal-1000-B	Krystal-1000-W	1000W, 220 – 240V, 50/60Hz	573 x 269 x 82mm	8.15kg

IMPORTANTES PRÉCAUTIONS DE SÉCURITÉ**LISEZ ATTENTIVEMENT CES INSTRUCTIONS ET CONSERVEZ-LES POUR RÉFÉRENCE ULTÉRIEURE.**

Le non-respect de ces instructions entraînera l'annulation de la garantie.
Ne pas démonter. Aucune pièce réparable par l'utilisateur à l'intérieur.

**AVERTISSEMENT****POUR RÉDUIRE LES RISQUES D'INCENDIE, DE CHOC ÉLECTRIQUE OU DE BLESSURE:**

1. Cet appareil doit être débranché de sa source d'alimentation pendant les activités d'installation ou d'entretien et lors du remplacement de pièces.
2. Le Krystal n'est pas équipé d'un dispositif intégré pour contrôler la température ambiante. S'il est destiné à être utilisé dans un espace clos à des fins de chauffage ambiant, il faut utiliser les commandes Herschel iQ. Si vous ne disposez pas d'un régulateur de température ambiante, **NE PAS** utiliser le Krystal pour chauffer des pièces occupées par des personnes incapables de quitter la pièce par leurs propres moyens, à moins qu'une surveillance constante ne soit assurée. Herschel n'est pas responsable de toute violation de la législation sur l'éco-conception ou la sécurité lorsque les radiateurs sont utilisés dans un espace clos sans l'utilisation d'un contrôleur Herschel iQ..
3. Pour éviter toute surchauffe et tout risque d'incendie, ne couvrez en aucun cas le radiateur. **NE PLACEZ PAS** le radiateur à moins de 1m de tout matériau inflammable (ex.: meubles, rideaux).
4. **NE TOUCHEZ PAS** le radiateur lorsqu'il est utilisé. Les températures de surface des radiateurs Krystal dépassent 250°C / 482°F. Tout contact avec l'appareil peut provoquer des brûlures et des blessures. Éteignez l'appareil et laissez-le refroidir pendant au moins 10 minutes avant de toucher une partie quelconque de l'appareil.
5. **NE PAS** faire fonctionner l'appareil si le cordon est endommagé ou après un dysfonctionnement de l'appareil, ou s'il est tombé ou a été endommagé de quelque manière que ce soit. Vérifiez que chaque appareil n'est pas endommagé avant de l'installer. Assurez-vous que l'appareil lui-même et son cordon d'alimentation ne présentent aucun signe visible de dommage. Si le cordon est endommagé, l'appareil doit être envoyé pour réparation à un revendeur agréé Herschel.
6. Cet appareil ne doit être utilisé que pour le chauffage de personnes ou de bâtiments. L'appareil ne doit pas être utilisé par des enfants ou des personnes dont les capacités physiques, sensorielles ou mentales sont réduites, ou qui manquent d'expérience ou de connaissances. Les enfants doivent être tenus à l'écart et ne doivent pas être laissés sans surveillance autour de l'appareil. **NE PAS** utiliser à l'extérieur.



Le produit est conforme aux normes de sécurité européennes Directive basse tension 2014/35/CE, EMC Directive 2014/30/CE, RoHS 2011/65/CE & Directive Ecoconception 2009/125/CE.

Traduction des instructions originales en anglais couvrant les appareils de chauffage Krystal fabriqués à partir de 10-2022

7. Tous les opérateurs ne doivent allumer/éteindre l'appareil qu'à condition qu'il ait été placé ou installé dans sa position de fonctionnement prévue, conformément à ces instructions. Les enfants ne doivent pas brancher, allumer ou régler l'appareil ou effectuer l'entretien de l'utilisateur, y compris le nettoyage.
8. Les panneaux Herschel sont conçus pour être utilisés avec une tension alternative comprise entre 220 et 240 volts, 50/60 Hz. Si votre tension d'alimentation dépasse 240 volts, n'utilisez pas l'appareil et adressez-vous à votre revendeur local. Le non-respect de cette consigne annule la garantie.
9. L'appareil doit être monté sur une surface ininflammable.

CONSERVEZ CES INSTRUCTIONS.

PROTECTION CONTRE LA PÉNÉTRATION DE L'EAU:

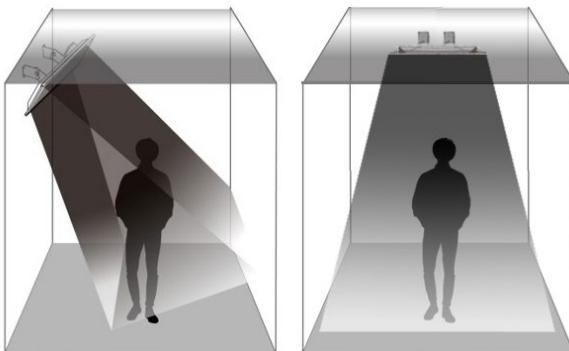
Les panneaux chauffants Krystal sont conformes à une norme (minimum IP44) leur permettant d'être placés dans la zone 2 d'une salle de bains. Cela signifie qu'ils peuvent être placés au-dessus d'un lavabo ou en dehors de toute zone d'éclaboussure, ou encore être installés au plafond. Ils ne peuvent pas être installés dans les zones 0 ou 1.

L'installation dans des pièces potentiellement humides ou mouillées, comme les salles de bains, doit être effectuée par un installateur qualifié et conforme aux exigences locales en matière de sécurité électrique. L'installation doit être telle que le radiateur ne puisse pas se détacher des accessoires et tomber dans une baignoire, une douche, une piscine ou tout autre récipient d'eau, et que les interrupteurs et autres commandes ne puissent pas être touchés par une personne dans une baignoire ou une douche.

En cas de doute, n'effectuez pas l'installation. Herschel Infrared Ltd ne peut être tenu pour responsable des pertes, dommages ou blessures causés ou résultant d'une installation inadéquate ou d'un placement incorrect des appareils de chauffage à proximité de sources d'eau.

POSITIONNEMENT:

Le Herschel Krystal est un panneau chauffant infrarouge. Il chauffe en transférant l'énergie directement du radiateur dans la pièce et son contenu. N'installez le radiateur qu'au plafond (en utilisant l'une des options de montage décrites ci-dessous) ou sur un mur au-dessus de 2,1 m et incliné vers le bas.



Veillez à ce que le radiateur ne soit pas obstrué par des objets ou à un endroit où il ne peut pas rayonner efficacement, par exemple au bord ou dans les coins d'une pièce. Les gros objets placés devant le radiateur chaufferont et peuvent empêcher une dispersion efficace de la chaleur dans la pièce. Si vous le pouvez, évitez de placer le radiateur en face des fenêtres et des portes ouvertes, car la chaleur pourrait les traverser et être moins efficace.

Il est probable que vous puissiez sentir la chaleur du chauffage jusqu'à une distance d'environ 3 mètres, mais au-delà, le chauffage continuera à rayonner. Plus vous êtes proche de l'appareil, plus l'intensité de la chaleur que vous ressentirez sera élevée.

La chaleur infrarouge se dispersera de la même manière que la lumière d'un panneau lumineux à LED. Si vous installez plusieurs panneaux dans une pièce, essayez d'imaginer que chaque panneau est une lumière et considérez comment la lumière " illumine " la pièce - vos appareils de chauffage chaufferont la pièce de la même manière.

Le Krystal atteint des températures élevées et il ne devrait jamais être possible de le toucher en fonctionnement normal. Ne placez jamais le radiateur à moins de 2,1 m (83") du sol et ne l'obstruez pas avec des meubles, des rideaux ou d'autres accessoires.

Pour le montage au plafond, la hauteur minimale recommandée est de 2,4 m en raison de l'intensité de la chaleur.

Les objets destinés à être placés en permanence devant un panneau doivent être éloignés d'au moins 1 m de l'avant de l'appareil en fonctionnement normal pour éviter toute accumulation de chaleur.

Les objets (et les coins des pièces) doivent être éloignés d'au moins 0,3 m des côtés du poêle. Cette distance doit également être respectée s'il est prévu d'encastrer le radiateur dans le mur ou le plafond. Le fait de ne pas assurer un espacement adéquat sur les côtés entraînera une accumulation de chaleur excessive derrière le poêle et annulera la garantie.

La distance entre les côtés du poêle et les côtés de tout poêle adjacent doit être d'au moins 1m (40"). Si l'espacement entre les radiateurs n'est pas suffisant, une chaleur excessive pourrait s'accumuler derrière les radiateurs et la garantie serait annulée.

INSTALLATION:



AVERTISSEMENT:

L'installation électrique ne doit être effectuée que par des électriciens certifiés.

Assurez-vous toujours que le câble d'alimentation ne peut pas toucher l'arrière de l'appareil et qu'il ne peut pas faire saillie dans la zone chauffée de l'appareil. Le câble d'alimentation peut être acheminé en toute sécurité loin de l'arrière de l'appareil en le fixant aux supports métalliques à l'aide de colliers de serrage.

Le câblage de cet appareil doit être raccordé conformément aux normes nationales de sécurité électrique en vigueur. Il s'agit d'un appareil de classe 1 qui doit être mis à la terre.

Lorsqu'il est placé dans des lieux publics, l'installation doit être conforme aux normes électriques locales en vigueur. Pour certains bâtiments publics tels que les écoles et les maisons de soins, les appareils de chauffage doivent être installés conformément à la législation spécifique à ces types de bâtiments.

L'alimentation électrique de l'appareil doit être assurée par le raccordement à un circuit protégé par un fusible ou un dispositif à courant résiduel (RCD) ou un disjoncteur de fuite à la terre (GFCI) adapté à la puissance électrique de l'appareil. Le contrôle de la température doit être effectué par un thermostat.

Code de couleur utilisé dans le câble d'alimentation fourni : Le fil MARRON doit être connecté à la phase ('L'), le fil BLEU au neutre ('N') et le fil VERT/JAUNE à la terre ('E').

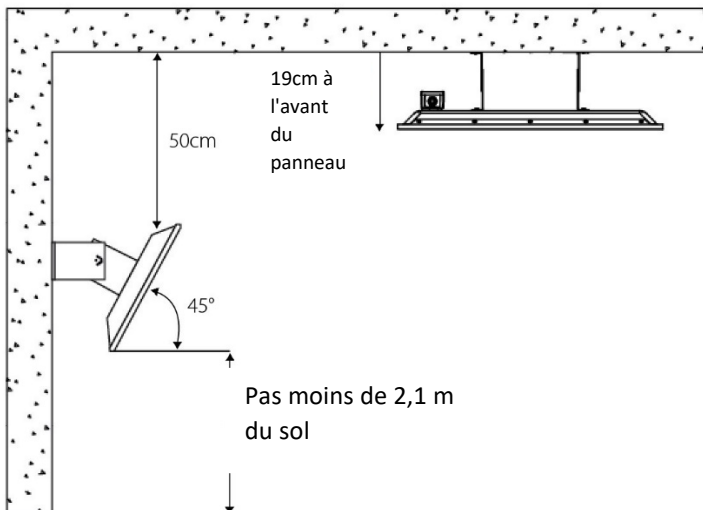
**ATTENTION:**

- Assurez-vous que l'alimentation secteur est coupée avant de commencer une installation impliquant un câblage fixe.
- Tout câblage fixe situé à l'extérieur de l'appareil et entrant en contact ou à proximité immédiate de l'appareil doit être protégé par une gaine dont la température nominale est d'au moins 90°C.
- Tout le câblage derrière l'appareil doit emprunter le chemin le plus court vers le bord de l'appareil.
- Si vous installez le poêle en angle (sur un toit en pente par exemple), le câble d'alimentation doit se trouver à l'extrémité la plus basse du poêle.
- **NE PAS** laisser le câble d'alimentation enroulé pendant le fonctionnement. Raccourcissez le câble d'alimentation si possible et ne placez pas l'excédent de câble à l'arrière de l'appareil.
- **NE PAS** effectuer de raccordements électriques derrière le poêle, que ce soit pour un montage mural ou au plafond.
- L'appareil ne doit pas être placé immédiatement sous une prise de courant, que ce soit pour un montage mural ou au plafond.
- **NE PAS** percer une partie quelconque du radiateur. Cela causerait des dommages irréparables et serait dangereux.
- **NE PAS** raccorder au réseau électrique un appareil endommagé de quelque manière que ce soit.

Installez le radiateur Krystal en utilisant uniquement le matériel de montage fourni et installez-le conformément au guide d'installation. Herschel Infrared Ltd ne peut être tenu responsable des dommages, pertes ou blessures causés par ou résultant d'une installation incorrecte de l'appareil. Herschel Infrared Ltd n'assumera aucune responsabilité pour les pertes indirectes, quelle qu'en soit la cause.

OPTIONS DE MONTAGE AU PLAFOND ET AU MUR

Montage au mur ou au plafond à l'aide des pattes pivotantes fournies.

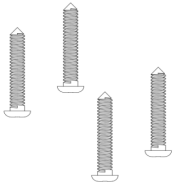


La quincaillerie comprend:

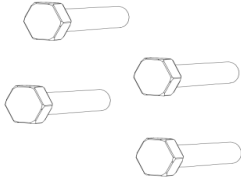
Petites vis autotaraudeuses x 4



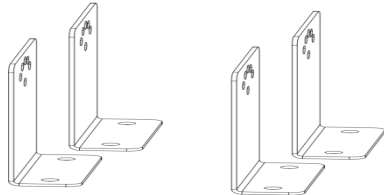
Vis autotaraudeuses PWA x 4



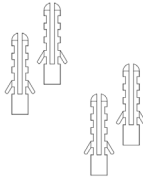
Boulons x 4



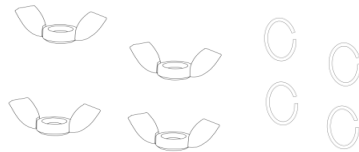
Support de l'appareil de chauffage x 4 (2 paires)



Bouchons Rawlplugs x 4

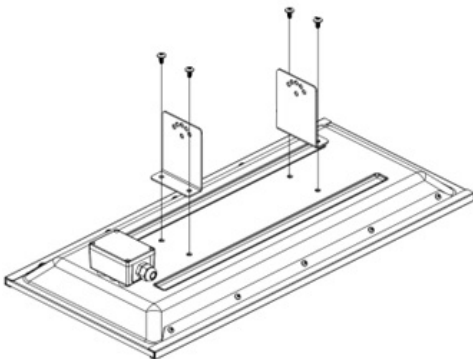


Ecrous papillon x 4 + Rondelle x4

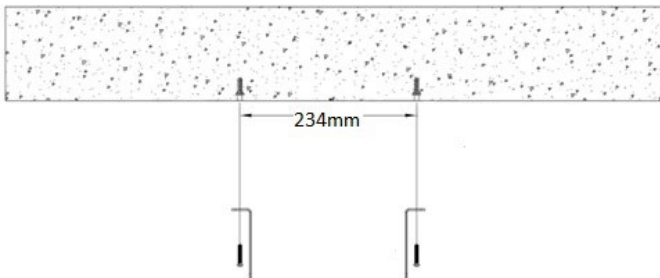


Etapes:

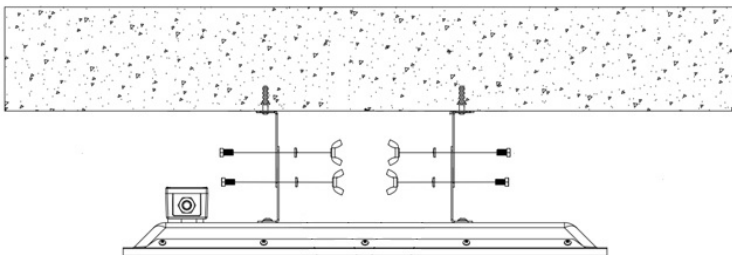
1. Utilisez 4 vis autotaraudeuses pour fixer deux supports à l'arrière de l'appareil de chauffage.



- Marquez sur le plafond ou le mur, à l'emplacement prévu, les quatre trous de perçage en utilisant les supports comme modèle (234 mm de distance et 50 mm entre les trous sur chaque support).



- Percez les 4 trous et insérez les chevilles fournies. Vissez l'autre moitié de la paire de supports au plafond ou au mur à l'aide des 4 vis à tôle longues fournies..
- Formez une charnière entre les supports à l'aide des 4 boulons, des 4 rondelles et des 4 écrous papillon et serrez les écrous papillon de manière à ce que l'angle de la charnière soit fixé et qu'il ne soit plus possible de la faire pivoter.



Les kits de montage encastré au plafond et les kits de montage en surface du plafond sont disponibles en tant qu'accessoires achetables séparément et contiennent des instructions pour le montage de l'appareil de chauffage à l'aide de ces méthodes alternatives.

PREMIÈRE UTILISATION:

Notez que le radiateur Krystal n'a pas de commandes intégrées ni d'interrupteur marche/arrêt. Dès qu'il est branché sur le secteur, il se réchauffe..

Assurez-vous que les systèmes de contrôle prévus sont en place et que l'appareil est hors tension avant d'effectuer les dernières connexions.

Le chauffe-eau peut émettre une petite odeur dans les premières minutes après la mise sous tension initiale. Ceci est normal et s'arrêtera après quelques minutes.

ENTRETIEN ET RÉPARATION:

Le panneau Herschel doit être installé, désinstallé, nettoyé ou transporté uniquement à froid.

NE PAS essayer de réparer ou de régler les fonctions électriques ou mécaniques de cet appareil. Cela annulerait votre garantie.

Les réparations doivent être effectuées uniquement par un partenaire de service agréé Herschel.

NETTOYAGE:

Avant d'essayer de nettoyer le panneau, débranchez l'appareil, isolez l'unité de l'alimentation électrique et laissez-la refroidir complètement.

NE PAS immerger le panneau chauffant Herschel dans l'eau ni le mouiller avec de l'eau.

Nettoyez la surface du radiateur avec un chiffon humide. Une fois la surface nettoyée, séchez-la avec un chiffon sec.

NE PAS appliquer de matériaux abrasifs, de solvants ou de chiffons à solvants sur la surface car cela pourrait causer des dommages irréparables.

Attendez que l'appareil soit complètement sec avant de l'utiliser.

ÉLIMINATION DES DÉCHETS:

L'appareil est un produit électrique et à la fin de sa vie utile, il doit être éliminé conformément aux réglementations locales.

GARANTIE:

Enregistrez votre produit ici:

<https://www.herschel-infrarouge.fr/service-clients/enregistrement-garantie/>

Dans un délai de cinq ans à compter de la date d'achat, Herschel s'engage à réparer ou à remplacer l'appareil si le défaut est dû à un vice de matériau ou de fabrication. En cas de demande de garantie, veuillez consulter votre revendeur local et renvoyer l'appareil avec la preuve d'achat. Une condition préalable à la validité de la garantie est l'utilisation de l'appareil à la tension d'alimentation spécifiée et son utilisation conformément aux conditions spécifiées dans ce manuel. Toute autre garantie ou réclamation est exclue. La garantie couvre uniquement la réparation ou le remplacement du produit défectueux et Herschel n'est pas responsable des coûts d'installation ou des pertes indirectes, quelle que soit leur nature. Le retrait du numéro de série annule la garantie. La garantie sera également annulée si l'appareil a été manipulé ou ouvert de quelque manière que ce soit.

L'étiquette d'alimentation du produit doit être laissée sur les panneaux afin de pouvoir y accéder après l'installation si nécessaire.

Herschel Infrared Ltd n'assume aucune responsabilité pour les rayures sur la surface ou les cadres après la première utilisation.

Herschel Infrared Ltd ne peut être tenu responsable des dommages, pertes ou blessures causés par la pénétration d'eau ou d'humidité, les dommages accidentels, la mauvaise manipulation, les chocs externes, le réglage par du personnel non autorisé ou le non-respect des précautions d'entretien et de sécurité indiquées dans le manuel. Consultez la politique de garantie d'Herschel Infrared Ltd pour plus de détails. Voir <https://www.herschel-infrarouge.fr/>.

Notez votre numéro de série pour toute référence ultérieure:

CONFORMITÉ À LA DIRECTIVE 2009/125/CE SUR L'ÉCOCONCEPTION:

Tous les appareils de chauffage Herschel Krystal doivent être utilisés avec les contrôleurs Herschel iQ pour être conformes au règlement ErP 2015/1188 et au complément 2016/2282 de la directive EcoDesign 2009/125.

Herschel n'est pas responsable de toute violation de la législation où Krystal est utilisé sans le contrôleur iQ approprié.

Installés en tant que radiateurs électriques fixes

Effacité énergétique saisonnière pour le chauffage des locaux avant le lot 20 = 30 %

Effacité selon EC/2009/125 = 38 - 40 % (selon les contrôles)

PANELEN WAAROP DEZE INSTRUCTIES BETREKKING HEBBEN:

Zwarte panelen	Witte panelen	Stroom	Afmetingen	Gewicht
Krystal-600-B	Krystal-600-W	600W, 220 – 240V, 50/60Hz	573 x 269 x 82mm	6.4kg
Krystal-1000-B	Krystal-1000-W	1000W, 220 – 240V, 50/60Hz	573 x 269 x 82mm	8.15kg

BELANGRIJKE VEILIGHEIDSMATREGELEN**LEES DEZE INSTRUCTIES ZORGVULDIG EN
BEWAAR ZE VOOR TOEKOMSTIG GEBRUIK.**

Het niet naleven van deze instructies maakt de garantie ongeldig.
Niet uit elkaar halen. Geen door de gebruiker te onderhouden onderdelen binnenin.

**WAARSCHUWING****OM HET RISICO VAN BRAND, ELEKTRISCHE SCHOKKEN OF LETSEL TE
BEPERKEN:**

1. Dit apparaat moet tijdens installatie- of onderhoudswerkzaamheden en bij het vervangen van.
2. De Krystal is niet uitgerust met een geïntegreerd apparaat om de kamertemperatuur te regelen. Indien bedoeld voor gebruik in een gesloten ruimte ten behoeve van ruimteverwarming, moeten Herschel iQ regelingen worden gebruikt. Als u geen kamertemperatuurregelaar monteert, gebruik het apparaat dan NIET voor ruimteverwarming wanneer kamers worden bewoond door mensen die niet in staat zijn de kamer zelfstandig te verlaten, tenzij er voortdurend toezicht is. Herschel is niet verantwoordelijk voor overtreding van EcoDesign of Veiligheidswetgeving wanneer de verwarmers in een afgesloten ruimte worden gebruikt zonder gebruik van een Herschel iQ regelaar.
3. Om oververhitting en mogelijk brandgevaar te voorkomen, dient u de heater onder geen beding af te dekken. Plaats de verwarming NIET binnen 1m van brandbare materialen (bijv. meubels, gordijnen).
4. Raak de verwarmers NIET aan wanneer deze in gebruik is. De oppervlaktetemperaturen van Krystal-verwarmers zijn hoger dan 250°C / 482°F. Contact met het verwarmingselement kan brandwonden en letsel veroorzaken. Schakel het verwarmingselement uit en laat het minstens 10 minuten afkoelen voordat u enig deel ervan aanraakt.
5. Gebruik de verwarmers NIET als het snoer beschadigd is, als de verwarmers niet goed functioneert of als hij gevallen of beschadigd is. Controleer elk verwarmingselement op beschadigingen voordat u het installeert. Controleer of het verwarmingsapparaat zelf en het netsnoer geen zichtbare tekenen van schade vertonen. Als het snoer beschadigd is, moet het apparaat ter reparatie naar een erkende Herschel-dealer worden gestuurd.
6. Deze heater mag alleen gebruikt worden voor het verwarmen van personen of gebouwen. De verwarming mag niet gebruikt worden door kinderen of personen met verminderde fysieke, zintuiglijke of mentale mogelijkheden, of gebrek aan ervaring of kennis. Kinderen moeten uit de buurt worden gehouden en mogen niet zonder toezicht in de buurt van de unit worden achtergelaten. NIET buitenshuis gebruiken.
7. Alle gebruikers mogen het apparaat alleen in- en uitschakelen als het in overeenstemming met deze instructies is geplaatst of geïnstalleerd in de beoogde gebruikssituatie. Kinderen mogen het apparaat niet aansluiten, aanzetten of regelen en geen gebruikersonderhoud uitvoeren, inclusief schoonmaken.



Het product voldoet aan de Europese veiligheidsnormen: Laagspanningsrichtlijn 2014/35/EC, EMC-richtlijn 2014/30/EC, RoHS 2011/65/EG en de Ecodesign-richtlijn 2009/125/EG.

Vertaling van originele instructies in het Engels die betrekking hebben op Krystal-verwarmers die zijn geproduceerd vanaf 10-2022.

- Herschel panelen zijn ontworpen voor gebruik met een wisselspanning tussen 220-240 volt, 50/60 Hz AC. Als uw netspanning hoger is dan 240 volt, gebruik het toestel dan niet en neem contact op met uw plaatselijke dealer. Als u zich hier niet aan houdt, vervalt de garantie.
- De verw warmer moet op een niet-ontvlambaar oppervlak worden gemonteerd.

BEWAAR DEZE INSTRUCTIES.

BESCHERMING TEGEN BINNENDRINGEND WATER:

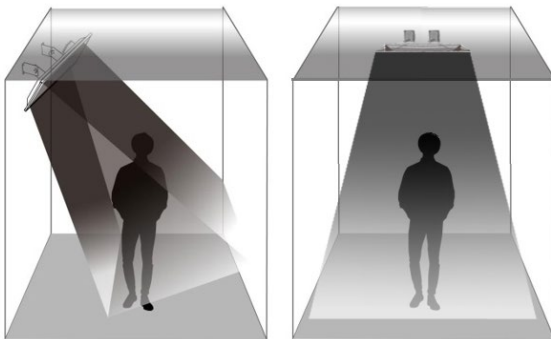
Krystal verwarmingspanelen hebben een norm (minimaal IP44) waardoor ze in zone 2 van een badkamer geplaatst kunnen worden. Dit betekent dat ze boven een wastafel of buiten eventuele spatzones geplaatst kunnen worden, of aan het plafond geïnstalleerd kunnen worden. Ze kunnen niet worden geïnstalleerd in zone 0 of 1.

Installatie in potentieel natte of vochtige ruimtes zoals badkamers moet worden uitgevoerd door een gekwalificeerde installateur en moet voldoen aan de plaatselijke elektrische veiligheidsvoorschriften. De installatie moet zodanig zijn dat het verwarmingsapparaat niet los kan raken van de fittingen en in een badkuip, douche, zwembad of andere waterbak kan vallen, en dat schakelaars en andere bedieningselementen niet kunnen worden aangeraakt door een persoon in een bad of douche.

In geval van twijfel niet installeren. Herschel Infrared Ltd is niet aansprakelijk voor enig verlies, schade of letsel veroorzaakt of resulterend uit onjuiste montage of onjuiste plaatsing van verwarmers in de buurt van waterbronnen.

POSITIONERING:

De Herschel Krystal is een infrarood paneelverwarming. Hij verwarmt door energie rechtstreeks van de heater over te brengen naar de kamer en de inhoud ervan. Installeer de verw warmer alleen aan het plafond (met een van de hieronder beschreven montage mogelijkheden) of aan een muur boven 2,1m en schuin naar beneden.



Zorg ervoor dat de verwarming niet wordt geblokkeerd door voorwerpen of op plaatsen waar hij niet effectief kan uitstralen, zoals aan de rand of in de hoeken van een kamer. Grote voorwerpen die voor de verwarming zijn geplaatst, worden warm en kunnen een effectieve warmteverspreiding in de kamer verhinderen. Plaats de verwarming indien mogelijk niet tegenover ramen en open deuropeningen, waar de warmte doorheen kan gaan en minder effectief is.

U kunt de warmte van de verwarming waarschijnlijk voelen tot op een afstand van ongeveer 3 m, maar daarna blijft de verwarming warmte uitstralen. Hoe dicht u zich bij de verwarming bevindt, hoe meer warmte u zult voelen.

NEDERLANDS

Infrarood warmte verspreidt zich op dezelfde manier als het licht van een LED paneel. Als u meerdere panelen in een kamer installeert, probeer u dan voor te stellen dat elk paneel een licht is en bedenk hoe het licht de kamer "verlicht" - uw verwarmers zullen de kamer op dezelfde manier verwarmen.

De Krystal bereikt hoge temperaturen en bij normaal gebruik zou het nooit mogelijk moeten zijn om hem aan te raken. Plaats de heater nooit lager dan 2,1 m (83") van de grond en blokkeer hem niet met meubels, gordijnen of andere accessoires.

Voor plafondmontage is de aanbevolen minimale plafondhoogte 2,4 m vanwege de intensiteit van de warmte.

Forwerpen die bestemd zijn om permanent voor een paneel te worden geplaatst, moeten tijdens de normale werking ten minste 1 m van de voorkant van het toestel verwijderd blijven om warmteontwikkeling te voorkomen.

Forwerpen (en hoeken van kamers) moeten ten minste 0,3 m verwijderd blijven van de zijkanten van de heater. Deze afstand moet ook worden aangehouden als de heater moet worden ingebouwd in de muur of het plafond. Het niet voorzien in voldoende afstand tussen de zijkanten zal leiden tot overmatige warmteontwikkeling achter de heater en zal de garantie doen vervallen.

De afstand tussen de zijkanten van de heater en de zijkanten van een aangrenzende heater moet minstens 1m (40") bedragen. Het niet voorzien van voldoende afstand tussen de heaters kan leiden tot overmatige warmteontwikkeling achter de heaters en maakt de garantie ongeldig.

INSTALLATIE:



WAARSCHUWING:

De elektrische installatie mag alleen worden uitgevoerd door gecertificeerde elektriciens.

Zorg er altijd voor dat de voedingskabel de achterkant van het apparaat niet kan raken en niet in het verwarmde gedeelte van het apparaat kan uitsteken. De voedingskabel kan veilig van de achterkant van het apparaat worden weggeleid door deze met kabelbinders aan de metalen beugels vast te maken.

De bedrading van dit apparaat moet worden aangesloten volgens de geldende nationale elektrische veiligheidsnormen. Dit is een apparaat van klasse 1 en moet worden geaard.

Bij plaatsing in openbare ruimten moet de installatie voldoen aan de geldende plaatselijke elektrische voorschriften. Voor sommige openbare gebouwen, zoals scholen en verzorgingstehuizen, moeten de verwarmers worden geïnstalleerd in overeenstemming met de specifieke wetgeving voor dit soort gebouwen.

De elektrische voeding van het apparaat dient te worden verzekerd door aansluiting op een circuit dat wordt beschermd door een zekering of een aardlekschakelaar (RCD) of een aardlekschakelaar (GFCI) die geschikt is voor het elektrische vermogen van het apparaat. De temperatuur moet worden geregeld door een thermostaat.

Kleurcode van de meegeleverde voedingskabel: BRUINE draad moet worden aangesloten op fase ('L'), BLAUWE draad op neutraal ('N') en GROENE/GELE draad op aarde ('E').

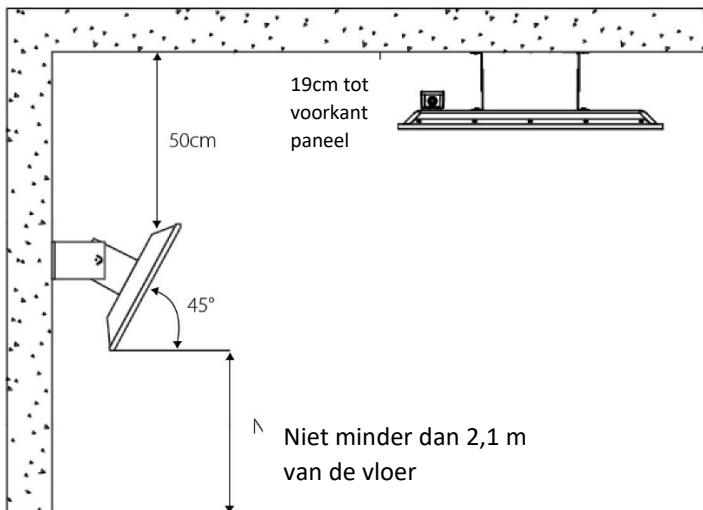
**LET OP:**

- Zorg ervoor dat de netvoeding is uitgeschakeld voordat u begint met een installatie met vaste bedrading.
- Alle vaste bedrading buiten het apparaat die in contact komt met het apparaat of zich in de nabijheid ervan bevindt, moet worden beschermd door een mantel met een temperatuur van ten minste 90°C.
- Alle bedrading achter het toestel moet via de kortste weg naar de rand van het toestel lopen.
- Indien u de heater onder een hoek installeert (bv. op een hellend dak), moet de voedingskabel zich aan het laagste uiteinde van de heater bevinden.
- Laat de voedingskabel **NIET** opgerold tijdens de werking. Kort de voedingskabel in indien mogelijk en plaats de overtollige kabel niet aan de achterkant van het toestel.
- Maak **NIET** de elektrische aansluitingen achter de heater, noch voor wand- noch voor plafondmontage.
- Het apparaat mag niet direct onder een stopcontact worden geplaatst, noch bij wand- noch bij plafondmontage.
- Boor **NIET** door een deel van het verwarmingselement heen. Dit veroorzaakt onherstelbare schade en is gevaarlijk.
- Sluit een apparaat dat beschadigd is **NIET** aan op het elektriciteitsnet.

Installeer de Krystal heater alleen met de meegeleverde bevestigingsmaterialen en installeer hem volgens de installatiehandleiding. Herschel Infrared Ltd kan niet aansprakelijk worden gesteld voor schade, verlies of letsel veroorzaakt door of als gevolg van een onjuiste installatie van de unit. Herschel Infrared Ltd aanvaardt geen aansprakelijkheid voor gevolgschade door welke oorzaak dan ook.

PLAFOND- EN WANDMONTAGE OPTIES

Montage au mur ou au plafond à l'aide des pattes pivotantes fournies.

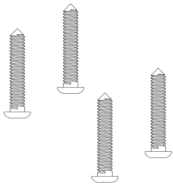


De hardware omvat:

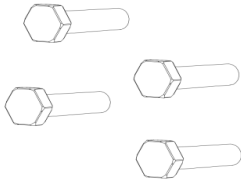
Kleine zelftappende schroeven x 4



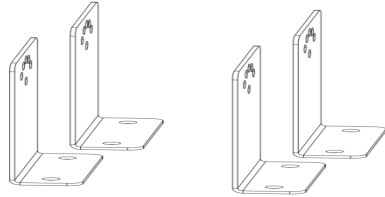
PWA zelftappende schroeven x 4



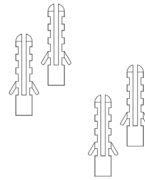
Bouten x 4



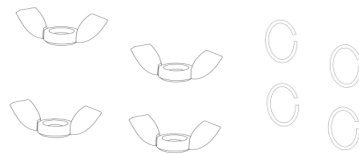
Verwarmingsbeugel x 4 (2 paar)



Rawplugs x 4

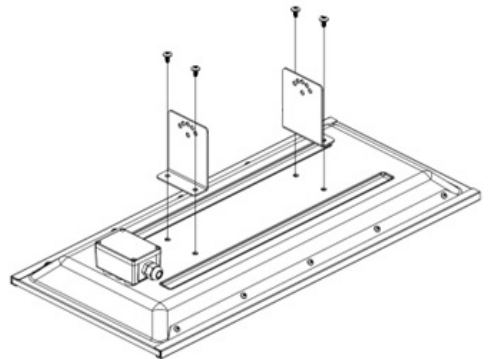


Vleugelmoeren x 4 + sluitring x 4

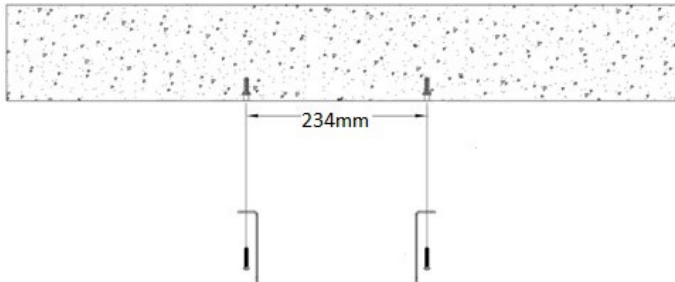


Stappen:

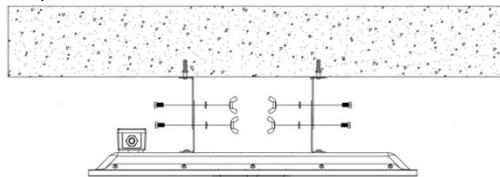
1. Utilisez 4 vis autotaraudeuses pour fixer deux supports à l'arrière de l'appareil de chauffage.
2. Marquez sur le plafond ou le mur, à l'emplacement prévu, les quatre trous de perçage en utilisant les supports comme modèle (234 mm de distance et 50 mm entre les trous sur chaque support).



3. Percez les 4 trous et insérez les chevilles fournies. Vissez l'autre moitié de la paire de supports au plafond ou au mur à l'aide des 4 vis à tôle longues fournies.



4. Formez une charnière entre les supports à l'aide des 4 boulons, des 4 rondelles et des 4 écrous papillon et serrez les écrous papillon de manière à ce que l'angle de la charnière soit fixé et qu'il ne soit plus possible de la faire pivoter.



Kits voor plafondbouwmontage en kits voor opbouwmontage aan het plafond zijn verkrijgbaar als apart verkrijgbare accessoires en bevatten instructies voor het monteren van de verwarming met behulp van deze alternatieve methoden.

EERSTE GEBRUIK:

De Krystal heater heeft geen ingebouwde bediening of aan/uit schakelaar. Zodra hij op het lichtnet is aangesloten, warmt hij op.

Zorg ervoor dat de bedieningselementen op hun plaats zitten en dat de verwarming is uitgeschakeld voordat u de laatste aansluitingen maakt.

De verwarming kan de eerste paar minuten na het inschakelen een kleine geur verspreiden. Dit is normaal en stopt na een paar minuten.

ONDERHOUD EN REPARATIE:

Het Herschel-paneel mag alleen in koude toestand worden geïnstalleerd, gedemonteerd, gereinigd of vervoerd. Probeer **NIET** de elektrische of mechanische functies van dit toestel te repareren of aan te passen. Hierdoor vervalt uw garantie. Reparaties mogen alleen worden uitgevoerd door een erkende Herschel servicepartner.

REINIGING:

Voordat u probeert het paneel schoon te maken, moet u de stekker uit het stopcontact halen, het apparaat van de stroomvoorziening scheiden en het volledig laten afkoelen.

Dompel de Herschel paneelverwarming **NIET** onder in water of maak hem nat met water.

Reinig het oppervlak van het verwarmingselement met een vochtige doek. Zodra het oppervlak schoon is, droogt u het met een droge doek.

Gebruik **GEEN** schurende materialen, oplosmiddelen of oplosbare doeken op het oppervlak, omdat dit onherstelbare schade kan veroorzaken.

Wacht tot het toestel volledig droog is alvorens het te gebruiken.

AFVALVERWIJDERING:

Het apparaat is een elektrisch product en moet aan het einde van zijn levensduur volgens de plaatselijke voorschriften worden afgevoerd.

GARANTIE:

Registreer uw product hier: <https://www.herschel-infrarood.nl/klantenservice/garantie-registratie/>

Binnen vijf jaar na aankoop zal Herschel het apparaat repareren of vervangen als het defect te wijten is aan materiaal- of fabricagefouten. In geval van een garantieclaim dient u contact op te nemen met uw plaatselijke dealer en het toestel met het aankoopbewijs terug te sturen.

Een voorwaarde voor de geldigheid van de garantie is dat het apparaat wordt gebruikt met de aangegeven voedingsspanning en wordt gebruikt in overeenstemming met de in deze handleiding aangegeven voorwaarden. Elke andere garantie of claim is uitgesloten.

De garantie dekt alleen de reparatie of vervanging van het defecte product en Herschel is niet verantwoordelijk voor installatiekosten of gevolgschade van welke aard dan ook.

Bij verwijdering van het serienummer vervalt de garantie. De garantie vervalt ook als er met het apparaat is geknoeid of het op enigerlei wijze is geopend.

Het vermogenslabel van het product moet op de panelen blijven zitten, zodat u er na de installatie zo nodig bij kunt.

Herschel Infrared Ltd aanvaardt geen verantwoordelijkheid voor krassen op het oppervlak of de frames na het eerste gebruik.

Herschel Infrared Ltd kan niet aansprakelijk worden gesteld voor schade, verlies of letsel veroorzaakt door het binnendringen van water of vocht, accidentele schade, verkeerd gebruik, externe schokken, afstelling door onbevoegd personeel of het niet opvolgen van de onderhouds- en veiligheidsvoorschriften in de handleiding. Zie het garantiebeleid van Herschel Infrared Ltd voor meer informatie. Zie <https://www.herschel-infrarood.nl/>

Noteer uw serienummer voor toekomstige referentie:

NALEVING VAN RICHTLIJN 2009/125/EG INZAKE ECOLOGISCH ONTWERP:

Alle Herschel Krystal kachels moeten worden gebruikt met Herschel iQ-controllers om te voldoen aan de ERP-verordening 2015/1188 & Supplement 2016/2282 van de EcoDesign-richtlijn 2009/125.

Herschel is niet verantwoordelijk voor enige schending van de wetgeving waarbij Krystal wordt gebruikt zonder de juiste iQ-controller.

Ikheb als vaste elektrische ruimteverwarmingstoestellen

Seizoensgebonden energie-efficiëntie voor ruimteverwarming vóór lot 20 = 30%

Efficiëntie onder EG/2009/125

= 38 - 40% (afhankelijk van controles)

PANELEE, DIE VON DIESER ANLEITUNG ERFASST WERDEN:

Schwarze Paneele	Weißer Paneele	Leistung	Abmessungen	Gewicht
Krystal-600-B	Krystal-600-W	600W, 220 – 240V, 50/60Hz	573 x 269 x 82mm	6.4kg
Krystal-1000-B	Krystal-1000-W	1000W, 220 – 240V, 50/60Hz	573 x 269 x 82mm	8.15kg

WICHTIGE SICHERHEITSVORKEHRUNGEN

**LESEN SIE DIESE ANLEITUNG SORGFÄLTIG
DURCH UND BEWAHREN SIE SIE ZUM
SPÄTEREN NACHSCHLAGEN AUF.**

Die Nichtbeachtung dieser Anweisungen führt zum Erlöschen der Garantie.

Nicht demontieren. Keine vom Benutzer zu wartenden Teile im Inneren.

**WARNUNG****UM DIE GEFAHR VON BRÄNDEN, STROMSCHLÄGEN ODER VERLETZUNGEN ZU VERRINGERN:**

1. Dieses Gerät muss während der Installation, der Wartung und des Austauschs von der Stromquelle getrennt werden.
2. Der Krystal ist nicht mit einer integrierten Vorrichtung zur Regelung der Raumtemperatur ausgestattet. Wenn er für die Verwendung in einem geschlossenen Raum zum Zwecke der Raumheizung vorgesehen ist, muss eine Herschel iQ Steuerung verwendet werden. Wenn Sie keinen Raumtemperaturregler einbauen, verwenden Sie den Krystal NICHT zum Heizen von Räumen, die von Personen bewohnt werden, die nicht in der Lage sind, den Raum selbständig zu verlassen, es sei denn, es wird eine ständige Aufsicht gewährleistet. Herschel ist nicht verantwortlich für Verstöße gegen die Ökodesign- oder Sicherheitsvorschriften, wenn die Heizgeräte in einem geschlossenen Raum ohne Verwendung eines Herschel iQ-Reglers verwendet werden.
3. Um Überhitzung und mögliche Brandgefahr zu vermeiden, darf das Heizgerät unter keinen Umständen abgedeckt werden. Stellen Sie das Heizgerät NICHT innerhalb von 1m von brennbaren Materialien (z. B. Möbel, Vorhänge) auf.
4. Berühren Sie das Heizgerät NICHT, wenn es in Betrieb ist. Die Oberflächentemperaturen von Krystal-Heizgeräten überschreiten 250°C / 482°F. Der Kontakt mit dem Heizgerät kann zu Verbrennungen und Verletzungen führen. Schalten Sie das Heizgerät aus und lassen Sie es mindestens 10 Minuten abkühlen, bevor Sie es berühren.
5. Nehmen Sie das Heizgerät NICHT in Betrieb, wenn das Kabel beschädigt ist oder wenn das Heizgerät eine Funktionsstörung aufweist oder wenn es fallen gelassen oder in irgendeiner Weise beschädigt wurde. Überprüfen Sie jedes Heizgerät vor dem Einbau auf Schäden. Vergewissern Sie sich, dass das Heizgerät selbst und sein Netzkabel keine sichtbaren Schäden aufweisen. Wenn das Kabel beschädigt ist, muss das Gerät zur Reparatur an einen Herschel-Vertragshändler geschickt werden.
6. Dieses Heizgerät darf nur zum Heizen von Personen oder Gebäuden verwendet werden. Das Heizgerät darf nicht von Kindern oder Personen mit eingeschränkten körperlichen, sensorischen oder geistigen Fähigkeiten oder mangelnder Erfahrung oder Kenntnis benutzt werden. Kinder sollten ferngehalten



Das Produkt entspricht den europäischen Sicherheitsstandards: Niederspannungsrichtlinie 2014/35/EG, EMV-Richtlinie 2014/30/EG, RoHS 2011/65/EC und die Ökodesign-Richtlinie 2009/125/EC. Originalanleitung in englischer Sprache für Krystal-Heizungen, die ab 10-2022 hergestellt wurden.

werden und nicht unbeaufsichtigt in der Nähe des Gerätes gelassen werden. NICHT im Freien verwenden.

7. Alle Bediener dürfen das Gerät nur dann ein- und ausschalten, wenn es in Übereinstimmung mit dieser Anleitung in der vorgesehenen Betriebsposition aufgestellt oder installiert wurde. Kinder dürfen das Gerät nicht einstecken, einschalten oder regulieren und keine Wartungsarbeiten, einschließlich der Reinigung, durchführen.
8. Herschel Paneele sind für den Gebrauch mit einer Wechselspannung zwischen 220-240 Volt, 50/60 Hz AC ausgelegt. Wenn Ihre Netzspannung 240 Volt übersteigt, verwenden Sie das Gerät nicht und wenden Sie sich an Ihren Händler vor Ort. Bei Nichteinhaltung erlischt die Garantie.
9. Das Heizgerät muss auf einer nicht brennbaren Oberfläche montiert werden.

BEWAHREN SIE DIESE ANLEITUNG AUF.

SCHUTZ VOR EINDRINGENDEM WASSER:

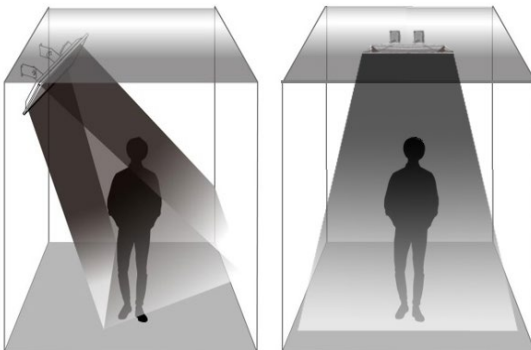
Die Krystal-Heizpaneele entsprechen einem Standard (mindestens IP44), der es ermöglicht, sie innerhalb der Zone 2 in einem Badezimmer aufzustellen. Das bedeutet, dass sie über einem Waschbecken oder außerhalb von Spritzwasserzonen angebracht werden können, oder sie können an der Decke installiert werden. Sie können nicht in den Zonen 0 oder 1 installiert werden.

Die Installation in potenziell nassen oder feuchten Räumen, wie z. B. Badezimmern, muss von einem entsprechend qualifizierten Installateur durchgeführt werden und den örtlichen elektrischen Sicherheitsanforderungen entsprechen. Die Installation muss so erfolgen, dass das Heizgerät sich nicht von den Armaturen lösen und in eine Badewanne, eine Dusche, ein Schwimmbecken oder einen anderen Wasserbehälter fallen kann und dass Schalter und andere Bedienelemente nicht von einer Person in einer Badewanne oder Dusche berührt werden können.

Im Zweifelsfall darf das Gerät nicht installiert werden. Herschel Infrared Ltd haftet nicht für Verluste, Schäden oder Verletzungen, die durch unzureichende Montage oder falsche Platzierung der Heizgeräte in der Nähe von Wasserquellen verursacht werden.

AUFSTELLUNG:

Der Herschel Krystal ist ein Infrarot-Flächenheizgerät. Er heizt, indem er die Energie direkt vom Heizgerät in den Raum und dessen Inhalt überträgt. Installieren Sie den Heizstrahler nur an der Decke (unter Verwendung einer der unten beschriebenen Montagemöglichkeiten) oder an einer Wand über 2,1 m und mit einem Winkel nach unten.



Achten Sie darauf, dass das Heizgerät nicht durch Gegenstände behindert wird oder an Stellen steht, an denen es nicht effektiv abstrahlen kann, z. B. am Rand oder in den Ecken eines Raums. Große Gegenstände, die vor dem Heizgerät platziert werden, heizen sich auf und können eine effektive Wärmeabgabe in den Raum verhindern. Vermeiden Sie es nach Möglichkeit, das Heizgerät gegenüber von Fenstern und offenen Türen aufzustellen, da die Wärme durch diese hindurchgehen und weniger wirksam sein könnte.

DEUTSCH

Sie werden die Wärme des Heizgeräts wahrscheinlich bis zu einer Entfernung von etwa 3 m spüren, aber darüber hinaus strahlt es die Wärme weiter ab. Je näher Sie sich am Heizgerät befinden, desto intensiver ist die Wärme, die Sie spüren.

Die Infrarotwärme verteilt sich auf die gleiche Weise wie das Licht einer LED-Leuchte. Wenn Sie mehrere Paneele in einem Raum installieren, stellen Sie sich vor, dass jedes Paneel eine Leuchte ist, und überlegen Sie, wie das Licht den Raum "beleuchten" würde - Ihre Heizgeräte werden den Raum auf ähnliche Weise erwärmen.

Der Kristall erreicht hohe Temperaturen und sollte im Normalbetrieb niemals berührt werden können. Stellen Sie das Heizgerät niemals tiefer als 2,1 m (83 Zoll) über dem Boden auf und versperren Sie es nicht mit Möbeln, Vorhängen oder anderen Einrichtungsgegenständen.

Für die Deckenmontage beträgt die empfohlene Mindestdeckenhöhe aufgrund der Wärmeintensität 2,4 m.

Gegenstände, die dauerhaft vor einem Paneel platziert werden sollen, müssen im Normalbetrieb mindestens 1 m von der Vorderseite des Heizgeräts entfernt sein, um einen Hitzestau zu vermeiden.

Gegenstände (und Raumecken) sollten mindestens 0,3 m von den Seiten des Heizgerätes entfernt sein. Dieser Abstand muss auch eingehalten werden, wenn das Heizgerät in die Wand oder Decke eingelassen werden soll. Wird dieser Abstand nicht eingehalten, staut sich die Wärme hinter dem Heizgerät und die Garantie erlischt.

Der Abstand zwischen den Seiten des Heizgeräts und den Seiten eines benachbarten Heizgeräts muss mindestens 1 m (40") betragen. Wird kein ausreichender Abstand zwischen den Heizgeräten eingehalten, kann sich hinter den Heizgeräten eine übermäßige Hitze entwickeln, was zum Erlöschen der Garantie führt.

INSTALLATION:



WARNUNG:

Die Elektroinstallation sollte nur von zertifizierten Elektrikern durchgeführt werden.

Achten Sie immer darauf, dass das Stromkabel die Rückseite des Heizgeräts nicht berührt und nicht in den beheizten Bereich des Heizgeräts hineinragt. Das Stromkabel kann sicher von der Rückseite des Heizgeräts weggeführt werden, indem es mit Kabelbindern an den Metallhalterungen befestigt wird.

Die Verkabelung dieses Geräts muss in Übereinstimmung mit den einschlägigen nationalen elektrischen Sicherheitsnormen erfolgen. Es handelt sich um ein Gerät der Klasse 1 und muss geerdet werden.

Bei der Aufstellung in öffentlichen Bereichen muss die Installation den einschlägigen lokalen elektrischen Normen entsprechen. In bestimmten öffentlichen Gebäuden wie Schulen und Pflegeheimen müssen die Heizgeräte gemäß den für diese Gebäudetypen geltenden Vorschriften installiert werden.

Die Stromversorgung des Geräts sollte durch Anschluss an einen Stromkreis erfolgen, der durch eine Sicherung oder einen Fehlerstromschutzschalter (RCD) oder einen FI-Schutzschalter (GFCI) geschützt ist, der für die elektrische Leistung des Geräts geeignet ist. Die Temperaturregelung muss über einen Thermostat erfolgen.

Farbcodierung des mitgelieferten Netzkabels: Das BRAUNE Kabel ist mit dem LEBENDIGEN ('L'), das BLAUE Kabel mit dem NEUTRALEN ('N') und das GRÜNE/GELBE Kabel mit der ERDE ('E') zu verbinden.

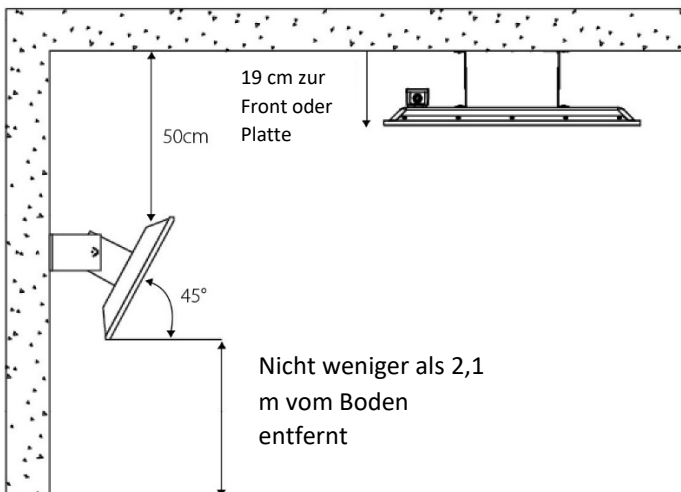
**VORSICHT:**

- Vergewissern Sie sich, dass die Netzspannung ausgeschaltet ist, bevor Sie mit der Installation einer festen Verkabelung beginnen.
- Jede feste Verkabelung außerhalb des Heizgeräts, die mit dem Heizgerät in Berührung kommt oder sich in unmittelbarer Nähe des Geräts befindet, muss durch eine Ummantelung mit einer Temperaturbeständigkeit von mindestens 90°C geschützt werden.
- Die gesamte Verkabelung hinter dem Gerät muss auf dem kürzesten Weg zur Kante des Heizgeräts verlaufen.
- Wird das Heizgerät schräg eingebaut (z. B. auf einer Dachschräge), muss das Versorgungskabel am untersten Ende des Heizgerätes verlegt werden.
- Lassen Sie das Stromkabel im Betrieb **NICHT** aufgewickelt. Kürzen Sie das Stromkabel, wenn möglich, und verlegen Sie überschüssiges Kabel nicht auf der Rückseite des Heizgeräts.
- Nehmen Sie **KEINE** elektrischen Anschlüsse hinter dem Heizgerät vor, weder bei Wand- noch bei Deckenmontage.
- Das Heizgerät darf weder an der Wand noch an der Decke unmittelbar unter einer Steckdose angebracht werden.
- Bohren Sie **NICHT** durch irgendein Teil des Heizgeräts. Dies führt zu irreparablen Schäden und ist gefährlich.
- Schließen Sie ein Heizgerät, das in irgendeiner Weise beschädigt ist, **NICHT** an das Stromnetz an.

Installieren Sie den Krystal-Heizstrahler nur mit dem mitgelieferten Befestigungsmaterial und in Übereinstimmung mit der Installationsanleitung. Herschel Infrared Ltd. kann keine Verantwortung für Schäden, Verluste oder Verletzungen übernehmen, die durch falsch installierte Heizgeräte verursacht wurden oder daraus resultieren. Herschel Infrared Ltd. übernimmt keine Haftung für Folgeschäden, wie auch immer diese entstanden sind.

OPTIONEN FÜR DIE DECKEN- UND WANDMONTAGE

Wand- oder Deckenmontage mit den mitgelieferten schwenkbaren Halterungen.

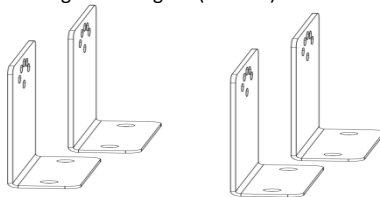


Enthaltene Hardware:

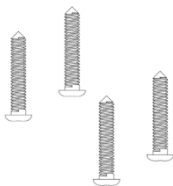
Kleine selbstschneidende Schrauben x 4



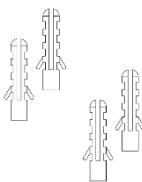
Heizungshalterung x 4 (2 Paare)



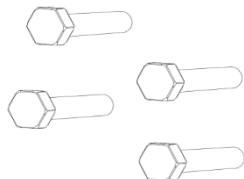
PWA-Schneidschrauben x 4



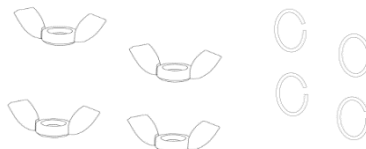
Verschlussstopfen x 4



Bolzen x 4

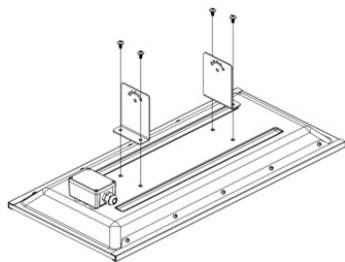


Flügelmuttern x 4 + Unterlegscheibe x 4



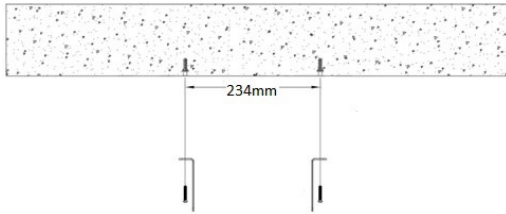
Schritte:

1. Verwenden Sie 4 selbstschneidende Schrauben, um zwei Halterungen an der Rückseite des Heizgerätes zu befestigen.

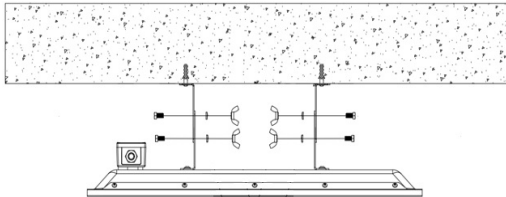


2. Markieren Sie die vier Bohrlöcher an der Decke oder Wand in der vorgesehenen Position, indem Sie die Halterungen als Schablone verwenden (234 mm Abstand und 50 mm zwischen den Löchern an jeder Halterung).

DEUTSCH



3. Bohren Sie die 4 Löcher und setzen Sie die mitgelieferten Dübel ein. Schrauben Sie die andere Hälfte des Halterungspaares mit den mitgelieferten 4 x langen Blechschrauben an die Decke oder Wand.



4. Bilden Sie mit den 4 x Schrauben, 4 x Unterlegscheiben und 4 x Flügelmutter ein Scharnier zwischen den Halterungen und ziehen Sie die Flügelmutter fest, so dass der Winkel des Scharniers festgelegt ist und ein weiteres Schwenken des Scharniers nicht möglich ist.

Deckeneinbau-Montagesätze und Deckenaufbau-Montagesätze sind als separat erhältliches Zubehör erhältlich und enthalten Anweisungen zur Montage des Heizgeräts mit diesen alternativen Methoden.

ERSTE VERWENDUNG:

Beachten Sie, dass der Krystal-Heizlüfter keine eingebauten Bedienelemente oder einen Ein/Aus-Schalter hat. Sobald er an das Stromnetz angeschlossen ist, heizt er sich auf.

Vergewissern Sie sich, dass die vorgesehenen Steuersysteme vorhanden sind und dass der Strom zum Heizgerät ausgeschaltet ist, wenn Sie die endgültigen Anschlüsse vornehmen.

Das Heizgerät kann in den ersten Minuten nach dem ersten Einschalten einen leichten Geruch ausströmen. Dies ist normal und hört nach ein paar Minuten auf.

WARTUNG UND REPARATUR:

Die Herschel-Platte darf nur in kaltem Zustand installiert, deinstalliert, gereinigt oder transportiert werden.

Versuchen Sie NICHT, elektrische oder mechanische Funktionen des Geräts zu reparieren oder einzustellen. Andernfalls erlischt Ihre Garantie.

Reparaturen dürfen nur von einem autorisierten Herschel-Servicepartner durchgeführt werden.

REINIGUNG:

Bevor Sie versuchen, das Paneel zu reinigen, ziehen Sie den Stecker aus der Steckdose, trennen Sie das Gerät vom Stromnetz und lassen Sie es vollständig abkühlen.

Tauchen Sie den Herschel Flächenheizer NICHT in Wasser ein und spritzen Sie kein Wasser auf ihn.

Reinigen Sie die Oberfläche des Heizgeräts mit einem feuchten Tuch. Trocknen Sie die Oberflächen anschließend mit einem trockenen Tuch ab. Verwenden Sie KEINE Scheuermittel, Lösungsmittel oder lösungsmittelhaltige Tücher auf der Oberfläche, da dies zu irreparablen Schäden führen kann.

Warten Sie, bis das Gerät vollständig trocken ist, bevor Sie es benutzen.

ENTSORGUNG:

Das Heizgerät ist ein elektrisches Produkt und sollte am Ende seiner Lebensdauer gemäß den örtlichen Vorschriften entsorgt werden.

GARANTIE:

Registrieren Sie Ihr Produkt hier:

<https://www.herschel-infrartheizung.de/kundendienst/garantieregistrierung/>

Innerhalb von fünf Jahren nach dem Kaufdatum wird Herschel das Heizgerät reparieren oder ersetzen, wenn der Fehler auf Material- oder Verarbeitungsfehler zurückzuführen ist. Im Falle eines Garantieanspruchs wenden Sie sich bitte an Ihren Händler vor Ort und senden das Heizgerät zusammen mit dem Kaufbeleg ein.

Voraussetzung für die Gültigkeit der Garantie ist die Verwendung des Heizgerätes mit der angegebenen Versorgungsspannung und die Verwendung gemäß den in dieser Anleitung angegebenen Bedingungen. Weitergehende Garantie- oder Gewährleistungsansprüche sind ausgeschlossen.

Die Garantie erstreckt sich nur auf die Reparatur oder den Ersatz des defekten Produktes. Herschel übernimmt keine Haftung für Installationskosten oder Folgeschäden, wie auch immer diese entstanden sind.

Das Entfernen der Seriennummer führt zum Erlöschen der Garantie. Die Garantie erlischt auch, wenn das Heizgerät in irgendeiner Weise manipuliert oder geöffnet wurde.

Das Typenschild muss auf den Paneelen verbleiben, so dass es auch nach der Installation zugänglich ist.

Herschel Infrared Ltd. übernimmt keine Verantwortung für Kratzer auf der Oberfläche oder dem Rahmen nach dem ersten Gebrauch.

Herschel Infrared Ltd. übernimmt keine Verantwortung für Schäden, Verluste oder Verletzungen, die durch das Eindringen von Wasser oder Feuchtigkeit, versehentliche Beschädigung, unsachgemäße Handhabung, äußere Einwirkungen, Einstellung durch nicht autorisiertes Personal oder Nichtbeachtung der korrekten Wartungs- und Sicherheitsvorkehrungen, wie in der Anleitung angegeben, entstehen. Ausführliche Informationen finden Sie in der Garantieerklärung von Herschel Infrared Ltd. Siehe <https://www.herschel-infrartheizung.de/>

Notieren Sie sich die Seriennummer für spätere Zwecke:

EINHALTUNG DER ÖKODESIGN-RICHTLINIE 2009/125/EG:

Alle Herschel Krystal Heizgeräte müssen mit Herschel iQ Reglern verwendet werden, um der ErP-Verordnung 2015/1188 und Ergänzung 2016/2282 der ÖkoDesign-Richtlinie 2009/125 zu entsprechen.

Herschel ist nicht verantwortlich für Verstöße gegen die Gesetzgebung, wenn Krystal ohne den entsprechenden iQ-Verantwortlichen verwendet wird.

Ich habe als feste elektrische Raumheizgeräte eingesetzt

Raumheizungs-Jahresnutzungsgrad vor Los 20 = 30%

Wirkungsgrad gemäß EG/2009/125

Kontrollen)

= 38 - 40% (abhängig von den

PANNELLI OGGETTO DI QUESTE ISTRUZIONI:

Pannelli neri	Pannelli Bianchi	Potenza	Dimensioni	Peso
Krystal-600-B	Krystal-600-W	600W, 220 – 240V, 50/60Hz	573 x 269 x 82mm	6.4kg
Krystal-1000-B	Krystal-1000-W	1000W, 220 – 240V, 50/60Hz	573 x 269 x 82mm	8.15kg

IMPORTANTI PRECAUZIONI DI SICUREZZA**LEGGERE ATTENTAMENTE QUESTE ISTRUZIONI
E CONSERVARLE PER RIFERIMENTO FUTURO.**

La mancata osservanza di queste istruzioni invalida la garanzia.
Non smontare. All'interno non ci sono parti riparabili dall'utente.

**AVVERTENZA****PER RIDURRE IL RISCHIO DI INCENDIO, SCOSSE ELETTRICHE O LESIONI:**

1. Questo apparecchio deve essere scollegato dalla fonte di alimentazione durante le attività di installazione o manutenzione e in caso di sostituzione.
2. Il Krystal non è dotato di un dispositivo integrato per il controllo della temperatura ambiente. Se destinato all'uso in uno spazio chiuso per il riscaldamento dell'ambiente, è necessario utilizzare i comandi Herschel iQ. Se non si monta un dispositivo di controllo della temperatura ambiente, NON utilizzare per il riscaldamento di ambienti occupati da persone incapaci di lasciare la stanza da sole, a meno che non sia prevista una supervisione costante. Herschel non è responsabile di eventuali violazioni della normativa sulla progettazione ecocompatibile o sulla sicurezza nel caso in cui i riscaldatori vengano utilizzati in uno spazio chiuso senza l'uso di un regolatore Herschel iQ.
3. Per evitare il surriscaldamento e il potenziale rischio di incendio, NON coprire il riscaldatore in nessun caso. NON posizionare il riscaldatore a meno di 1m da materiali infiammabili (ad esempio, mobili, tende).
4. NON toccare il riscaldatore quando è in funzione. Le temperature di superficie dei riscaldatori Krystal superano i 250°C / 482°F. Il contatto con il riscaldatore può causare ustioni e lesioni. Spegnerne il riscaldatore e lasciarlo raffreddare per almeno 10 minuti prima di toccarne qualsiasi parte.
5. NON mettere in funzione il riscaldatore se il cavo è danneggiato o se il riscaldatore non funziona correttamente, oppure se è caduto o è stato danneggiato in qualsiasi modo. Controllare che ogni riscaldatore non sia danneggiato prima dell'installazione. Assicurarsi che il riscaldatore stesso e il suo cavo di alimentazione non presentino segni visibili di danneggiamento. Se il cavo è danneggiato, l'apparecchio deve essere inviato per la riparazione a un rivenditore autorizzato Herschel.
6. Questo riscaldatore deve essere utilizzato esclusivamente per il riscaldamento di persone o edifici. Il riscaldatore non deve essere utilizzato da bambini o da persone con ridotte capacità fisiche, sensoriali o mentali, o con scarsa esperienza o conoscenza. I bambini devono essere tenuti lontani e non devono essere lasciati senza sorveglianza intorno all'unità. NON utilizzare all'aperto.
7. Tutti gli operatori devono accendere/spegnere l'apparecchio solo se è stato collocato o installato nella posizione di funzionamento prevista, in conformità alle presenti istruzioni. I bambini non devono inserire la spina, accendere o regolare l'apparecchio o eseguire la manutenzione da parte dell'utente, compresa la pulizia.



Il prodotto è conforme agli standard di sicurezza europei Direttiva sulla bassa tensione 2014/35/CE, Direttiva EMC 2014/30/CE, RoHS 2011/65/CE e Direttiva Ecodesign 2009/125/CE.
Traduzione delle istruzioni originali in inglese relative ai riscaldatori Krystal prodotti dal 10 al 2022

8. I pannelli Herschel sono progettati per essere utilizzati con una tensione CA compresa tra 220 e 240 volt, 50/60 Hz CA. Se la tensione di alimentazione supera i 240 volt, non utilizzare il riscaldatore e rivolgersi al rivenditore locale. La mancata osservanza di questa prescrizione invalida la garanzia.
9. Il riscaldatore deve essere montato su una superficie non infiammabile.

CONSERVARE QUESTE ISTRUZIONI.

PROTEZIONE D'INGRESSO D'ACQUA:

I pannelli riscaldanti Krystal sono classificati secondo uno standard (minimo IP44) che ne consente l'installazione nella zona 2 del bagno. Ciò significa che possono essere collocati sopra un lavandino o al di fuori di qualsiasi zona di spruzzi, oppure possono essere installati sul soffitto. Non possono essere installati nelle zone 0 o 1.

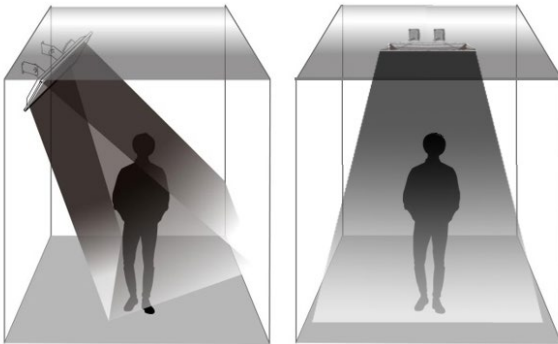
L'installazione in ambienti potenzialmente umidi o bagnati, come i bagni, deve essere effettuata da un installatore adeguatamente qualificato e deve essere conforme ai requisiti di sicurezza elettrica locali. L'installazione deve essere tale che

il riscaldatore non possa staccarsi dai raccordi e cadere in una vasca da bagno, in una doccia, in una piscina o in un altro contenitore d'acqua e che gli interruttori e gli altri comandi non possano essere toccati da una persona che si trova in una vasca da bagno o in una doccia.

In caso di dubbio, non installare. Herschel Infrared Ltd non è responsabile di eventuali perdite, danni o lesioni causati o derivanti da un montaggio inadeguato o da un posizionamento errato dei riscaldatori in prossimità di fonti d'acqua.

POSIZIONAMENTO

Herschel Krystal è un riscaldatore a pannelli a infrarossi. Riscalda trasferendo l'energia direttamente dal riscaldatore alla stanza e al suo contenuto. Installare il riscaldatore solo sul soffitto (utilizzando una delle opzioni di montaggio descritte di seguito) o su una parete al di sopra di 2,1 m e inclinata verso il basso.



Assicurarsi che il riscaldatore non sia ostruito da oggetti o che non possa irradiare efficacemente all'esterno, ad esempio sul bordo o negli angoli di una stanza. Gli oggetti di grandi dimensioni posti davanti al riscaldatore si riscaldano e possono impedire un'efficace diffusione del calore nella stanza. Se possibile, evitate di posizionare il riscaldatore di fronte a finestre e porte aperte, dove il calore potrebbe passare attraverso di esse e risultare meno efficace.

È probabile che si riesca a percepire il calore del riscaldatore fino a circa 3 metri di distanza, ma oltre continuerà a irradiare calore. Più si è vicini al riscaldatore, maggiore sarà l'intensità del calore percepito.

Il calore a infrarossi si disperde come la luce di un pannello LED. Se installate più pannelli in una stanza, provate a immaginare che ogni pannello sia una luce e considerate come la luce "illumina" la stanza: i vostri riscaldatori riscalderanno la stanza in modo simile.

Il Krystal raggiunge temperature elevate e non dovrebbe mai essere possibile toccarlo durante il normale funzionamento. Non posizionare mai il riscaldatore a un'altezza inferiore a 2,1 m (83") da terra e non ostruirlo con mobili, tende o altri accessori.

Per il montaggio a soffitto, l'altezza minima consigliata del soffitto è di 2,4 m a causa dell'intensità del calore.

Gli oggetti destinati a essere posizionati in modo permanente davanti a un pannello devono essere distanti almeno 1m dalla parte anteriore del riscaldatore durante il normale funzionamento, per evitare l'accumulo di calore.

Gli oggetti (e gli angoli delle stanze) devono essere a una distanza minima di 0,3 m dai lati del riscaldatore. Questa distanza deve essere rispettata anche se si intende incassare il riscaldatore nella parete o nel soffitto. Se non si garantisce una distanza adeguata dai lati, il calore in eccesso si accumulerà dietro il riscaldatore e la garanzia sarà annullata.

La distanza tra i lati del riscaldatore e i lati di qualsiasi riscaldatore adiacente deve essere di almeno 1 m (40"). La mancata osservanza di una distanza adeguata tra i riscaldatori potrebbe causare l'accumulo di calore in eccesso dietro i riscaldatori e invalidare la garanzia.

INSTALLAZIONE:



ATTENZIONE:

L'installazione elettrica deve essere eseguita esclusivamente da elettricisti certificati.

Assicurarsi sempre che il cavo di alimentazione non possa toccare il retro del riscaldatore e che non possa sporgere nell'area riscaldata del riscaldatore. Il cavo di alimentazione può essere fatto passare in modo sicuro lontano dalla parte posteriore del riscaldatore fissandolo alle staffe metalliche con delle fascette.

Il cablaggio di questo apparecchio deve essere effettuato in conformità alle norme nazionali di sicurezza elettrica. Si tratta di un apparecchio di Classe 1 e deve essere collegato a terra.

Se collocato in aree pubbliche, l'installazione deve essere conforme agli standard elettrici locali. Per alcuni edifici pubblici, come scuole e case di cura, i riscaldatori devono essere installati secondo la legislazione specifica per questi tipi di edifici.

L'alimentazione elettrica dell'unità deve essere fornita collegandosi a un circuito protetto da un fusibile o da un dispositivo di corrente residua (RCD) o da un interruttore di circuito di guasto a terra (GFCI) adatto alla potenza elettrica dell'apparecchio. Il controllo della temperatura deve essere effettuato con un termostato.

Codifica dei colori del cavo di rete in dotazione: Il filo marrone deve essere collegato alla tensione ('L'), il filo blu al NEUTRO ('N') e il filo verde/giallo alla terra ('E').



ATTENZIONE:

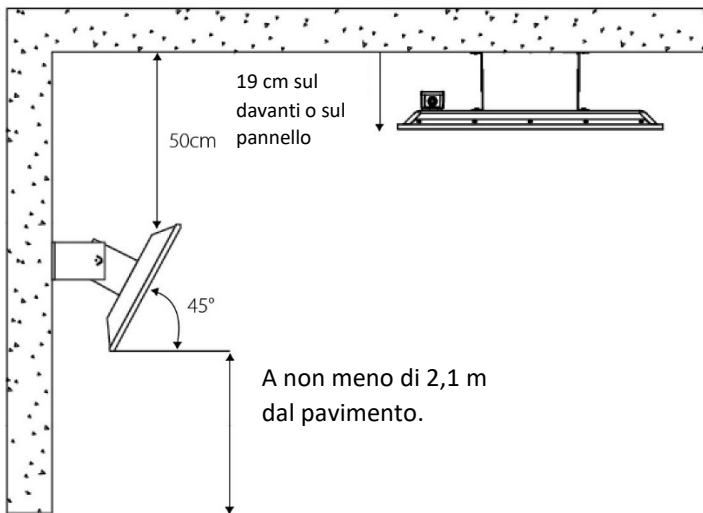
- Assicurarsi che l'alimentazione di rete sia disattivata prima di iniziare un'installazione che preveda un cablaggio fisso.
- Tutti i cavi fissi esterni al riscaldatore che entrano in contatto o in prossimità del riscaldatore devono essere protetti da una guaina con una temperatura nominale di almeno 90°C.
- Tutti i cablaggi dietro l'apparecchio devono seguire il percorso più breve fino al bordo del riscaldatore.

- Se il riscaldatore viene installato ad angolo (ad esempio su un tetto inclinato), il cavo di alimentazione deve trovarsi all'estremità più bassa del riscaldatore.
- NON lasciare il cavo di alimentazione arrotolato durante il funzionamento. Se possibile, accorciare il cavo di alimentazione e non collocare il cavo in eccesso sul retro del riscaldatore.
- NON effettuare collegamenti elettrici dietro il riscaldatore, né a parete né a soffitto.
- Il riscaldatore non deve essere collocato immediatamente sotto una presa di corrente, né a parete né a soffitto.
- NON forare nessuna parte del riscaldatore. Ciò provoca danni irreparabili ed è pericoloso.
- NON collegare alla rete elettrica un riscaldatore danneggiato in alcun modo.

Installare il riscaldatore Krystal utilizzando esclusivamente la ferramenta di montaggio in dotazione e seguendo le indicazioni della guida all'installazione. Herschel Infrared Ltd non si assume alcuna responsabilità per danni, perdite o lesioni causati o derivanti da riscaldatori installati in modo non corretto. Herschel Infrared Ltd non si assume alcuna responsabilità per danni conseguenti, comunque causati.

OPZIONI DI MONTAGGIO A SOFFITTO E A PARETE

Montaggio a parete o a soffitto utilizzando le staffe girevoli in dotazione.

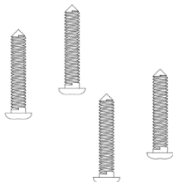


La ferramenta comprende:

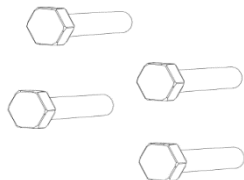
Viti autofilettanti piccole x 4



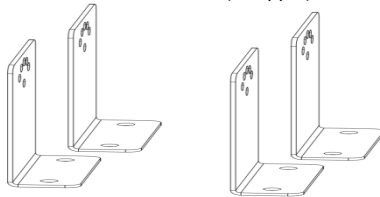
Viti autofilettanti PWA x 4



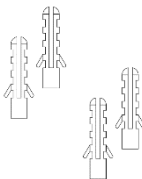
Bulloni x 4



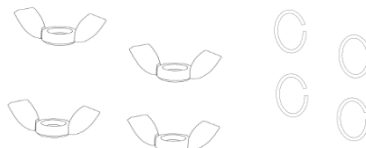
Staffa del riscaldatore x 4 (2 coppie)



Tappi grezzi x 4

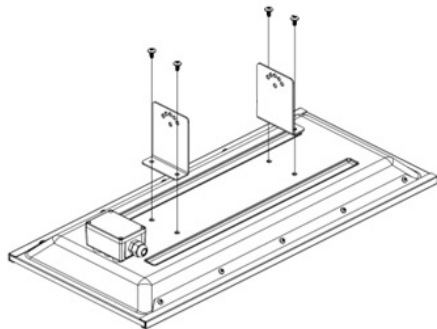


Dadi a farfalla x 4 + rondelle x4

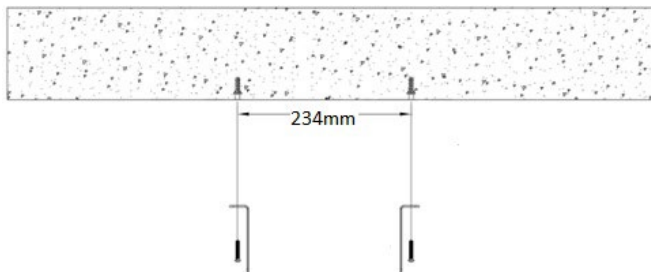


Passi:

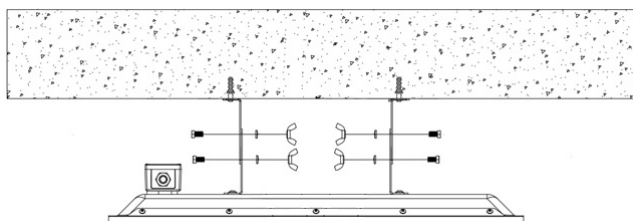
1. Utilizzare 4 viti autofilettanti per fissare due staffe sul retro del riscaldatore.



2. Segnare sul soffitto o sulla parete nella posizione prevista i quattro fori utilizzando le staffe come modello (234 mm di distanza e 50 mm tra i fori di ciascuna staffa).



3. Eseguire i 4 fori e inserire i tasselli forniti. Avvitare l'altra metà della coppia di staffe al soffitto o alla parete utilizzando le 4 viti autofilettanti lunghe in dotazione.
4. Formare una cerniera tra le staffe utilizzando i 4 bulloni, le 4 rondelle e i 4 dadi a farfalla e serrare i dadi a farfalla in modo che l'angolo della cerniera sia impostato e non sia possibile un'ulteriore rotazione della cerniera.



I kit per il montaggio a incasso nel soffitto e i kit per il montaggio a superficie del soffitto sono disponibili come accessori acquistabili separatamente e contengono le istruzioni per il montaggio del riscaldatore utilizzando questi metodi alternativi.

PRIMO UTILIZZO:

Si noti che il riscaldatore Krystal non è dotato di comandi interni o di interruttore di accensione/spengimento. Non appena viene collegato alla rete elettrica, si riscalda.

Quando si effettuano i collegamenti finali, assicurarsi che i sistemi di controllo previsti siano in funzione e che l'alimentazione del riscaldatore sia disattivata.

Il riscaldatore può emettere un piccolo odore nei primi minuti dopo l'accensione iniziale. Questo fenomeno è normale e cesserà dopo pochi minuti.

MANUTENZIONE E RIPARAZIONE:

Il pannello Herschel deve essere installato, disinstallato, pulito o trasportato solo a freddo.

NON tentare di riparare o regolare le funzioni elettriche o meccaniche di questa unità. Ciò comporta l'annullamento della garanzia.

Le riparazioni devono essere effettuate esclusivamente da un centro di assistenza autorizzato Herschel.

PULIZIA:

Prima di procedere alla pulizia del pannello, scollegare il riscaldatore, isolarlo dall'alimentazione elettrica e lasciarlo raffreddare completamente.

NON immergere il riscaldatore a pannello Herschel in acqua o spruzzare acqua su di esso.

Pulire la superficie del riscaldatore con un panno umido. Una volta pulita, asciugare la superficie con un panno asciutto.

NON applicare materiali abrasivi, solventi o panni solventi sulla superficie, perché potrebbero causare danni irreparabili.

Attendere che l'unità sia completamente asciutta prima di utilizzarla.

SMALTIMENTO:

Il riscaldatore è un prodotto elettrico e al termine del suo ciclo di vita deve essere smaltito in conformità alle normative locali.

GARANZIA:

Registrate il vostro prodotto qui:

<https://www.herschel-infrarossi.it/assistenza-clienti/registrazione-della-garanzia/>

Entro cinque anni dalla data di acquisto, Herschel riparerà o sostituirà il riscaldatore se il guasto è dovuto a difetti di materiale o di fabbricazione. In caso di richiesta di garanzia, rivolgersi al rivenditore locale e restituire il riscaldatore insieme alla prova d'acquisto.

Un prerequisito per la validità della garanzia è l'utilizzo del riscaldatore alla tensione di alimentazione specificata e in conformità alle condizioni specificate nel presente manuale. Qualsiasi altra garanzia o reclamo è esclusa.

La garanzia copre esclusivamente la riparazione o la sostituzione del prodotto difettoso e Herschel non è responsabile dei costi di installazione o di perdite conseguenti, comunque sostenute.

La rimozione del numero di serie annulla la garanzia. La garanzia decade anche se il riscaldatore è stato manomesso o aperto in qualsiasi modo.

L'etichetta di alimentazione del prodotto deve essere lasciata sui pannelli in modo da potervi accedere dopo l'installazione, se necessario.

Herschel Infrared Ltd non si assume alcuna responsabilità per i graffi sulla superficie o sui telai dopo il primo utilizzo.

Herschel Infrared Ltd non si assume alcuna responsabilità per danni, perdite o lesioni causati dall'ingresso di acqua o umidità, da danni accidentali, da una manipolazione errata, da urti esterni, da regolazioni effettuate da personale non autorizzato o dalla mancata osservanza delle corrette precauzioni di manutenzione e sicurezza indicate nel manuale. Per tutti i dettagli, consultare la politica di garanzia di Herschel Infrared Ltd. Vedere <https://www.herschel-infrarossi.it/>

Annotare il numero di serie per riferimenti futuri:

CONFORMITÀ ALLA DIRETTIVA 2009/125/CE SULLA PROGETTAZIONE ECOCOMPATIBILE:

Tutti i riscaldatori Herschel Krystal devono essere utilizzati con i controller Herschel iQ per essere conformi al regolamento ErP 2015/1188 e al supplemento 2016/2282 della direttiva EcoDesign 2009/125.

Herschel non è responsabile per eventuali violazioni della legislazione in cui Krystal viene utilizzato senza l'appropriato controller iQ.

Honstalled come riscaldatori elettrici fissi

Efficienza energetica stagionale del riscaldamento degli ambienti pre Lotto 20 = 30%

Efficienza ai sensi della CE/2009/125

= 38 - 40% (a seconda dei controlli)

PANELES CUBIERTOS POR ESTAS INSTRUCCIONES:

Paneles negros	Paneles blancos	Potencia	Dimensiones	Peso
Krystal-600-B	Krystal-600-W	600W, 220 – 240V, 50/60Hz	573 x 269 x 82mm	6.4kg
Krystal-1000-B	Krystal-1000-W	1000W, 220 – 240V, 50/60Hz	573 x 269 x 82mm	8.15kg

PRECAUCIONES DE SEGURIDAD IMPORTANTES

**LEA ATENTAMENTE ESTAS INSTRUCCIONES Y
CONSERVELAS PARA FUTURAS CONSULTAS.**

El incumplimiento de estas instrucciones invalidará la garantía. No desmontar. No hay piezas reparables por el usuario en el interior.



 **ADVERTENCIA**

PARA REDUCIR EL RIESGO DE INCENDIO, DESCARGA ELÉCTRICA O LESIONES:

1. Este aparato debe desconectarse de su fuente de alimentación durante las actividades de instalación o servicio y cuando se sustituya.
2. El Krystal no está equipado con un dispositivo integrado para controlar la temperatura ambiente. Si está destinado a ser utilizado en un espacio cerrado para calentar la habitación, deben utilizarse los controles Herschel iQ. Si no dispone de un controlador de temperatura ambiente, **NO** lo utilice para la calefacción de habitaciones cuando éstas estén ocupadas por personas incapaces de salir de ellas por sí mismas, a menos que se proporcione una supervisión constante. Herschel no se responsabiliza de ningún incumplimiento de la legislación de Ecodiseño o de Seguridad cuando los calefactores se utilicen en un espacio cerrado sin utilizar un controlador Herschel iQ.
3. Para evitar el sobrecalentamiento y el posible riesgo de incendio, **NO** cubra el calefactor bajo ninguna circunstancia. **NO** coloque el calefactor a menos de 1m de cualquier material inflamable (por ejemplo, muebles, cortinas)).
4. **NO** toque el calentador cuando esté en uso. Las temperaturas de la superficie de los calentadores Krystal superan los 250°C / 482°F. El contacto con el calentador provocará quemaduras y lesiones. Apague el calefactor y deje que se enfríe durante al menos 10 minutos antes de tocar cualquier parte del mismo.
5. **NO** haga funcionar el calentador si el cable está dañado o después de que el calentador funcione mal, o si se ha caído o dañado de alguna manera. Revise cada calentador para ver si está dañado antes de instalarlo. Asegúrese de que el calentador y su cable de alimentación no presenten signos visibles de daños. Si el cable está dañado, el aparato debe enviarse para su reparación a un distribuidor autorizado de Herschel.
6. Esta estufa sólo debe utilizarse para la calefacción de personas o edificios. El calentador no debe ser utilizado por niños o personas con capacidades físicas, sensoriales o mentales reducidas, o con falta de experiencia o conocimientos. Los niños deben mantenerse alejados y no deben ser dejados sin supervisión alrededor de la unidad. **NO** utilizar al aire libre.



El producto cumple con las normas de seguridad europeas: Directiva de baja tensión 2014/35/CE, Directiva CEM 2014/30/CE, RoHS 2011/65/CE y la Directiva de diseño ecológico 2009/125/CE. Instrucciones originales en inglés que cubren los calentadores Krystal fabricados a partir de 10-2022.

7. Todos los operarios deben encender y apagar el aparato sólo si se ha colocado o instalado en la posición de funcionamiento prevista de acuerdo con estas instrucciones. Los niños no deben enchufar, encender o regular el aparato ni realizar el mantenimiento del usuario, incluida la limpieza.
8. Los paneles Herschel están diseñados para su uso con una tensión de CA entre 220-240 voltios, 50/60 Hz CA. Si su tensión de alimentación supera los 240 voltios, no utilice el calefactor y consulte a su distribuidor local. El incumplimiento de esta norma anulará la garantía.
9. El calentador debe montarse en una superficie no inflamable.

GUARDE ESTAS INSTRUCCIONES.

ENTRADA DE AGUA:

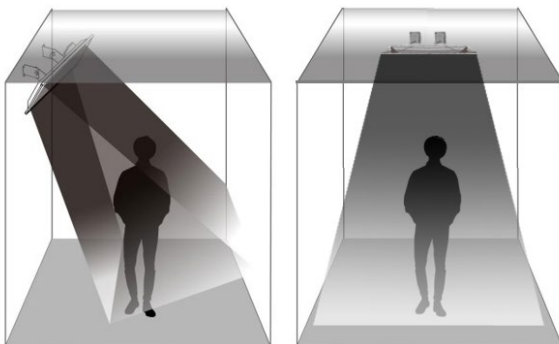
Los paneles calefactores Krystal tienen un grado de protección (mínimo IP44) que les permite situarse en la zona 2 de un cuarto de baño. Esto significa que pueden colocarse encima de un lavabo o fuera de cualquier zona de salpicaduras, o pueden instalarse en el techo. No pueden instalarse en las zonas 0 o 1.

La instalación en espacios potencialmente húmedos o mojados, como los cuartos de baño, debe ser realizada por un instalador debidamente cualificado y cumplir con los requisitos locales de seguridad eléctrica. La instalación debe ser tal que el calefactor no pueda desprenderse de los accesorios y caer en una bañera, ducha, piscina u otro recipiente de agua y que los interruptores y otros controles no puedan ser tocados por una persona en una bañera o ducha.

En caso de duda, no lo instale. Herschel Infrared Ltd no será responsable de ninguna pérdida, daño o lesión causada o resultante de una instalación inadecuada o una colocación incorrecta de los calentadores cerca de fuentes de agua.

POSICIONAMIENTO:

El Herschel Krystal es un calentador de panel infrarrojo. Calienta transfiriendo la energía directamente desde el calefactor a la habitación y su contenido. Instale el calefactor únicamente en el techo (utilizando una de las opciones de montaje que se describen a continuación) o en una pared por encima de 2,1 m y en ángulo hacia abajo.



Asegúrese de que la estufa no esté obstruida por objetos o donde no pueda irradiar eficazmente hacia fuera, como en el borde o en las esquinas de una habitación. Los objetos grandes colocados delante de la estufa se calentarán y pueden impedir la dispersión efectiva del calor en la habitación. Si puede, evite colocar el calefactor frente a ventanas y puertas abiertas, ya que el calor podría atravesarlas y ser menos eficaz.

Es probable que pueda sentir el calor del calefactor hasta unos 3 metros de distancia, pero seguirá irradiando calor más allá de esta distancia. Cuanto más cerca esté del calefactor, mayor será la intensidad del calor que sentirá.

El calor infrarrojo se dispersará de la misma manera que la luz de un panel LED. Si va a instalar varios paneles en una habitación, imagine que cada panel es una luz y piense en cómo la luz "ilumina" la habitación: sus calefactores calentarán la habitación de forma similar.

Il Krystal raggiunge temperature elevate e non dovrebbe mai essere possibile toccarlo durante il normale funzionamento. Non posizionare mai il riscaldatore a un'altezza inferiore a 2,1 m (83") da terra e non ostruirlo con mobili, tende o altri accessori.

Para el montaje en techo, la altura mínima recomendada del techo es de 2,4 m debido a la intensidad del calor.

Los objetos que se vayan a colocar de forma permanente delante de un panel deben estar a una distancia mínima de 1m de la parte delantera de la estufa en funcionamiento normal para evitar la acumulación de calor.

Los objetos (y las esquinas de las habitaciones) deben estar a un mínimo de 0,3m de los lados de la estufa. Esta distancia también debe respetarse si se pretende empotrar la estufa en la pared o en el techo. Si no se garantiza una distancia adecuada a los lados, se producirá un exceso de calor detrás de la estufa y se anulará la garantía.

La distancia entre los lados del calefactor y los lados de cualquier calefactor adyacente debe ser de un mínimo de 1m (40"). Si no se garantiza una distancia adecuada entre los calefactores, podría producirse un exceso de calor detrás de los mismos y se anularía la garantía.

INSTALACIÓN:



ADVERTENCIA:

La instalación eléctrica sólo debe ser realizada por electricistas certificados.

Asegúrese siempre de que el cable de alimentación no puede tocar la parte trasera del calefactor y que no puede sobresalir en la zona calentada del calefactor. El cable de alimentación se puede alejar de forma segura de la parte trasera de la estufa fijándolo a los soportes metálicos con bridas.

El cableado de este aparato debe conectarse de acuerdo con las normas nacionales de seguridad eléctrica pertinentes. Es un aparato de clase 1 y debe estar conectado a tierra.

Quando se coloque en áreas públicas, la instalación debe cumplir con las normas eléctricas locales pertinentes. Para determinados edificios públicos, como escuelas y residencias, los calefactores deben instalarse de acuerdo con la legislación específica para este tipo de edificios.

El suministro eléctrico de la unidad debe realizarse mediante la conexión a un circuito protegido por un fusible o un dispositivo de corriente residual (RCD) o un interruptor de circuito de fallo a tierra (GFCI) adecuado para la potencia eléctrica del aparato. El control de la temperatura debe realizarse mediante un termostato.

Código de colores utilizado en el cable de alimentación suministrado: El cable MARRÓN debe conectarse a VIVO ('L'), el cable AZUL a NEUTRO ('N') y el cable VERDE/AMARILLO a TIERRA ('E').



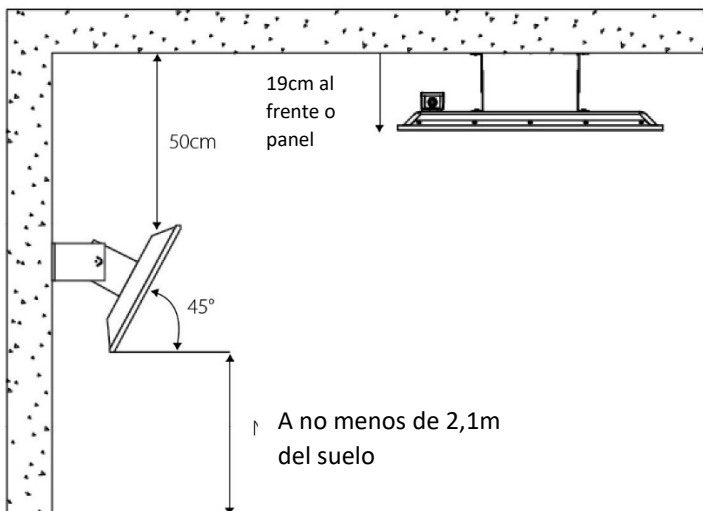
PRECAUCIÓN:

- Asegúrese de que la red eléctrica está desconectada antes de comenzar una instalación que implique un cableado fijo.
- Cualquier cableado fijo fuera de la estufa que esté en contacto o cerca de la estufa debe estar protegido por un manguito con una temperatura nominal de al menos 90°C.
- Todo el cableado detrás del aparato debe tomar la ruta más corta hasta el borde del calentador.
- Si se instala el calefactor en un ángulo (en un techo inclinado, por ejemplo), el cable de alimentación debe estar en el extremo más bajo del calefactor.
- **NO** deje el cable de alimentación enrollado en funcionamiento. Acorte el cable de alimentación si es posible y no coloque el cable sobrante en la parte trasera de la estufa.
- **NO** realice las conexiones eléctricas detrás de la estufa, ni en la pared ni en el techo.
- El calefactor no debe situarse inmediatamente debajo de una toma de corriente, ni en la pared ni en el techo.
- **NO** perforo ninguna parte de la estufa. Esto causará daños irreparables y es peligroso.
- **NO** conecte a la red eléctrica un calefactor que esté dañado de alguna manera.

Instale el calefactor Krystal utilizando únicamente los accesorios de montaje suministrados e instálelo de acuerdo con la guía de instalación. Herschel Infrared Ltd no puede aceptar la responsabilidad por daños, pérdidas o lesiones causadas por, o resultantes de calentadores instalados incorrectamente. Herschel Infrared Ltd no asumirá ninguna responsabilidad por las pérdidas consecuentes, independientemente de la causa.

OPCIONES DE MONTAJE EN EL TECHO Y EN LA PARED

Montaje en la pared o en el techo utilizando los soportes giratorios suministrados.

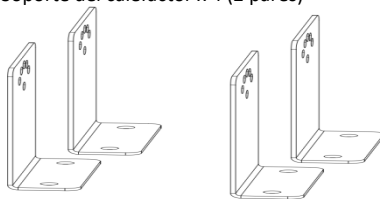


El hardware incluye:

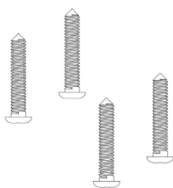
Tornillos autorroscantes pequeños x 4



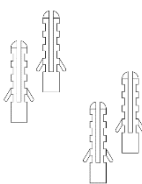
Soporte del calefactor x 4 (2 pares)



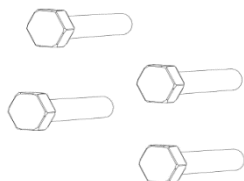
Tornillos autorroscantes PWA x 4



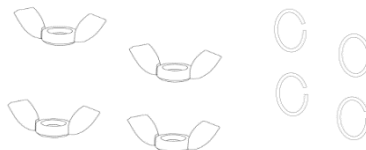
Tapones x 4



Pernos x 4

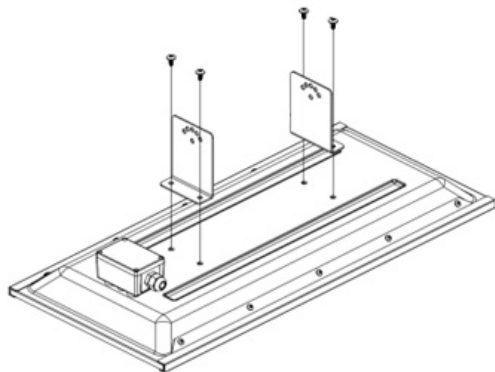


Tuercas de mariposa x 4 + Arandela x 4

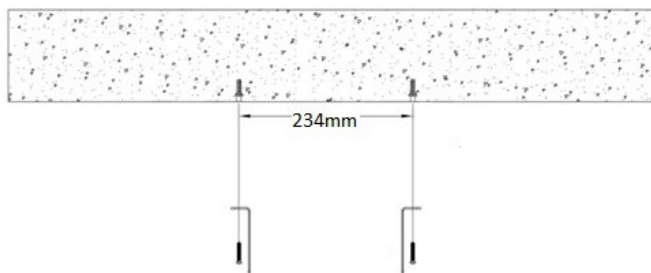


Pasos:

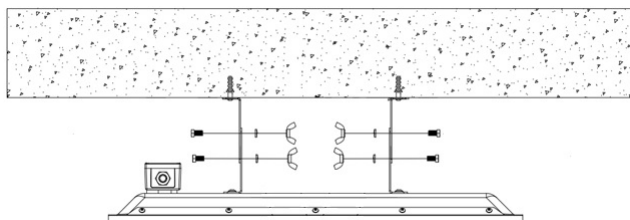
1. Utilice 4 tornillos autorroscantes para fijar dos soportes a la parte trasera del calentador.



2. Marque en el techo o en la pared en la posición prevista los cuatro agujeros de perforación utilizando los soportes como plantilla (234 mm de distancia y 50 mm entre los agujeros de cada soporte).



3. Taladre los 4 agujeros e inserte los tapones suministrados. 4. Atornille la otra mitad del par de soportes al techo o a la pared utilizando los 4 tornillos de rosca larga suministrados.
4. Forme una bisagra entre los soportes utilizando los 4 pernos, las 4 arandelas y las 4 tuercas de mariposa y apriete las tuercas de mariposa para que el ángulo de la bisagra quede fijado y no sea posible girar más la bisagra.



Los kits de montaje empotrado en el techo y los kits de montaje en la superficie del techo están disponibles como accesorios que se pueden comprar por separado y contienen instrucciones para montar el calentador usando estos métodos alternativos.

PRIMER USO:

Tenga en cuenta que el calentador Krystal no tiene controles incorporados ni interruptor de encendido/apagado. En cuanto se conecte a la red eléctrica, se calentará.

Asegúrese de que los sistemas de control previstos están en su sitio y de que la alimentación del calefactor está desconectada, cuando realice las conexiones finales.

El calentador puede emitir un pequeño olor en los primeros minutos después del encendido inicial. Esto es normal y dejará de hacerlo al cabo de unos minutos.

MANTENIMIENTO Y REPARACIÓN:

El panel Herschel sólo debe instalarse, desinstalarse, limpiarse o transportarse en frío.

NO intente reparar o ajustar ninguna función eléctrica o mecánica de esta unidad. Si lo hace, anulará la garantía.

Las reparaciones deben ser realizadas únicamente por un servicio técnico autorizado de Herschel.

LIMPIEZA:

Antes de intentar limpiar el panel, desenchufe el calentador, aisle la unidad del suministro eléctrico y deje que se enfríe completamente.

NO sumerja el panel calefactor Herschel en agua ni le salpique agua.

Limpie la superficie del calefactor con un paño húmedo. Una vez limpia, seque la superficie con un paño seco.

NO aplique materiales abrasivos, disolventes o paños de disolvente a la superficie, ya que puede causar daños irreparables.

Espera a que la unidad esté completamente seca antes de utilizarla.

DESECHO:

El calentador es un producto eléctrico y al final de su vida útil debe ser desechado de acuerdo con la normativa local.

GARANTÍA:

Registre su producto aquí:

<https://www.herschel-infrarrojo.es/atencion-al-cliente/registro-de-garantia/>

En un plazo de cinco años a partir de la fecha de compra, Herschel reparará o sustituirá la estufa cuando el fallo se deba a defectos en los materiales o en la fabricación. En caso de reclamación de garantía, consulte a su distribuidor local y devuelva la estufa junto con el comprobante de compra.

Un requisito previo para la validez de la garantía es el uso con la tensión de alimentación especificada de la estufa y el uso de acuerdo con las condiciones especificadas en este manual. Queda excluida cualquier otra garantía o reclamación.

La garantía cubre únicamente la reparación o la sustitución del producto defectuoso y Herschel no se responsabiliza de los costes de instalación ni de las pérdidas consecuentes que se produzcan.

La eliminación del número de serie anulará la garantía. La garantía también quedará anulada si el calentador ha sido manipulado o abierto de alguna manera.

La etiqueta de alimentación del producto debe dejarse en los paneles donde se pueda acceder a ellos después de la instalación si es necesario.

Herschel Infrared Ltd no asumirá ninguna responsabilidad por arañazos en la superficie o en los marcos después del primer uso.

Herschel Infrared Ltd no puede aceptar la responsabilidad por daños, pérdidas o lesiones causadas por la entrada de agua o humedad, daños accidentales, mal manejo, impactos externos, ajustes realizados por personal no autorizado o por no seguir las precauciones de mantenimiento y seguridad correctas indicadas en el manual. Consulte la política de garantía de Herschel Infrared Ltd para obtener todos los detalles. Ver

<https://www.herschel-infrarrojo.es/>

Anote su número de serie para futuras consultas:

CUMPLIMIENTO DE LA DIRECTIVA 2009/125/CE SOBRE DISEÑO ECOLÓGICO:

Todos los calentadores Herschel Krystal deben utilizarse con controladores Herschel iQ para cumplir con el Reglamento ErP 2015/1188 y el Suplemento 2016/2282 de la directiva de diseño ecológico 2009/125. Herschel no es responsable de ningún incumplimiento de la legislación en la que se utiliza Krystal sin el controlador iQ adecuado.

Me instalé como calentadores eléctricos fijos

Eficiencia energética estacional de calefacción de espacios pre Lote 20 = 30%

Eficiencia en el documento CE/2009/125

= 38 - 40% (dependiendo de los

controles)