

Select S3

Smart Infrared Freestanding Heater



- EN **INSTALLATION & OPERATING INSTRUCTIONS**
- FR **INSTRUCTIONS D'INSTALLATION ET D'UTILISATION**
- DE **INSTALLATIONS- & BEDIENUNGSANLEITUNG**
- NL **INSTALLATIE- EN BEDIENINGSINSTRUCTIES**
- IT **ISTRUZIONI PER L'INSTALLAZIONE E L'USO**
- ES **INSTRUCCIONES DE INSTALACIÓN Y FUNCIONAMIENTO**

MODELS COVERED BY THIS MANUAL:

Select S3
HS1000S3 HS900S3-EU

The product complies with European Safety Standards Low Voltage Directive 2014/35/EC, EMC Directive 2014/30/EC, RoHS 2011/65/EC & Ecodesign requirements for local space heaters 2009/125/EC. The radio equipment used in the wireless receiver complies with Directive 2014/53/EU. The full text of the EU declaration of conformity for radio emissions is available at the following QR address.



Serial Number:

IMPORTANT SAFETY PRECAUTIONS

Failure to observe these instructions will invalidate the warranty.
Do not disassemble. No user-serviceable parts inside.



WARNING

TO REDUCE THE RISK OF FIRE, ELECTRIC SHOCK OR INJURY

This appliance must be disconnected from its power source during installation or service activities and when replacing.

The S3 is equipped with a thermostat and built-in manual temperature-control keypad and can also be operated remotely via Smart Phone. Exercise caution when operating the heater remotely if rooms can be occupied by people incapable of leaving the room on their own, unless constant supervision is provided. Please ensure safety precautions in this manual are observed even when the heater is operated remotely.

The S3 has internal safety thermal cut out sensors. However, in order to avoid overheating and potential fire hazard, **DO NOT** cover the heater under any circumstances. **DO NOT** locate the heater within 0.4m of any flammable materials (e.g. Furniture, curtains).

DO NOT touch the heater when in use. The S3 has a surface temperature of around 95°C / 248°F (depending upon input voltage) and prolonged contact with the heater will cause burns and injury.

DO NOT operate the heater if the cord or plug is damaged or after the heater malfunctions, or if it has been dropped or damaged in any manner. Check each heater for damage before installation. Make sure that the heater itself, the plug and the cable are free of any visible signs of damage. If the cord is damaged the appliance must be sent for repair to an authorised Herschel Dealer.

This heater must only be used for the heating of people or buildings. The heater is not to be used by children or persons with reduced physical, sensory or mental capabilities, or lack of experience or knowledge. Children should be kept away and should not be left unsupervised around the unit. **DO NOT** use outdoors.

All operators should only switch on/off the appliance provided that it has been placed or installed in its intended operating position in accordance with these instructions. Children must not plug in, switch on or regulate the appliance or perform user maintenance including cleaning.

Herschel S3 heaters are designed for use with an AC voltage between 220-240 volts, 50 Hz AC. If your supply voltage exceeds 240 Volts do not use the heater and refer to your local dealer. Failure to adhere to this will void the warranty.

The heater must only be operated in the upright position standing on its base. Never attempt to operate the heater horizontally or resting against objects of any sort.

The heater is designed to be portable and must be placed on non-flammable surfaces.

WATER INGRESS PROTECTION IP44

Herschel S3 heaters are rated to a standard (minimum IP44) enabling them to be located within zone 2 in a bathroom. This means they may be placed outside splash zones. They cannot be installed in zones 0 or 1. They must not be used for drying clothes or towels.

Installation in potentially wet or humid rooms such as bathrooms must be carried out by a suitably qualified installer and comply with local electrical safety requirements. Installation must be such that the heater must not be able to fall into a bathtub, shower, swimming pool or other water container and that switches and other controls cannot be touched by a person in the bath or shower.

If in doubt, do not install. Herschel Infrared Ltd shall not be liable for any loss, damage or injury caused or resulting from inadequate fitting or incorrect placement of heaters close to water sources.

ENGLISH**⚠ WARNING**

Wiring to this appliance must be connected in accordance with the relevant national electrical safety standards. It is a Class 1 appliance and must be earthed.

When placed in public areas, installation must comply with relevant local electrical standards. For certain public buildings like schools and care homes the heaters must be placed according to the specific legislation for these types of buildings.

The electrical supply to each heater should be provided by connecting to a circuit protected by a fuse or residual current device (RCD) or Ground Fault circuit interrupter (GFCI) suitable for the electrical rating of the appliance.

Colour coding used in the supplied mains cable: BROWN wire is to be connected to LIVE ('L'), the BLUE wire to NEUTRAL ('N') and the GREEN/YELLOW wire to EARTH ('E').

⚠ CAUTION

The heater is designed to be movable and comes with a plug. Any mains wiring outside the heater coming into contact or close proximity to the heater must be protected by sleeving with a temperature rating of at least 90°C.

All cabling behind the heater must be kept clear of the heater and must not become a trip hazard.

DO NOT coil the power cable.

DO NOT attach or tie excess cable to the handle on the rear of the heater.

DO NOT locate the heater immediately below a socket outlet.

DO NOT drill through the heater as this will cause irreparable damage and is also dangerous.

DO NOT connect a heater that is damaged in any manner to the power network.

5 Year Warranty

Register your product here <https://www.herschel-infrared.co.uk/customer-service/warranty-registration/> .

Within five years from date of purchase Herschel will repair or replace the heater where the fault is due to defects in materials or workmanship. This warranty is for standard domestic use only and excludes commercial uses. In the event of a warranty claim please visit the Customer Service area of the Herschel Website and follow the Warranty Claim process. You will need proof of purchase and photographs of the heater.

A prerequisite for validity of the warranty is use at the specified supply voltage of the heater and use in accordance with the conditions specified in this manual. Any further warranty or claims are excluded.

The warranty covers the repair or replacement of the defective product only and Herschel shall have no liability for installation costs or consequential losses however incurred. The decision to repair or replace will rest solely with Herschel and any replacement will be as close as possible in specification to the failed heater.

Removing the serial number will void the warranty. The warranty will also be void if the heater has been tampered with or opened in any way.

The product power label must be left on the heater where it can be accessed after installation if necessary.

Herschel Infrared Ltd will assume no responsibility for scratches on surface after first use.

Disclaimer

Herschel Infrared Ltd cannot accept responsibility for damage, loss or injury caused by ingress of water or moisture, accidental damage, mishandling, external impact, adjustment by unauthorised personnel or failure to follow the correct maintenance and safety precautions as stated in the manual. Refer to Herschel Infrared Ltd's warranty policy for full details. See <https://www.herschel-infrared.co.uk>.

Ecodesign compliance

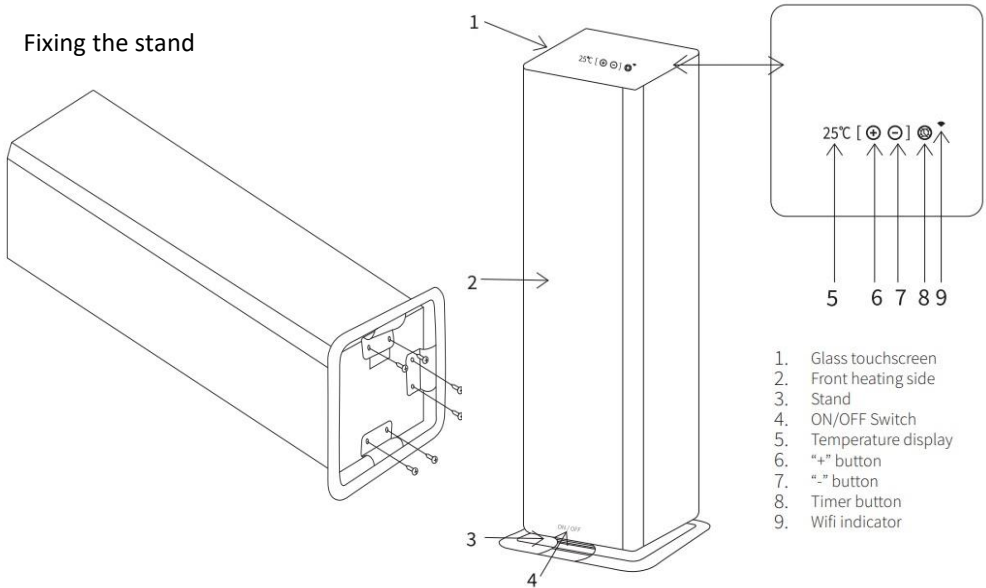
S3 complies with the EcoDesign Directive 2009/125/EC (Lot 20).

Specifics of S3 compliance can be found here:



Setup

Fixing the stand



Screw the stand onto the base of the heater using the six screws supplied.

Place the heater upright once the stand has been attached.

The heater has a control box with touchscreen glass surface on the top of the heater (1).

The heater may be operated to a fixed setpoint temperature using the touchscreen controls (2). Alternatively, if the heater is paired with the Smart Life App, then it can be fully programmed to run to a set heating schedule and integrated to work with your other Herschel heaters and Smart Home devices. If wifi signal is lost, the heater will continue to work at its current setpoint temperature, however it will not change at the next schedule setting on the App, until the wifi connection is restored.

To switch on the heater, click the ON/OFF switch (4) at the front of the heater base. Touch the centre of the touchscreen to activate the controls. The current temperature (5) is displayed. Adjust your desired room temperature using the + and – buttons (6 & 7). The current temperature will be replaced by the setpoint temperature while you are adjusting this figure. Setpoint temperature will flash for two seconds after your final input and will then revert to showing actual temperature.

A timer function is available allowing you to programme a fixed operating time (1 – 24 hrs) into the heater. With the timer set, the heater will operate to the setpoint temperature, but will switch off after the timer has reached zero. To set up the timer, briefly tap the timer button (8). “00H” will appear on the screen. Click the + and – buttons to increase and decrease the running hours (01 = 1 hour, 12 = 12 hours etc).

Additional functions

Child Lock. To lock the touchscreen control and prevent accidental settings changes, press + and – together for 3 seconds. “CL” will be shown in the temperature display. To remove child lock, click + and – for another 3 seconds and the heater will revert to normal touchscreen control. Child lock can also be set in the App.

Open Window detection (available in App only). The heater has an “Open Window detection” feature when paired with the Smart Life app. By default the feature is OFF, but can be enabled in the app settings. When enabled, if there is a dramatic temperature drop in a short time, “OPE” will be displayed on the screen and the heater will be switched off for 30 minutes to avoid wasting energy. After 30 minutes, the heater will start up again under its previous settings.

Calibration. The heater can be calibrated so it reads the same as other thermostats in a room. To enter calibration, click and hold the timer button for 3 seconds and “0°C” will appear in the temperature display. Use the + or – buttons to increase the calibration (+5C) or decrease it (-5C). Decrease calibration if the heater is over-reading temperature relative to another thermostat. Increase calibration if the heater is under-reading temperature relative to another thermostat. Calibration can also be set in the App.

Factory Reset. If you experience any issues during operation, including wifi pairing, you can reset to factory settings. To reset to factory settings, press the – key for 5 seconds to reset the heater. After reset the heater will work in manual mode until it is re-paired to the App.

Operation – using the SmartLife app

The Select S3 Heater can be paired directly with the Smart Life App via your home wifi and can then be operated via your phone, as well as manually via the touchscreen. Using Smart Life you can remotely set the temperature, switch the heater on and off or run the heater according to a schedule.

Be sure to follow the pairing instructions closely. Online help is also available via the Help & Support section of your local Herschel Website.

Pairing the S3 with Smart Life

In all pairing steps please ensure your mobile phone and the S3 are connected to the 2.4GHz wireless connection. Pairing will not be successful using a 5GHz connection.

Download & Install the Smart Life App

Scan the QR code below to download the Smartlife App from the App Store or Google Play. Alternatively, search “Smart Life” on Google Play or the App Store & look for this icon.



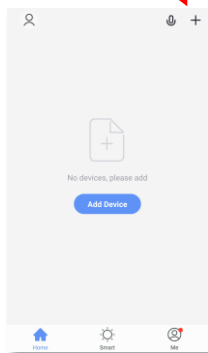
ENGLISH

After installing and opening the Smart Life App, you must register an account using an email address and password and accept the terms of use.

To pair, turn your S3 ON (or turn it OFF and then turn it back ON to start Wi-Fi Discovery). The Wi-Fi indicator on the control screen should be rapidly blinking.

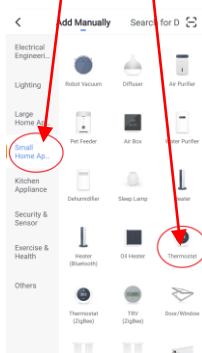
Go to the home screen of the Smart Life App.

Tap '+' top right of App



When adding a thermostat, you will be asked to enter your Wi-Fi password to pair the thermostat to that network.

Select "Small Home Appliances" and then "Wi-Fi Thermostats"



Confirm in the Smart Life App that the Wi-Fi indicator is rapidly blinking, and the pairing process will start. Please let the process run to 100% completion on the App.

The pairing process is very reliable on a 2.4GHz connection. Should the process fail please ensure you are on a 2.4GHz connection and retry the pairing process.

Alternative pairing mode

If pairing fails repeatedly and "Alternative Pairing Mode" (AP Mode) is suggested by the App, you can change your pairing mode (Wi-Fi Symbol blinking slowly). With the heater switched ON, click the + button for 3 seconds until the touchscreen shows "OFF" in the temperature display. Then click the Timer button for 5 seconds and the Wi-Fi symbol will flash slowly. Restart the pairing in the App and confirm the Wi-Fi symbol is flashing slowly. You can repeat the above process to switch back to EZ pairing mode (Wi-Fi symbol blinking quickly) too.

De-activate Wi-Fi

Wi-Fi can be deactivated entirely by clicking the + button for 3 seconds until the touchscreen shows "OFF" in the temperature display. Then click and hold the - button for 10 seconds to de-activate Wi-Fi. Click and hold the - button for 5 seconds to re-activate Wi-Fi again.

Additional functions in the App

Settings available in the App not available on the touchscreen control.

- Smart Mode – allows you to set up and run your heater to a daily schedule.
- Remote operation of the heater wherever you are over the internet.
- Check the energy consumption of the heater (Go to Settings => Energy Saving Statistics).
- Disable audible "beeps" that may occasionally be emitted by the controller unit on the heater.

Cleaning and maintenance



General

Please note it is possible the heater may discolour with use – this is caused by airborne pollution and is not a fault.

The heater is designed to last many years and incorporates several safety features, but if the heater has not been used or installed in adherence to these instructions, emits any noise, smell, or shows rapid discolouration of the surface or exceptionally high temperatures, discontinue using the heater and refer to Herschel Customer Service or your local Herschel dealer.



Cleaning

Before attempting to clean the heater, unplug it, isolate the unit from the electrical supply and allow it to completely cool down.

DO NOT immerse the heater in water or splash water onto it.

Clean the heater with a damp cloth. Never use a wet cloth. When clean, dry the surfaces with a dry cloth.

DO NOT apply abrasive materials, solvents or solvent wipes to the surface as this can cause irreparable damage. Wait until the unit is completely dry before use.



Repair

DO NOT attempt to repair or adjust any electrical or mechanical functions on this unit, doing so will void your warranty. Repairs must only be carried out by Herschel or an authorised Herschel service partner.



Disposal

The heater is an electrical product and must not be disposed of in household waste. A high percentage of the heater can be recycled. Please treat as electrical waste and recycle in accordance with local regulations.



FRANÇAIS

MESURES DE SÉCURITÉ IMPORTANTES

Le non-respect de ces instructions entraîne l'annulation de la garantie.
Ne pas démonter. Il n'y a pas de pièces réparables par l'utilisateur à l'intérieur.

ATTENTION

POUR RÉDUIRE LE RISQUE D'INCENDIE, DE CHOC ÉLECTRIQUE OU DE BLESSURE

Cet appareil doit être débranché de sa source d'alimentation pendant les activités d'installation ou d'entretien et lors de son remplacement.

Le S3 est équipé d'un thermostat et d'un clavier de contrôle manuel de la température intégré et peut également être commandé à distance via un Smart Phone. Il convient de faire preuve de prudence lors de l'utilisation du chauffage à distance si des pièces peuvent être occupées par des personnes incapables de quitter la pièce par elles-mêmes, à moins qu'une surveillance constante ne soit assurée. Veillez à ce que les mesures de sécurité énoncées dans le présent manuel soient respectées, même lorsque le chauffage est utilisé à distance.

Le S3 est équipé de capteurs internes de sécurité à coupure thermique. Cependant, afin d'éviter toute surchauffe et tout risque d'incendie, ne couvrez en aucun cas le radiateur. **NE PAS** placer le radiateur à moins de 0,4 m de tout matériau inflammable (par exemple, meubles, rideaux).

NE PAS toucher le radiateur lorsqu'il est utilisé. Le S3 a une température de surface d'environ 95°C / 248°F (en fonction de la tension d'entrée) et un contact prolongé avec le chauffage peut provoquer des brûlures et des blessures.

NE PAS faire fonctionner l'appareil si le cordon ou la fiche est endommagé, si l'appareil fonctionne mal, s'il est tombé ou s'il a été endommagé de quelque manière que ce soit. Vérifiez que chaque appareil n'est pas endommagé avant de l'installer. Assurez-vous que l'appareil lui-même, la fiche et le câble ne présentent aucun signe visible de dommage. Si le câble est endommagé, l'appareil doit être envoyé pour réparation à un revendeur Herschel agréé.

Ce chauffage ne doit être utilisé que pour chauffer des personnes ou des bâtiments. L'appareil ne doit pas être utilisé par des enfants ou des personnes dont les capacités physiques, sensorielles ou mentales sont réduites, ou qui manquent d'expérience ou de connaissances. Les enfants doivent être tenus à l'écart et ne doivent pas être laissés sans surveillance à proximité de l'appareil. **NE PAS** utiliser l'appareil à l'extérieur.

Tous les opérateurs ne doivent allumer/éteindre l'appareil que s'il a été placé ou installé dans sa position d'utilisation prévue, conformément à ces instructions. Les enfants ne doivent pas brancher, allumer ou régler l'appareil, ni effectuer l'entretien, y compris le nettoyage.

Les radiateurs Herschel S3 sont conçus pour être utilisés avec une tension alternative comprise entre 220 et 240 volts, 50 Hz AC. Si votre tension d'alimentation est supérieure à 240 volts, n'utilisez pas le radiateur et adressez-vous à votre revendeur local. Le non-respect de cette consigne annulera la garantie.

L'appareil ne doit être utilisé qu'en position verticale, debout sur sa base. N'essayez jamais de le faire fonctionner à l'horizontale ou en le faisant reposer sur des objets de quelque nature que ce soit.

Le chauffage est conçu pour être portable et doit être placé sur des surfaces ininflammables.

PROTECTION CONTRE LA PÉNÉTRATION DE L'EAU IP44

Les radiateurs Herschel S3 sont conformes à une norme (minimum IP44) leur permettant d'être placés dans la zone 2 d'une salle de bains. Cela signifie qu'ils peuvent être placés en dehors des zones d'éclaboussures. Ils ne peuvent pas être installés dans les zones 0 ou 1. Ils ne doivent pas être utilisés pour sécher des vêtements ou des serviettes.

L'installation dans des pièces potentiellement humides ou mouillées telles que les salles de bains doit être effectuée par un installateur qualifié et être conforme aux exigences locales en matière de sécurité électrique. L'installation doit être telle que le chauffage ne puisse pas tomber dans une baignoire, une douche, une piscine ou tout autre récipient d'eau et que les interrupteurs et autres commandes ne puissent pas être touchés par une personne se trouvant dans la baignoire ou la douche.

En cas de doute, n'installez pas. Herschel Infrared Ltd ne sera pas responsable des pertes, dommages ou blessures causés ou résultant d'un montage inadéquat ou d'un placement incorrect des appareils de chauffage à proximité des sources d'eau.



AVERTISSEMENT

Le câblage de cet appareil doit être effectué conformément aux normes nationales de sécurité électrique en vigueur. Il s'agit d'un appareil de classe 1 qui doit être mis à la terre.

Dans les lieux publics, l'installation doit être conforme aux normes électriques locales en vigueur. Pour certains bâtiments publics tels que les écoles et les maisons de retraite, les appareils de chauffage doivent être placés conformément à la législation spécifique à ces types de bâtiments.

L'alimentation électrique de chaque appareil de chauffage doit être assurée par un circuit protégé par un fusible ou un dispositif à courant résiduel (DDR) ou un disjoncteur de fuite à la terre (DDFT) adapté à la puissance électrique de l'appareil.

Code de couleurs utilisé dans le câble d'alimentation fourni : Le fil BRUN doit être raccordé à la prise LIVE ("L"), le fil BLEU à la prise NEUTRE ("N") et le fil VERT/JAUNE à la prise TERRE ("E").

FRANÇAIS

ATTENTION

L'appareil est conçu pour être déplacé et est livré avec une prise. Tout câble d'alimentation électrique extérieur à l'appareil et entrant en contact ou à proximité immédiate de celui-ci doit être protégé par une gaine d'une température nominale d'au moins 90°C.

Tous les câbles situés derrière le chauffage doivent être maintenus à l'écart du chauffage et ne doivent pas constituer un risque de trébuchement.

NE PAS enrouler le câble d'alimentation.

NE PAS attachez ou nouez l'excédent de câble à la poignée située à l'arrière de l'appareil.

NE PAS placer l'appareil juste en dessous d'une prise de courant.

NE PAS percer l'élément chauffant, car cela causerait des dommages irréparables et serait dangereux.

NE PAS raccorder au réseau électrique un appareil de chauffage endommagé de quelque manière que ce soit.

Garantie de 5 Ans

Enregistrez votre produit ici <https://www.herschel-infrarouge.fr/service-clients/politique-de-garantie/>.

Dans les cinq ans suivant la date d'achat, Herschel réparera ou remplacera le chauffage si le défaut est dû à des vices de matériaux ou de fabrication. Cette garantie s'applique uniquement à un usage domestique standard et exclut les utilisations commerciales. En cas de réclamation au titre de la garantie, veuillez vous rendre dans la section Service clientèle du site Web de Herschel et suivre la procédure de réclamation au titre de la garantie. Vous aurez besoin d'une preuve d'achat et de photos de l'appareil de chauffage.

La condition préalable à la validité de la garantie est l'utilisation de l'appareil à la tension d'alimentation spécifiée et l'utilisation conformément aux conditions spécifiées dans le présent manuel. Toute autre garantie ou réclamation est exclue.

La garantie couvre uniquement la réparation ou le remplacement du produit défectueux et Herschel n'est pas responsable des frais d'installation ou des pertes indirectes, quelles qu'elles soient. La décision de réparer ou de remplacer le produit incombe uniquement à Herschel et tout remplacement sera aussi proche que possible de la spécification de l'appareil défectueux.

Le retrait du numéro de série annule la garantie. La garantie sera également annulée si l'appareil a été manipulé ou ouvert de quelque manière que ce soit.

L'étiquette d'alimentation du produit doit être laissée sur l'appareil de manière à ce qu'elle puisse être consultée après l'installation, si nécessaire.

Herschel Infrared Ltd n'assume aucune responsabilité pour les rayures sur la surface après la première utilisation.

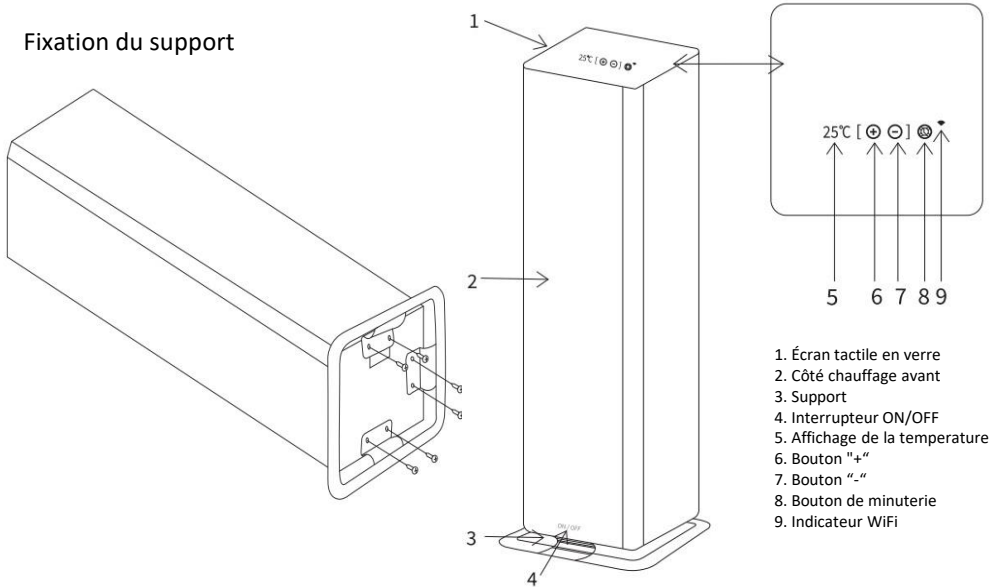
Clause de non-responsabilité

Herschel Infrared Ltd ne peut être tenu responsable des dommages, pertes ou blessures causés par la pénétration d'eau ou d'humidité, des dommages accidentels, une mauvaise manipulation, un impact externe, un réglage par du personnel non autorisé ou le non-respect des précautions d'entretien et de sécurité indiquées dans le manuel. Se référer à la politique de garantie de Herschel Infrared Ltd pour plus de détails. Voir <https://www.herschel-infrarouge.fr/>

FRANÇAIS

Mise en place

Fixation du support



Visser le support à la base du chauffage à l'aide des six vis fournies.

Placez le chauffage à la verticale une fois que le support a été fixé.

Le chauffage est équipé d'un boîtier de commande avec écran tactile en verre sur le dessus du chauffage (1).

Le chauffage peut être utilisé à une température de consigne fixe à l'aide des commandes de l'écran tactile (2). Par ailleurs, si le chauffage est associé à l'application Smart Life, il peut être entièrement programmé pour fonctionner selon un calendrier de chauffage défini et intégré pour fonctionner avec vos autres chauffages Herschel et appareils Smart Home. Si le signal wifi est perdu, le chauffage continuera à fonctionner à sa température de consigne actuelle, mais il ne changera pas au prochain réglage de l'horaire sur l'App, jusqu'à ce que la connexion wifi soit rétablie.

Pour allumer l'appareil, cliquez sur l'interrupteur ON/OFF (4) situé à l'avant du socle de l'appareil. Touchez le centre de l'écran tactile pour activer les commandes. La température actuelle (5) s'affiche. Réglez la température ambiante souhaitée à l'aide des boutons + et - (6 et 7). La température actuelle sera remplacée par la température de consigne pendant que vous réglez ce chiffre. La température de consigne clignotera pendant deux secondes après votre dernière saisie, puis reviendra à l'affichage de la température actuelle.

Une fonction de minuterie permet de programmer une durée de fonctionnement fixe (de 1 à 24 heures). Lorsque la minuterie est réglée, le chauffage fonctionne jusqu'à la température de consigne, mais s'éteint lorsque la minuterie a atteint zéro. Pour régler la minuterie, appuyez brièvement sur le bouton de la minuterie (8). L'écran affiche "00H". Cliquez sur les boutons + et - pour augmenter ou diminuer les heures de fonctionnement (01 = 1 heure, 12 = 12 heures, etc.).

FRANÇAIS**Fonctions supplémentaires**

Verrouillage enfant. Pour verrouiller la commande à écran tactile et empêcher toute modification accidentelle des réglages, appuyez simultanément sur les touches + et - pendant 3 secondes. La mention "CL" s'affiche sur l'écran de température. Pour supprimer le verrouillage enfant, cliquez sur + et - pendant 3 secondes supplémentaires et le chauffage reviendra à la commande tactile normale. Le verrouillage des enfants peut également être réglé dans l'application.

Détection de fenêtre ouverte (disponible dans l'application uniquement). Le chauffage est doté d'une fonction de "détection de fenêtre ouverte" lorsqu'il est associé à l'application Smart Life. Par défaut, cette fonction est désactivée, mais elle peut être activée dans les paramètres de l'application. Lorsqu'elle est activée, en cas de chute brutale de la température en peu de temps, le message "OPE" s'affiche à l'écran et le chauffage s'éteint pendant 30 minutes pour éviter de gaspiller de l'énergie. Au bout de 30 minutes, le chauffage se remettra en marche selon les réglages précédents.

Étalonnage. L'appareil peut être étalonné de manière à ce que sa température soit la même que celle des autres thermostats de la pièce. Pour procéder à l'étalonnage, cliquez sur le bouton de la minuterie et maintenez-le enfoncé pendant 3 secondes ; "0°C" s'affiche alors sur l'écran de la température. Utilisez les boutons + ou - pour augmenter l'étalonnage (+5C) ou le diminuer (-5C). Diminuez l'étalonnage si l'appareil surestime la température par rapport à un autre thermostat. Augmentez l'étalonnage si le chauffage sous-estime la température par rapport à un autre thermostat. L'étalonnage peut également être réglé dans l'application.

Réinitialisation d'usine. Si vous rencontrez des problèmes pendant le fonctionnement, y compris l'appairage wifi, vous pouvez réinitialiser les paramètres d'usine. Pour réinitialiser les paramètres d'usine, appuyez sur la touche - pendant 5 secondes pour réinitialiser le chauffage. Après la réinitialisation, l'appareil fonctionnera en mode manuel jusqu'à ce qu'il soit à nouveau apparié à l'application.

Fonctionnement - utilisation de l'application SmartLife

Le Select S3 peut être couplé directement avec l'application Smart Life via le wifi de votre maison et peut ensuite être commandé via votre téléphone, ainsi que manuellement via l'écran tactile. Grâce à Smart Life, vous pouvez régler la température à distance, allumer et éteindre le chauffage ou le faire fonctionner selon un programme.

Veillez à suivre scrupuleusement les instructions d'appairage. Une aide en ligne est également disponible dans la section Help & Support de votre site Web Herschel local.

Associer le S3 à Smart Life

Dans toutes les étapes de l'appairage, assurez-vous que votre téléphone portable et le S3 sont connectés à une connexion sans fil de 2,4 GHz. L'appairage ne sera pas possible avec une connexion 5GHz.

Télécharger et installer l'application Smart Life

Scannez le code QR ci-dessous pour télécharger l'application Smartlife depuis l'App Store ou Google Play.

Vous pouvez également rechercher "Smart Life" sur Google Play ou l'App Store et rechercher cette icône.



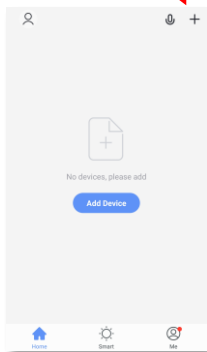
FRANÇAIS

Après avoir installé et ouvert l'application Smart Life, vous devez créer un compte à l'aide d'une adresse électronique et d'un mot de passe et accepter les conditions d'utilisation.

Pour procéder à l'appairage, allumez votre S3 (ou éteignez-le puis rallumez-le pour lancer la découverte du Wifi). L'indicateur wifi sur l'écran de contrôle doit clignoter rapidement.

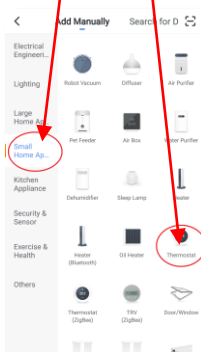
Accédez à l'écran d'accueil de l'application Smart Life.

Appuyez sur "+" en haut à droite de l'application



Lors de l'ajout d'un thermostat, il vous sera demandé d'entrer votre mot de passe Wifi pour coupler le thermostat à ce réseau.

Sélectionnez "Petits appareils ménagers" puis "Thermostats Wifi"



Confirmez dans l'application Smart Life que le voyant wifi clignote rapidement et le processus d'appairage commencera. Veuillez laisser le processus se dérouler jusqu'à 100% sur l'application.

Le processus d'appairage est très fiable sur une connexion 2.4GHz. En cas d'échec, assurez-vous que vous êtes bien sur une connexion 2.4GHz et réessayez le processus d'appairage.

Autre mode d'appariement

Si l'appairage échoue de manière répétée et que l'application propose un "mode d'appairage alternatif" (mode AP), vous pouvez changer de mode d'appairage (le symbole Wifi clignote lentement). Le chauffage étant allumé, cliquez sur le bouton + pendant 3 secondes jusqu'à ce que l'écran tactile affiche "OFF" dans l'affichage de la température. Cliquez ensuite sur le bouton Timer pendant 5 secondes et le symbole wifi clignotera lentement. Redémarrez l'appairage dans l'application et confirmez que le symbole wifi clignote lentement.

Vous pouvez répéter le processus ci-dessus pour revenir au mode d'appairage EZ (symbole wifi clignotant rapidement).

Désactiver le wifi

Le wifi peut être entièrement désactivé en cliquant sur le bouton + pendant 3 secondes jusqu'à ce que l'écran tactile affiche "OFF" dans l'affichage de la température. Cliquez ensuite sur le bouton - et maintenez-le enfoncé pendant 10 secondes pour désactiver le wifi. Cliquez sur le bouton - et maintenez-le enfoncé pendant 5 secondes pour réactiver le wifi.

Fonctions supplémentaires dans l'application

Les réglages disponibles dans l'application ne sont pas disponibles sur l'écran tactile.

- Smart Mode - vous permet de configurer et de faire fonctionner votre chauffage selon un programme quotidien.
- Commande à distance du chauffage, où que vous soyez, via Internet.
- Vérifier la consommation d'énergie du chauffage (voir Paramètres => Statistiques d'économie d'énergie).
- Désactiver les "bips" sonores qui peuvent parfois être émis par l'unité de contrôle du chauffage.

Nettoyage et entretien



Général

Veillez noter qu'il est possible que le chauffage se décolore à l'usage - cela est dû à la pollution de l'air et n'est pas un défaut. Le chauffage est conçu pour durer de nombreuses années et comporte plusieurs dispositifs de sécurité, mais si le chauffage n'a pas été utilisé ou installé conformément à ces instructions, s'il émet un bruit ou une odeur, s'il présente une décoloration rapide de la surface ou des températures exceptionnellement élevées, cessez d'utiliser le chauffage et adressez-vous au service clientèle de Herschel ou à votre revendeur Herschel local.



Nettoyage

Avant de nettoyer le chauffe-eau, débranchez-le, isolez-le de l'alimentation électrique et laissez-le refroidir complètement.

NE PAS immerger l'appareil dans l'eau ou l'asperger d'eau.

Nettoyez l'appareil à l'aide d'un chiffon humide. N'utilisez jamais un chiffon mouillé. Une fois les surfaces nettoyées, séchez-les avec un chiffon sec.

N'appliquez PAS de matériaux abrasifs, de solvants ou de lingettes solvantes sur la surface, car cela pourrait l'endommager irrémédiablement. Attendez que l'appareil soit complètement sec avant de l'utiliser.



Réparation

N'essayez PAS de réparer ou d'ajuster les fonctions électriques ou mécaniques de cet appareil, cela annulerait votre garantie. Les réparations ne doivent être effectuées que par Herschel ou un partenaire de service agréé par Herschel.



Disposition

Le chauffage est un produit électrique et ne doit pas être jeté dans les ordures ménagères. Un pourcentage élevé de l'appareil de chauffage peut être recyclé. Veuillez les traiter comme des déchets électriques et les recycler conformément aux réglementations locales.



WICHTIGE SICHERHEITSHINWEISE

Bei Nichtbeachtung dieser Anweisungen erlischt der Garantieanspruch.
Nicht demontieren. Keine vom Benutzer zu wartenden Teile im Inneren.



ACHTUNG

UM DIE GEFAHR VON BRÄNDEN, STROMSCHLÄGEN ODER VERLETZUNGEN ZU VERRINGERN

Dieses Gerät muss während der Installation, bei Wartungsarbeiten und beim Austausch von Geräten von der Stromquelle getrennt werden.

Der S3 ist mit einem Thermostat und einer eingebauten Tastatur zur manuellen Temperaturregelung ausgestattet und kann auch aus der Ferne über ein Smart Phone bedient werden. Seien Sie vorsichtig, wenn Sie das Heizgerät aus der Ferne bedienen, wenn Räume von Personen bewohnt werden können, die nicht in der Lage sind, den Raum selbständig zu verlassen, es sei denn, es wird eine ständige Aufsicht gewährleistet. Bitte stellen Sie sicher, dass die Sicherheitsvorkehrungen in diesem Handbuch beachtet werden, auch wenn das Heizgerät aus der Ferne bedient wird.

Das S3 verfügt über interne Sicherheitssensoren zur thermischen Abschaltung. Um jedoch eine Überhitzung und eine mögliche Brandgefahr zu vermeiden, darf das Heizgerät unter keinen Umständen abgedeckt werden. Stellen Sie das Heizgerät **NICHT** in einem Umkreis von 0,4 m von brennbaren Materialien (z. B. Möbel, Vorhänge) auf.

Berühren Sie das Heizgerät **NICHT**, wenn es in Betrieb ist. Das S3 hat eine Oberflächentemperatur von ca. 95°C / 248°F (je nach Eingangsspannung) und längerer Kontakt mit dem Heizgerät kann zu Verbrennungen und Verletzungen führen.

Nehmen Sie das Heizgerät **NICHT** in Betrieb, wenn das Kabel oder der Stecker beschädigt ist, wenn das Heizgerät eine Fehlfunktion aufweist oder wenn es fallen gelassen oder in irgendeiner Weise beschädigt wurde. Überprüfen Sie jedes Heizgerät vor der Installation auf Schäden. Vergewissern Sie sich, dass das Heizgerät selbst, der Stecker und das Kabel keine sichtbaren Anzeichen von Schäden aufweisen. Wenn das Kabel beschädigt ist, muss das Gerät zur Reparatur an einen Herschel-Vertragshändler geschickt werden.

Dieses Heizgerät darf nur für die Beheizung von Personen oder Gebäuden verwendet werden. Das Heizgerät darf nicht von Kindern oder Personen mit eingeschränkten körperlichen, sensorischen oder geistigen Fähigkeiten oder mangelnder Erfahrung oder Kenntnis verwendet werden. Kinder sollten ferngehalten werden und nicht unbeaufsichtigt in der Nähe des Gerätes gelassen werden. **NICHT** im Freien verwenden.

Alle Bediener dürfen das Gerät nur dann ein- und ausschalten, wenn es in Übereinstimmung mit dieser Anleitung in seiner vorgesehenen Betriebsposition aufgestellt oder installiert wurde. Kinder dürfen das Gerät nicht einstecken, einschalten oder regulieren und keine Wartungsarbeiten, einschließlich Reinigung, durchführen.

Herschel S3-Heizgeräte sind für den Betrieb mit einer Wechselspannung zwischen 220-240 Volt, 50 Hz AC ausgelegt. Wenn Ihre Netzspannung 240 Volt übersteigt, verwenden Sie das Heizgerät nicht und wenden Sie sich an Ihren örtlichen Händler. Bei Nichteinhaltung erlischt die Garantie.

Das Heizgerät darf nur in aufrechter Position auf seinem Sockel stehend betrieben werden. Versuchen Sie niemals, das Heizgerät waagrecht zu betreiben oder gegen irgendwelche Gegenstände zu stützen.

Das Heizgerät ist für den mobilen Einsatz konzipiert und muss auf nicht brennbaren Oberflächen aufgestellt werden.

Wasserschutz IP44

Herschel Select XLS-Heizpaneele entsprechen einem Standard (mindestens IP44), sodass sie sich in Zone 2 eines Badezimmers befinden können. Dies bedeutet, dass sie über einem Waschbecken oder außerhalb von Spritzzonen platziert oder an der Decke installiert werden können. Sie können nicht in den Zonen 0 oder 1 installiert werden.

Die Installation in möglicherweise nassen oder feuchten Räumen wie Badezimmern muss jedoch von einem entsprechend qualifizierten Installateur durchgeführt werden und den örtlichen Anforderungen an die elektrische Sicherheit entsprechen. Die Installation muss so erfolgen, dass sich die Heizung nicht von den Armaturen lösen und in eine Badewanne, Dusche, ein Schwimmbad oder einen anderen Wasserbehälter fallen kann. Schalter und andere Bedienelemente dürfen von einer Person in der Badewanne oder Dusche nicht berührt werden.

Im Zweifelsfall nicht installieren. Herschel Infrared Ltd haftet nicht für Verluste, Schäden oder Verletzungen, die durch unzureichende Montage oder falsche Platzierung von Heizgeräten in der Nähe von Wasserquellen verursacht werden.

WARNUNG

DEUTSCH

Die Verkabelung dieses Geräts muss in Übereinstimmung mit den einschlägigen nationalen elektrischen Sicherheitsnormen erfolgen. Es ist ein Gerät der Klasse 1 und muss geerdet werden.

Bei der Aufstellung in öffentlichen Bereichen muss die Installation den einschlägigen lokalen elektrischen Normen entsprechen. In bestimmten öffentlichen Gebäuden wie Schulen und Pflegeheimen müssen die Heizgeräte gemäß den für diese Gebäudetypen geltenden Vorschriften aufgestellt werden.

Die Stromversorgung jedes Heizgeräts sollte durch Anschluss an einen Stromkreis erfolgen, der durch eine Sicherung oder einen Fehlerstromschutzschalter (RCD) oder einen FI-Schutzschalter (GFCI) geschützt ist, der für die elektrische Leistung des Geräts geeignet ist.

Farbcodierung des mitgelieferten Netzkabels: Das BRAUNE Kabel muss an LIVE ('L'), das BLAUE Kabel an NEUTRAL ('N') und das GRÜNE/GELBE Kabel an EARTH ('E') angeschlossen werden.

VORSICHT

Das Heizgerät ist so konstruiert, dass es beweglich ist und wird mit einem Stecker geliefert. Alle Netzkabel außerhalb des Heizgeräts, die mit dem Heizgerät in Berührung kommen oder sich in dessen unmittelbarer Nähe befinden, müssen durch eine Ummantelung mit einer Temperaturbeständigkeit von mindestens 90°C geschützt werden.

Die gesamte Verkabelung hinter dem Heizgerät muss vom Heizgerät ferngehalten werden und darf keine Stolperfalle darstellen.

Wickeln Sie das Stromkabel NICHT auf.

Überschüssiges Kabel NICHT am Griff auf der Rückseite des Heizgeräts befestigen oder festbinden.

Stellen Sie das Heizgerät NICHT direkt unter einer Steckdose auf.

Bohren Sie NICHT durch das Heizgerät, da dies zu irreparablen Schäden führen kann und außerdem gefährlich ist.

Schließen Sie ein Heizgerät, das in irgendeiner Weise beschädigt ist, NICHT an das Stromnetz an.

5 Jahre Garantie

Registrieren Sie Ihr Produkt hier <https://www.herschel-infrarotheizung.de/kundendienst/garantiebestimmungen/>.

Innerhalb von fünf Jahren ab Kaufdatum repariert oder ersetzt Herschel das Heizgerät, wenn der Fehler auf Material- oder Verarbeitungsfehler zurückzuführen ist. Diese Garantie gilt nur für den normalen Hausgebrauch und schließt die gewerbliche Nutzung aus. Im Falle eines Garantieanspruchs besuchen Sie bitte den Kundendienstbereich auf der Herschel-Website und folgen Sie dem Garantieanspruchsprozess. Sie benötigen einen Kaufnachweis und Fotos des Heizgeräts.

Voraussetzung für die Gültigkeit der Garantie ist die Verwendung bei der angegebenen Versorgungsspannung des Heizgeräts und die Verwendung gemäß den in dieser Anleitung angegebenen Bedingungen. Weitergehende Garantie- oder Gewährleistungsansprüche sind ausgeschlossen.

Die Garantie erstreckt sich nur auf die Reparatur oder den Ersatz des defekten Produktes und Herschel übernimmt keine Haftung für Installationskosten oder Folgeschäden, wie auch immer diese entstehen. Die Entscheidung über die Reparatur oder den Ersatz liegt allein bei Herschel, und jeder Ersatz wird so nah wie möglich an den Spezifikationen des defekten Heizgeräts sein.

Das Entfernen der Seriennummer führt zum Erlöschen der Garantie. Die Garantie erlischt auch, wenn das Heizgerät in irgendeiner Weise manipuliert oder geöffnet wurde.

Das Typenschild muss am Heizgerät verbleiben, so dass es bei Bedarf nach der Installation zugänglich ist.

Herschel Infrared Ltd. übernimmt keine Verantwortung für Kratzer auf der Oberfläche nach dem ersten Gebrauch.

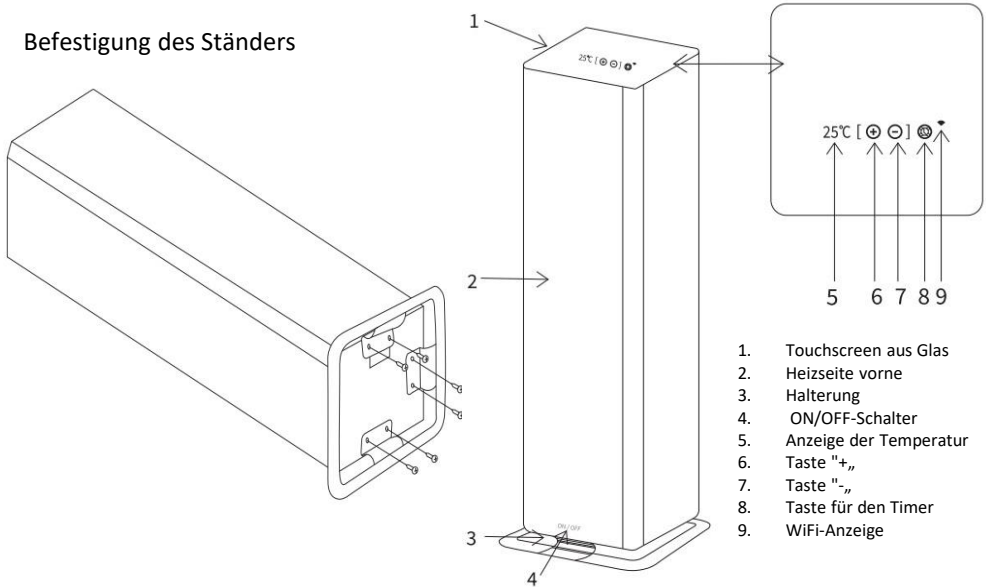
Haftungsausschluss

Herschel Infrared Ltd. übernimmt keine Verantwortung für Schäden, Verluste oder Verletzungen, die durch das Eindringen von Wasser oder Feuchtigkeit, versehentliche Beschädigung, falsche Handhabung, äußere Einwirkungen, Einstellung durch nicht autorisiertes Personal oder Nichtbeachtung der korrekten Wartungs- und Sicherheitsvorkehrungen, wie in der Bedienungsanleitung angegeben, verursacht wurden. Ausführliche Informationen finden Sie in der Garantieerklärung von Herschel Infrared Ltd.

Siehe <https://www.herschel-infrarotheizung.de/>.

Einrichtung

Befestigung des Ständers



1. Touchscreen aus Glas
2. Heizseite vorne
3. Halterung
4. ON/OFF-Schalter
5. Anzeige der Temperatur
6. Taste "+"
7. Taste "-"
8. Taste für den Timer
9. WiFi-Anzeige

Schrauben Sie den Ständer mit den sechs mitgelieferten Schrauben auf den Sockel des Heizgeräts.

Stellen Sie das Heizgerät nach dem Anbringen des Ständers aufrecht hin.

Das Heizgerät verfügt über einen Schaltkasten mit Touchscreen-Glasoberfläche auf der Oberseite des Heizgeräts (1).

Das Heizgerät kann über die Touchscreen-Bedienelemente (2) auf einen festen Temperatursollwert eingestellt werden. Wenn das Heizgerät mit der Smart Life App gekoppelt ist, kann es alternativ vollständig programmiert werden, um nach einem festgelegten Heizplan zu laufen und mit Ihren anderen Herschel-Heizgeräten und Smart Home-Geräten zusammenzuarbeiten. Wenn das WLAN-Signal unterbrochen wird, arbeitet das Heizgerät mit der aktuellen Solltemperatur weiter, ändert sich jedoch nicht bei der nächsten Zeitpläneinstellung in der App, bis die WLAN-Verbindung wiederhergestellt ist.

Um das Heizgerät einzuschalten, klicken Sie auf den EIN/AUS-Schalter (4) an der Vorderseite des Heizgeräts. Berühren Sie die Mitte des Touchscreens, um die Bedienelemente zu aktivieren. Die aktuelle Temperatur (5) wird angezeigt. Stellen Sie die gewünschte Raumtemperatur mit den Tasten + und - (6 & 7) ein. Die aktuelle Temperatur wird durch die Solltemperatur ersetzt, während Sie diese Zahl einstellen. Die Solltemperatur blinkt nach der letzten Eingabe zwei Sekunden lang und zeigt dann wieder die aktuelle Temperatur an.

Es gibt eine Timerfunktion, mit der Sie eine feste Betriebszeit (1 - 24 Stunden) für das Heizgerät programmieren können. Wenn der Timer eingestellt ist, arbeitet das Heizgerät bis zur eingestellten Temperatur, schaltet sich aber aus, wenn der Timer Null erreicht hat. Um den Timer einzustellen, tippen Sie kurz auf die Timer-Taste (8). Auf dem Bildschirm wird "00H" angezeigt. Klicken Sie auf die Tasten + und -, um die Betriebsstunden zu erhöhen oder zu verringern (01 = 1 Stunde, 12 = 12 Stunden usw.).

Zusätzliche Funktionen

Kindersicherung. Um die Touchscreen-Steuerung zu sperren und versehentliche Änderungen der Einstellungen zu verhindern, drücken Sie + und - gleichzeitig 3 Sekunden lang. In der Temperaturanzeige wird "CL" angezeigt. Um die Kindersicherung aufzuheben, drücken Sie + und - für weitere 3 Sekunden und das Heizgerät kehrt zur normalen Touchscreen-Steuerung zurück. Die Kindersicherung kann auch in der App eingestellt werden.

Erkennung offener Fenster (nur in der App verfügbar). Das Heizgerät verfügt über die Funktion "Erkennung offener Fenster", wenn es mit der Smart Life App gekoppelt ist. Die Funktion ist standardmäßig ausgeschaltet, kann aber in den App-Einstellungen aktiviert werden. Wenn diese Funktion aktiviert ist, wird bei einem drastischen Temperaturabfall in kurzer Zeit "OPE" auf dem Bildschirm angezeigt und das Heizgerät wird für 30 Minuten ausgeschaltet, um Energieverschwendung zu vermeiden. Nach 30 Minuten wird das Heizgerät mit den vorherigen Einstellungen wieder eingeschaltet.

Kalibrierung. Das Heizgerät kann kalibriert werden, damit es die gleichen Werte wie andere Thermostate in einem Raum anzeigt. Um die Kalibrierung zu starten, halten Sie die Timer-Taste 3 Sekunden lang gedrückt, woraufhin "0°C" in der Temperaturanzeige erscheint. Verwenden Sie die Tasten + oder -, um die Kalibrierung zu erhöhen (+5C) oder zu verringern (-5C). Verringern Sie die Kalibrierung, wenn das Heizgerät die Temperatur im Vergleich zu einem anderen Thermostat zu hoch anzeigt. Erhöhen Sie die Kalibrierung, wenn das Heizgerät die Temperatur im Vergleich zu einem anderen Thermostat zu niedrig anzeigt. Die Kalibrierung kann auch in der App eingestellt werden.

Zurücksetzen auf Werkseinstellungen. Wenn während des Betriebs Probleme auftreten, einschließlich der WLAN-Kopplung, können Sie das Gerät auf die Werkseinstellungen zurücksetzen. Um das Heizgerät auf die Werkseinstellungen zurückzusetzen, drücken Sie 5 Sekunden lang die Taste -, um das Gerät zurückzusetzen. Nach dem Zurücksetzen arbeitet das Heizgerät im manuellen Modus, bis es erneut mit der App gekoppelt wird.

Bedienung - mit der SmartLife-App

Der Select S3 Heater kann direkt mit der Smart Life App über Ihr Heim-WLAN gekoppelt werden und kann dann über Ihr Telefon sowie manuell über den Touchscreen bedient werden. Mit Smart Life können Sie die Temperatur aus der Ferne einstellen, die Heizung ein- und ausschalten oder die Heizung nach einem Zeitplan laufen lassen.

Achten Sie darauf, dass Sie die Anweisungen zur Kopplung genau befolgen. Online-Hilfe ist auch über den Abschnitt Hilfe & Support auf Ihrer lokalen Herschel-Website verfügbar.

Koppeln des S3 mit Smart Life

Achten Sie bei allen Kopplungsschritten darauf, dass Ihr Mobiltelefon und das S3 mit einer 2,4-GHz-Wireless-Verbindung verbunden sind. Bei einer 5GHz-Verbindung wird das Pairing nicht erfolgreich sein.

Herunterladen und Installieren der Smart Life App


Scannen Sie den QR-Code unten, um die Smartlife App aus dem App Store oder von Google Play herunterzuladen. Alternativ können Sie bei Google Play oder im App Store nach "Smart Life" suchen und nach diesem Symbol Ausschau halten.

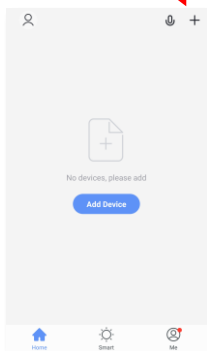


Nachdem Sie die Smart Life App installiert und geöffnet haben, müssen Sie ein Konto mit einer E-Mail-Adresse und einem Kennwort registrieren und die Nutzungsbedingungen akzeptieren.

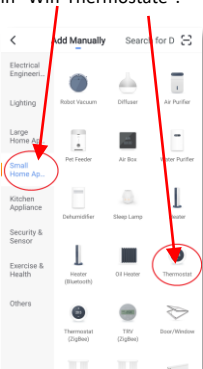
Zum Koppeln schalten Sie Ihr S3 ein (oder schalten Sie es aus und dann wieder ein, um die WLAN-Erkennung zu starten). Die WiFi-Anzeige auf dem Kontrollbildschirm sollte schnell blinken.

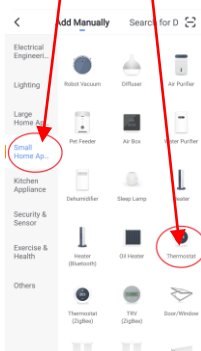
Rufen Sie den Startbildschirm der Smart Life App auf.

Tippen Sie oben rechts in der App auf '+'. 



Wenn Sie ein Thermostat hinzufügen, werden Sie aufgefordert, Ihr Wifi-Passwort einzugeben, um das Thermostat mit dem Netzwerk zu verbinden.

Wählen Sie "Kleine Haushaltsgeräte" und dann "Wifi-Thermostate". 



Bestätigen Sie in der Smart Life App, dass die WLAN-Anzeige schnell blinkt und der Kopplungsprozess beginnt. Bitte lassen Sie den Prozess in der App bis zu 100% ablaufen.

Der Kopplungsprozess ist bei einer 2,4-GHz-Verbindung sehr zuverlässig. Sollte der Prozess fehlschlagen, vergewissern Sie sich bitte, dass Sie eine 2,4-GHz-Verbindung haben und versuchen Sie den Kopplungsprozess erneut.

Alternativer Kopplungsmodus

Wenn die Kopplung wiederholt fehlschlägt und die App den "alternativen Kopplungsmodus" (AP-Modus) vorschlägt, können Sie den Kopplungsmodus ändern (Wifi-Symbol blinkt langsam). Klicken Sie bei eingeschaltetem Heizgerät 3 Sekunden lang auf die Taste +, bis der Touchscreen in der Temperaturanzeige "OFF" anzeigt. Dann klicken Sie 5 Sekunden lang auf die Timer-Taste und das Wifi-Symbol blinkt langsam. Starten Sie das Pairing in der App erneut und bestätigen Sie, dass das Wifi-Symbol langsam blinkt. Sie können den obigen Vorgang auch wiederholen, um zurück in den EZ-Pairing-Modus zu wechseln (Wifi-Symbol blinkt schnell).

Wifi deaktivieren

Das WLAN kann vollständig deaktiviert werden, indem Sie 3 Sekunden lang auf die Taste + klicken, bis auf dem Touchscreen in der Temperaturanzeige "OFF" angezeigt wird. Halten Sie dann die Taste - 10 Sekunden lang gedrückt, um das WLAN zu deaktivieren. Klicken und halten Sie die - Taste für 5 Sekunden, um das WLAN wieder zu aktivieren.

Zusätzliche Funktionen in der App

In der App verfügbare Einstellungen sind auf der Touchscreen-Steuerung nicht verfügbar.

- Smart Mode - ermöglicht es Ihnen, Ihr Heizgerät nach einem täglichen Zeitplan einzurichten und zu betreiben.
- Fernsteuerung des Heizgerätes über das Internet, egal wo Sie sich befinden.
- Überprüfen Sie den Energieverbrauch des Heizgerätes (Gehen Sie zu Einstellungen => Energiesparstatistik).
- Deaktivieren Sie die akustischen "Pieptöne", die gelegentlich von der Steuereinheit des Heizgerätes ausgegeben werden können.

Reinigung und Wartung**Allgemein**

Bitte beachten Sie, dass es möglich ist, dass sich das Heizgerät im Laufe des Gebrauchs verfärbt - dies wird durch Luftverschmutzung verursacht und stellt keinen Fehler dar.

Das Heizgerät ist für eine lange Lebensdauer ausgelegt und verfügt über mehrere Sicherheitsmerkmale. Wenn das Heizgerät jedoch nicht gemäß dieser Anleitung verwendet oder installiert wurde, Geräusche oder Gerüche von sich gibt, eine schnelle Verfärbung der Oberfläche oder außergewöhnlich hohe Temperaturen aufweist, stellen Sie die Verwendung des Heizgeräts ein und wenden Sie sich an den Herschel-Kundendienst oder Ihren Herschel-Händler vor Ort.

**Reinigung**

Bevor Sie versuchen, das Heizgerät zu reinigen, ziehen Sie den Stecker, trennen Sie das Gerät von der Stromversorgung und lassen Sie es vollständig abkühlen.

Tauchen Sie das Heizgerät NICHT in Wasser ein und spritzen Sie kein Wasser darauf.

Reinigen Sie das Heizgerät mit einem feuchten Tuch. Verwenden Sie niemals ein nasses Tuch. Trocknen Sie die Oberflächen nach der Reinigung mit einem trockenen Tuch ab.

Verwenden Sie KEINE Scheuermittel, Lösungsmittel oder Reinigungstücher für die Oberfläche, da dies zu irreparablen Schäden führen kann. Warten Sie, bis das Gerät vollständig trocken ist, bevor Sie es benutzen.

**Reparatur**

Versuchen Sie NICHT, elektrische oder mechanische Funktionen dieses Geräts zu reparieren oder einzustellen, da dies zum Erlöschen der Garantie führt. Reparaturen dürfen nur von Herschel oder einem autorisierten Herschel-Servicepartner durchgeführt werden.

**Entsorgung**

Das Heizgerät ist ein elektrisches Produkt und darf nicht über den Hausmüll entsorgt werden. Ein hoher Prozentsatz des Heizgerätes kann recycelt werden. Bitte behandeln Sie ihn als Elektroschrott und recyceln Sie ihn gemäß den örtlichen Vorschriften.



NEDERLANDS

BELANGRIJKE VEILIGHEIDSVORSCHRIFTEN

Als deze instructies niet worden opgevolgd, vervalt de garantie. Niet uit elkaar halen. Binnenin zitten geen onderdelen die door de gebruiker kunnen worden gerepareerd.



WAARSCHUING

OM HET RISICO VAN BRAND, ELEKTRISCHE SCHOKKEN OF LETSEL TE VERMINDEREN

Dit apparaat moet worden losgekoppeld van de stroombron tijdens installatie- of onderhoudswerkzaamheden en bij vervanging. De S3 is uitgerust met een thermostaat en een ingebouwd handmatig temperatuurregeltoetsbord en kan ook op afstand worden bediend via een smartphone. Wees voorzichtig bij het op afstand bedienen van de verwarming als er kamers kunnen worden bezet door mensen die niet in staat zijn om zelfstandig de kamer te verlaten, tenzij er voortdurend toezicht is. Zorg ervoor dat de veiligheidsmaatregelen in deze handleiding worden nageleefd, zelfs wanneer de verwarmers op afstand wordt bediend.

De S3 heeft interne thermische veiligheidssensoren. Om oververhitting en mogelijk brandgevaar te voorkomen, mag u het verwarmingselement echter in geen geval afdekken. Plaats het verwarmingselement NIET binnen 0,4 m van brandbare materialen (bijv. meubels, gordijnen).

Raak het verwarmingselement NIET aan wanneer het in gebruik is. De S3 heeft een oppervlaktetemperatuur van ongeveer 95°C / 248°F (afhankelijk van de ingangsspanning) en langdurig contact met het verwarmingselement kan brandwonden en letsel veroorzaken. Gebruik de verwarmers NIET als het snoer of de stekker beschadigd is, als de verwarmers niet goed werkt of als hij gevallen of beschadigd is. Controleer elk verwarmingselement op beschadigingen voordat u het installeert. Controleer of de verwarmers zelf, de stekker en het snoer geen zichtbare tekenen van beschadiging vertonen. Als het snoer beschadigd is, moet het apparaat ter reparatie worden opgestuurd naar een erkende Herschel-dealer.

Deze verwarmers mag alleen worden gebruikt voor het verwarmen van personen of gebouwen. De verwarmers mag niet worden gebruikt door kinderen of personen met verminderde fysieke, zintuiglijke of mentale vermogens, of met een gebrek aan ervaring of kennis. Kinderen moeten uit de buurt worden gehouden en mogen niet zonder toezicht in de buurt van de unit worden achtergelaten. NIET buitenshuis gebruiken.

Alle gebruikers mogen het apparaat alleen in- en uitschakelen als het in overeenstemming met deze instructies in de bedoelde gebruikspositie is geplaatst of geïnstalleerd. Kinderen mogen het apparaat niet aansluiten, aanzetten of regelen en geen gebruikersonderhoud uitvoeren, inclusief schoonmaken.

Herschel S3 verwarmers zijn ontworpen voor gebruik met een AC voltage tussen 220-240 volt, 50 Hz AC. Als uw netspanning hoger is dan 240 Volt, gebruik de heater dan niet en neem contact op met uw lokale dealer. Als u zich hier niet aan houdt, vervalt de garantie.

De verwarmers is ontworpen om draagbaar te zijn en moet op een niet-brandbare ondergrond worden geplaatst.

BESCHERMING TEGEN BINNENDRINGEND WATER IP44

Herschel S3-verwarmers voldoen aan een norm (minimaal IP44) waardoor ze in zone 2 van een badkamer geplaatst kunnen worden. Dit betekent dat ze buiten de spatwaterzones geplaatst mogen worden. Ze kunnen niet worden geïnstalleerd in zone 0 of 1. Ze mogen niet gebruikt worden voor het drogen van kleding of handdoeken.

Installatie in potentieel natte of vochtige ruimtes, zoals badkamers, moet worden uitgevoerd door een gekwalificeerde installateur en moet voldoen aan de plaatselijke elektrische veiligheidsvoorschriften. De installatie moet zodanig worden uitgevoerd dat het verwarmingselement niet in een badkuip, douche, zwembad of ander waterreservoir kan vallen en dat schakelaars en andere bedieningselementen niet kunnen worden aangeraakt door een persoon in bad of onder de douche.

In geval van twijfel niet installeren. Herschel Infrarood Ltd is niet aansprakelijk voor verlies, schade of letsel veroorzaakt door of als gevolg van onjuiste installatie of onjuiste plaatsing van verwarmers in de buurt van waterbronnen.

NEDERLANDS

WAARSCHUWING

De bedrading naar dit apparaat moet worden aangesloten in overeenstemming met de relevante nationale elektrische veiligheidsnormen. Het is een apparaat van klasse 1 en moet worden geaard.

Bij plaatsing in openbare ruimtes moet de installatie voldoen aan de relevante lokale elektrische normen. Voor bepaalde openbare gebouwen zoals scholen en verzorgingstehuizen moeten de verwarmers worden geplaatst volgens de specifieke wetgeving voor dit soort gebouwen.

De elektrische voeding van elk verwarmingsapparaat moet worden aangesloten op een circuit dat beveiligd is met een zekering of aardlekschakelaar (RCD) of aardlekschakelaar (GFCI) die geschikt is voor de elektrische rating van het apparaat.

Kleurcodering van het meegeleverde netsnoer: De BRUINE draad moet worden aangesloten op LANGZAAM ('L'), de BLAUWE draad op NUTRAAL ('N') en de GROENE/GELE draad op AARDE ('E').

LET OP

De verwarmers zijn ontworpen om verplaatsbaar te zijn en wordt geleverd met een stekker. Alle netbedrading buiten de verwarmers die in contact komt met de verwarmers of zich in de nabijheid van de verwarmers bevindt, moet worden beschermd door een kous met een temperatuurclassificatie van minstens 90 °C.

Alle bekabeling achter de verwarming moet uit de buurt van de verwarming worden gehouden en mag geen struikelgevaar vormen.

Rol de voedingskabel NIET op.

Bevestig of bind overtollige kabel NIET aan de handgreep aan de achterkant van het verwarmingselement.

Plaats het verwarmingselement NIET direct onder een wandcontactdoos.

Boor NIET door het verwarmingselement heen, want dat veroorzaakt onherstelbare schade en is bovendien gevaarlijk.

Sluit een verwarming die op een of andere manier beschadigd is NIET aan op het elektriciteitsnet.

5 Jaar Garantie

Registreer je product hier <https://www.herschel-infrarood.nl/klantenservice/garantie-registratie/>.

Binnen vijf jaar na aankoopdatum zal Herschel het verwarmingselement repareren of vervangen wanneer het defect te wijten is aan materiaal- of fabricagefouten. Deze garantie geldt alleen voor standaard huishoudelijk gebruik en niet voor commercieel gebruik. Als je aanspraak wilt maken op de garantie, ga dan naar de Klantenservice van de Herschel website en volg de procedure voor garantieclaims. Je hebt een aankoopbewijs en foto's van het verwarmingselement nodig.

Een voorwaarde voor de geldigheid van de garantie is het gebruik bij de opgegeven voedingsspanning van de verwarmers en het gebruik in overeenstemming met de in deze handleiding beschreven voorwaarden. Verdere garantie of claims zijn uitgesloten.

De garantie dekt alleen de reparatie of vervanging van het defecte product en Herschel is niet aansprakelijk voor installatiekosten of gevolgschade hoe dan ook ontstaan. De beslissing om te repareren of vervangen ligt uitsluitend bij Herschel en elke vervanging zal qua specificatie zo dicht mogelijk bij het defecte verwarmingselement liggen. Het verwijderen van het serienummer maakt de garantie ongeldig. De garantie vervalt ook als er met het verwarmingselement is geknoeid of als het op enigerlei wijze is geopend.

Het voedingslabel van het product moet op de verwarmers worden gelaten, zodat het na installatie indien nodig kan worden geraadpleegd.

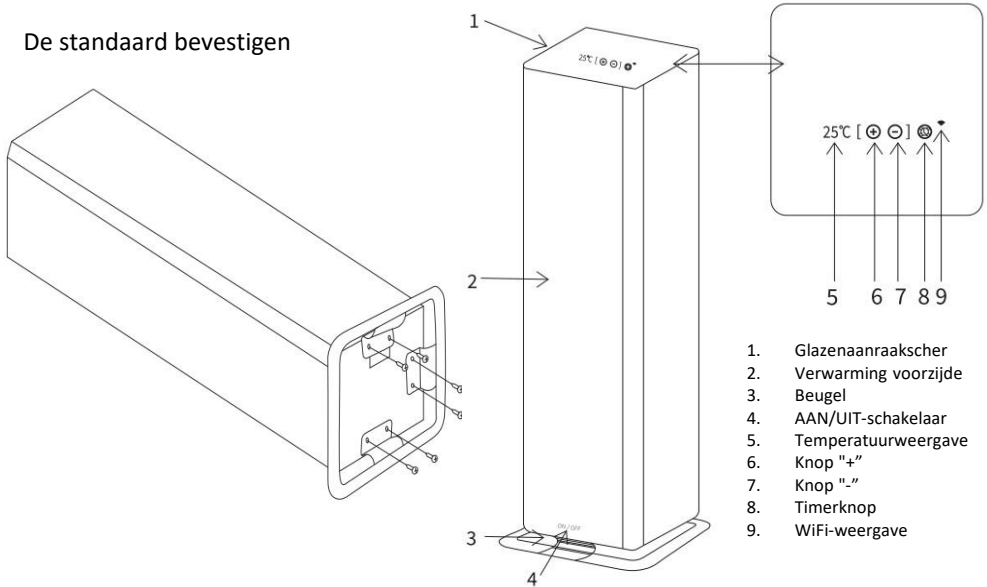
Herschel Infrared Ltd aanvaardt geen verantwoordelijkheid voor krassen op het oppervlak na het eerste gebruik.

Disclaimer

Herschel Infrared Ltd aanvaardt geen aansprakelijkheid voor schade, verlies of letsel veroorzaakt door binnendringend water of vocht, schade door ongelukken, verkeerd gebruik, externe impact, afstelling door onbevoegd personeel of het niet opvolgen van de juiste onderhouds- en veiligheidsvoorschriften zoals vermeld in de handleiding. Raadpleeg het garantiebeleid van Herschel Infrared Ltd voor alle details. Zie <https://www.herschel-infrarood.nl/>.

Setup

De standaard bevestigen



1. Glazenaanraakscher
2. Verwarming voorzijde
3. Beugel
4. AAN/UIT-schakelaar
5. Temperatuurweergave
6. Knop "+"
7. Knop "-"
8. Timerknop
9. WiFi-weergave

Schrauben Sie den Ständer mit den sechs mitgelieferten Schrauben auf den Sockel des Heizgeräts.

Stellen Sie das Heizgerät nach dem Anbringen des Ständers aufrecht hin.

Das Heizgerät verfügt über einen Schaltkasten mit Touchscreen-Glasoberfläche auf der Oberseite des Heizgeräts (1).

Das Heizgerät kann mit Hilfe der Touchscreen-Bedienelemente (2) auf einen festen Temperatursollwert eingestellt werden. Wenn das Heizgerät mit der Smart Life App gekoppelt ist, kann es vollständig programmiert werden, um nach einem festgelegten Heizplan zu laufen und mit Ihren anderen Herschel-Heizgeräten und Smart Home-Geräten zusammenzuarbeiten. Wenn das WLAN-Signal unterbrochen wird, arbeitet das Heizgerät mit der aktuellen Solltemperatur weiter, ändert sich jedoch nicht bei der nächsten Zeitplaneinstellung in der App, bis die WLAN-Verbindung wiederhergestellt ist.

Um das Heizgerät einzuschalten, klicken Sie auf den EIN/AUS-Schalter (4) an der Vorderseite des Heizgerätes. Berühren Sie die Mitte des Touchscreens, um die Bedienelemente zu aktivieren. Die aktuelle Temperatur (5) wird angezeigt. Stellen Sie die gewünschte Raumtemperatur mit den Tasten + und - (6 & 7) ein. Die aktuelle Temperatur wird durch die Solltemperatur ersetzt, während Sie diese Zahl einstellen. Die Solltemperatur blinkt nach der letzten Eingabe zwei Sekunden lang und zeigt dann wieder die aktuelle Temperatur an.

Es gibt eine Timerfunktion, mit der Sie eine feste Betriebszeit (1 - 24 Stunden) für das Heizgerät programmieren können. Wenn der Timer eingestellt ist, arbeitet das Heizgerät bis zur eingestellten Temperatur, schaltet sich aber aus, wenn der Timer Null erreicht hat. Um den Timer einzustellen, tippen Sie kurz auf die Timer-Taste (8). Auf dem Bildschirm wird "00H" angezeigt. Klicken Sie auf die Tasten + und -, um die Betriebsstunden zu erhöhen oder zu verringern (01 = 1 Stunde, 12 = 12 Stunden usw.).

NEDERLANDS**Extra functies**

Kinderslot. Om de touchscreenbediening te vergrendelen en te voorkomen dat instellingen per ongeluk worden gewijzigd, drukt u 3 seconden lang tegelijkertijd op + en -. "CL" verschijnt op het temperatuuronbeeld. Om de kindervergrendeling op te heffen, klik je nog eens 3 seconden op + en - en de verwarming keert terug naar de normale touchscreenbediening. De kindervergrendeling kan ook worden ingesteld in de App.

Detectie open raam (alleen beschikbaar in app). De verwarming heeft een "Open Venster detectie" functie wanneer deze gekoppeld is met de Smart Life app. De functie is standaard uitgeschakeld, maar kan worden ingeschakeld in de app-instellingen. Als deze functie is ingeschakeld, wordt er bij een dramatische temperatuurdaling in korte tijd "OPE" weergegeven op het scherm en wordt de verwarming gedurende 30 minuten uitgeschakeld om energieverstopping te voorkomen. Na 30 minuten start de verwarming weer op met de vorige instellingen.

Kalibratie. De verwarming kan gekalibreerd worden zodat hij hetzelfde aangeeft als andere thermostaten in een kamer. Om de kalibratie te starten, houd je de timerknop 3 seconden ingedrukt en "0°C" verschijnt op het temperatuuronbeeld. Gebruik de + of - knoppen om de kalibratie te verhogen (+5C) of te verlagen (-5C). Verlaag de kalibratie als de verwarming een te hoge temperatuur aangeeft in vergelijking met een andere thermostaat. Verhoog de kalibratie als de verwarming de temperatuur ten opzichte van een andere thermostaat te laag aangeeft. Kalibratie kan ook worden ingesteld in de App.

Fabrieksreset. Als je problemen ondervindt tijdens het gebruik, waaronder het koppelen van wifi, kun je de fabrieksinstellingen resetten. Om terug te gaan naar de fabrieksinstellingen, druk je 5 seconden op de -toets om het verwarmingselement te resetten. Na het resetten werkt het verwarmingselement in handmatige modus totdat het opnieuw is gekoppeld met de app.

Bediening - met de SmartLife app

De Select S3 Heater kan direct worden gekoppeld met de Smart Life App via wifi bij jou thuis en kan dan worden bediend via je telefoon, maar ook handmatig via het touchscreen. Met Smart Life kun je op afstand de temperatuur instellen, de verwarming in- en uitschakelen of de verwarming laten werken volgens een schema.

Zorg ervoor dat je de koppelinstructies nauwkeurig volgt. Online hulp is ook beschikbaar via het Help & Support gedeelte van je lokale Herschel website.

De S3 koppelen met Smart Life

Zorg er bij alle koppelstappen voor dat je mobiele telefoon en de S3 verbonden zijn met de draadloze 2,4GHz-verbinding. Koppelen lukt niet met een 5GHz-verbinding.

De Smart Life-app downloaden en installeren

Scan de QR-code hieronder om de Smartlife App te downloaden uit de App Store of Google Play. Of zoek op "Smart Life" in Google Play of de App Store en zoek naar dit pictogram.



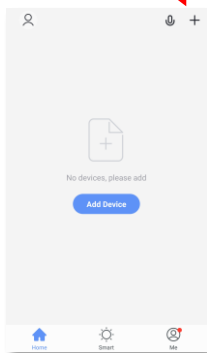
NEDERLANDS

Nadat je de Smart Life App hebt geïnstalleerd en geopend, moet je een account registreren met een e-mailadres en wachtwoord en de gebruiksvoorwaarden accepteren.

Om te koppelen, zet je je S3 AAN (of zet hem UIT en vervolgens weer AAN om de Wifi-ontdekking te starten). De wifi-indicator op het bedieningsscherm moet snel knippen.

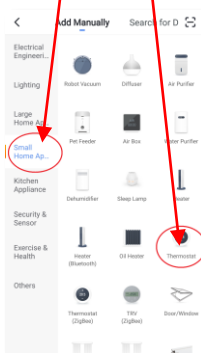
Ga naar het beginscherm van de Smart Life App.

Tik op '+' rechtsboven in de app



Als je een thermostaat toevoegt, wordt je gevraagd om je Wifi-wachtwoord in te voeren om de thermostaat aan dat netwerk te koppelen.

Selecteer "Kleine huishoudelijke apparaten" en dan "Wifi-thermostaten".



Bevestig in de Smart Life App dat het wifi-lampje snel knippert en het koppelproces zal beginnen. Laat het proces tot 100% doorlopen op de App.

Het koppelproces is zeer betrouwbaar op een 2,4GHz-verbinding. Als het koppelen mislukt, controleer dan of je een 2,4GHz-verbinding hebt en probeer het opnieuw.

Alternatieve koppelingsmodus

Als het koppelen herhaaldelijk mislukt en "Alternatieve koppelingsmodus" (AP-modus) wordt voorgesteld door de app, kun je de koppelingsmodus wijzigen (Wifi-symbool knippert langzaam). Terwijl de verwarming is ingeschakeld, klik je 3 seconden op de + knop totdat het touchscreen "OFF" weergeeft in de temperatuurweergave. Klik vervolgens 5 seconden op de knop Timer en het wifi-symbool knippert langzaam. Start de koppeling opnieuw in de App en bevestig dat het wifi-symbool langzaam knippert. Je kunt het bovenstaande proces ook herhalen om terug te schakelen naar de EZ koppelingsmodus (wifi-symbool knippert snel).

Wifi uitschakelen

Je kunt wifi volledig deactiveren door 3 seconden op de + knop te drukken tot het touchscreen "OFF" weergeeft in de temperatuurweergave. Klik vervolgens op de -knop en houd deze 10 seconden ingedrukt om wifi te deactiveren. Klik en houd de -knop 5 seconden ingedrukt om wifi weer te activeren.

Extra functies in de App

Instellingen beschikbaar in de App die niet beschikbaar zijn op de touchscreenbediening.

- Smart Mode - hiermee kun je de verwarming instellen en laten werken volgens een dagelijks schema.
- Bediening van de verwarming op afstand via internet, waar je ook bent.
- Controleer het energieverbruik van de verwarming (ga naar Instellingen => Energiebesparingsstatistieken).
- Geluidssignalen uitschakelen die af en toe door de regelenheid op de verwarming worden gegeven.

Reiniging en onderhoud**Algemeen**

Let op: het is mogelijk dat het verwarmingselement tijdens het gebruik verkleurt - dit wordt veroorzaakt door vervuiling in de lucht en is geen fout.

De verw warmer is ontworpen om vele jaren mee te gaan en is voorzien van diverse veiligheidsvoorzieningen, maar als de verw warmer niet is gebruikt of geïnstalleerd volgens deze instructies, geluid maakt, stinkt, of snelle verkleuring van het oppervlak of uitzonderlijk hoge temperaturen vertoont, staak dan het gebruik van de verw warmer en neem contact op met de Herschel Klantenservice of uw lokale Herschel dealer.

**Schoonmaken**

Haal de stekker uit het stopcontact, ontkoppel de unit van het elektriciteitsnet en laat de heater volledig afkoelen voordat u deze probeert schoon te maken.

Dompel het verwarmingselement NIET onder in water en spat er GEEN water op.

Reinig de verw warmer met een vochtige doek. Gebruik nooit een natte doek. Droog de oppervlakken na het schoonmaken met een droge doek.

Gebruik GEEN schuurmiddelen, oplosmiddelen of oplosmiddeldoekjes op het oppervlak, want dit kan onherstelbare schade veroorzaken. Wacht tot het apparaat volledig droog is voor gebruik.

**Reparatie**

Probeer NIET zelf elektrische of mechanische functies van dit apparaat te repareren of aan te passen, anders vervalt de garantie. Reparaties mogen alleen worden uitgevoerd door Herschel of een geautoriseerde Herschel servicepartner.

**Verwijdering**

Het verwarmingselement is een elektrisch product en mag niet bij het huishoudelijk afval. Een hoog percentage van het verwarmingselement kan worden gerecycled. Behandel het als elektrisch afval en recycle het volgens de plaatselijke voorschriften.



IMPORTANTI PRECAUZIONI DI SICUREZZA

La mancata osservanza di queste istruzioni invalida la garanzia.
Non smontare. All'interno non ci sono parti riparabili dall'utente.

AVVERTIMENTO

PER RIDURRE IL RISCHIO DI INCENDI, SCOSSE ELETTRICHE O INFORTUNI

L'apparecchio deve essere scollegato dalla fonte di alimentazione durante le attività di installazione o manutenzione e in caso di sostituzione.

L'S3 è dotato di un termostato e di una tastiera di controllo manuale della temperatura integrata e può essere azionato anche a distanza tramite Smart Phone. Prestare attenzione quando si aziona il riscaldatore a distanza se le stanze possono essere occupate da persone incapaci di lasciare la stanza da sole, a meno che non sia prevista una supervisione costante. Assicurarsi che le precauzioni di sicurezza riportate nel presente manuale siano rispettate anche quando il riscaldatore viene azionato a distanza.

L'S3 è dotato di sensori interni di sicurezza a taglio termico. Tuttavia, per evitare il surriscaldamento e il potenziale rischio di incendio, **NON coprire il riscaldatore in nessun caso. NON collocare il riscaldatore a meno di 0,4 m da materiali infiammabili** (ad es. mobili, tende).

NON toccare il riscaldatore quando è in uso. Il riscaldatore S3 ha una temperatura superficiale di circa 95°C (a seconda della tensione di ingresso) e il contatto prolungato con il riscaldatore può causare ustioni e lesioni.

NON mettere in funzione il riscaldatore se il cavo o la spina sono danneggiati, se il riscaldatore non funziona correttamente o se è caduto o è stato danneggiato in qualsiasi modo. Controllare che ogni riscaldatore non sia danneggiato prima dell'installazione. Assicurarsi che il riscaldatore stesso, la spina e il cavo non presentino segni visibili di danneggiamento. Se il cavo è danneggiato, l'apparecchio deve essere inviato per la riparazione a un rivenditore autorizzato Herschel.

Questo riscaldatore deve essere utilizzato esclusivamente per il riscaldamento di persone o edifici. Il riscaldatore non deve essere utilizzato da bambini o da persone con ridotte capacità fisiche, sensoriali o mentali, o con scarsa esperienza o conoscenza. I bambini devono essere tenuti lontani e non devono essere lasciati senza sorveglianza intorno all'unità. **NON utilizzare all'aperto.**

Tutti gli operatori devono accendere e spegnere l'apparecchio solo se è stato collocato o installato nella posizione di funzionamento prevista, in conformità alle presenti istruzioni. I bambini non devono inserire la spina, accendere o regolare l'apparecchio o eseguire la manutenzione da parte dell'utente, compresa la pulizia.

I riscaldatori Herschel S3 sono progettati per essere utilizzati con una tensione CA compresa tra 220 e 240 volt, 50 Hz CA. Se la tensione di alimentazione supera i 240 volt, non utilizzare il riscaldatore e rivolgersi al rivenditore locale. La mancata osservanza di questa prescrizione invalida la garanzia.

Il riscaldatore deve essere utilizzato solo in posizione verticale, in piedi sulla sua base. Non tentare mai di far funzionare il riscaldatore in orizzontale o appoggiato a oggetti di qualsiasi tipo.

Il riscaldatore è progettato per essere portatile e deve essere collocato su superfici non infiammabili.

PROTEZIONE DALL'ACQUA IP44

I riscaldatori Herschel S3 sono classificati secondo uno standard (minimo IP44) che ne consente l'installazione nella zona 2 del bagno. Ciò significa che possono essere collocati al di fuori delle zone di spruzzo. Non possono essere installati nelle zone 0 o 1. Non devono essere utilizzati per asciugare vestiti o asciugamani.

L'installazione in ambienti potenzialmente umidi o bagnati, come i bagni, deve essere effettuata da un installatore adeguatamente qualificato e deve essere conforme ai requisiti di sicurezza elettrica locali. L'installazione deve avvenire in modo che il riscaldatore non possa cadere in una vasca da bagno, in una doccia, in una piscina o in un altro contenitore d'acqua e che gli interruttori e gli altri comandi non possano essere toccati da una persona nella vasca o nella doccia.

In caso di dubbio, non installare. Herschel Infrared Ltd non è responsabile di eventuali perdite, danni o lesioni causati o derivanti da un montaggio inadeguato o da un posizionamento errato dei riscaldatori in prossimità di fonti d'acqua.



⚠ ATTENZIONE

Il cablaggio di questo apparecchio deve essere effettuato in conformità alle norme nazionali di sicurezza elettrica. Si tratta di un apparecchio di Classe 1 e deve essere collegato a terra.

Se collocato in aree pubbliche, l'installazione deve essere conforme alle norme elettriche locali pertinenti. Per alcuni edifici pubblici, come scuole e case di cura, i riscaldatori devono essere collocati secondo la legislazione specifica per questi tipi di edifici.

L'alimentazione elettrica di ciascun riscaldatore deve essere fornita collegandosi a un circuito protetto da un fusibile o da un dispositivo di corrente residua (RCD) o da un interruttore di circuito di guasto a terra (GFCI) adatto alla potenza elettrica dell'apparecchio.

Codifica dei colori del cavo di rete in dotazione: Il filo marrone deve essere collegato alla tensione ('L'), il filo blu al NEUTRO ('N') e il filo verde/giallo alla terra ('E').

⚠ ATTENZIONE

Il riscaldatore è progettato per essere spostato e viene fornito con una spina. Tutti i cavi di rete esterni al riscaldatore che entrano in contatto con il riscaldatore o nelle sue immediate vicinanze devono essere protetti da una guaina con una temperatura nominale di almeno 90°C.

Tutti i cavi dietro il riscaldatore devono essere tenuti lontani dal riscaldatore e non devono costituire un pericolo di inciampo.

NON avvolgere il cavo di alimentazione.

NON fissare o legare il cavo in eccesso alla maniglia sul retro del riscaldatore.

NON collocare il riscaldatore immediatamente sotto una presa di corrente.

NON forare il riscaldatore per evitare di danneggiarlo irreparabilmente e di renderlo pericoloso.

NON collegare alla rete elettrica un riscaldatore danneggiato in qualsiasi modo.

5 Anni di Garanzia

Registrate il vostro prodotto qui <https://www.herschel-infrarossi.it/assistenza-clienti/registrazione-della-garanzia/>.

Entro cinque anni dalla data di acquisto, Herschel riparerà o sostituirà il riscaldatore se il guasto è dovuto a difetti di materiali o di fabbricazione. Questa garanzia è valida solo per l'uso domestico standard ed esclude gli usi commerciali. In caso di richiesta di garanzia, visitare l'area Servizio clienti del sito Web Herschel e seguire la procedura di richiesta di garanzia. È necessaria una prova d'acquisto e fotografie del riscaldatore.

Un prerequisito per la validità della garanzia è l'uso con la tensione di alimentazione specificata del riscaldatore e l'uso in conformità con le condizioni specificate nel presente manuale. Qualsiasi altra garanzia o reclamo è esclusa.

La garanzia copre esclusivamente la riparazione o la sostituzione del prodotto difettoso e Herschel non è responsabile dei costi di installazione o dei danni conseguenti, comunque sostenuti. La decisione di riparare o sostituire il prodotto spetta esclusivamente a Herschel e qualsiasi sostituzione sarà il più simile possibile alle specifiche del riscaldatore difettoso.

La rimozione del numero di serie invalida la garanzia. La garanzia decade anche se il riscaldatore è stato manomesso o aperto in qualsiasi modo. L'etichetta di alimentazione del prodotto deve essere lasciata sul riscaldatore in modo che sia accessibile dopo l'installazione, se necessario.

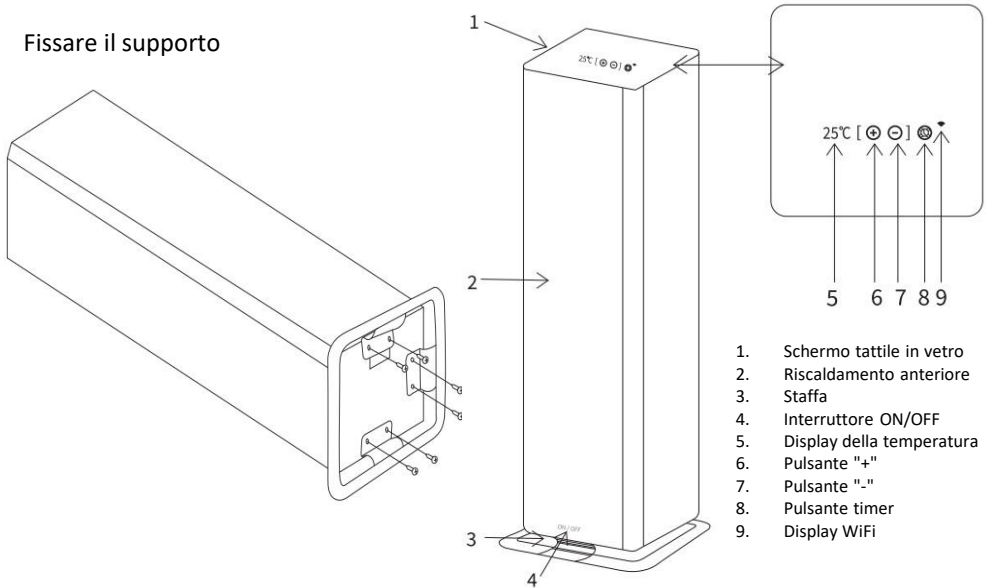
Herschel Infrared Ltd non si assume alcuna responsabilità per i graffi sulla superficie dopo il primo utilizzo.

Dichiarazione di non responsabilità

Herschel Infrared Ltd non si assume alcuna responsabilità per danni, perdite o lesioni causati dall'ingresso di acqua o umidità, da danni accidentali, da una manipolazione errata, da urti esterni, da regolazioni effettuate da personale non autorizzato o dalla mancata osservanza delle corrette precauzioni di manutenzione e sicurezza indicate nel manuale. Per tutti i dettagli, consultare la politica di garanzia di Herschel Infrared Ltd. Vedere <https://www.herschel-infrarossi.it/>.

Impostazione

Fissare il supporto



Avvitare il supporto alla base del riscaldatore con le sei viti in dotazione.

Una volta fissato il supporto, posizionare il riscaldatore in posizione verticale.

Il riscaldatore è dotato di una scatola di controllo con superficie in vetro touchscreen sulla parte superiore del riscaldatore (1).

Il riscaldatore può essere azionato a una temperatura nominale fissa utilizzando i comandi del touchscreen (2). In alternativa, se il riscaldatore è abbinato all'App Smart Life, può essere completamente programmato per funzionare secondo un programma di riscaldamento prestabilito e integrato con altri riscaldatori Herschel e dispositivi Smart Home. In caso di perdita del segnale wifi, il riscaldatore continuerà a funzionare alla sua temperatura nominale corrente, ma non cambierà alla successiva impostazione del programma sull'App, finché non verrà ripristinata la connessione wifi.

Per accendere il riscaldatore, fare clic sull'interruttore ON/OFF (4) nella parte anteriore della base del riscaldatore. Toccare il centro del touchscreen per attivare i comandi. Viene visualizzata la temperatura attuale (5). Regolare la temperatura ambiente desiderata utilizzando i pulsanti + e - (6 e 7). Durante la regolazione, la temperatura attuale viene sostituita dalla temperatura nominale. La temperatura nominale lampeggerà per due secondi dopo l'ultima regolazione, per poi tornare a visualizzare la temperatura effettiva.

È disponibile una funzione timer che consente di programmare un tempo di funzionamento fisso (da 1 a 24 ore) nel riscaldatore. Con il timer impostato, il riscaldatore funzionerà fino alla temperatura nominale, ma si spegnerà quando il timer avrà raggiunto lo zero. Per impostare il timer, toccare brevemente il pulsante del timer (8). Sullo schermo appare "00H". Fare clic sui pulsanti + e - per aumentare e diminuire le ore di funzionamento (01 = 1 ora, 12 = 12 ore ecc.).

Funzioni aggiuntive

Blocco bambini. Per bloccare il comando a schermo tattile ed evitare modifiche accidentali delle impostazioni, premere insieme + e - per 3 secondi. Sul display della temperatura viene visualizzato "CL". Per rimuovere il blocco bambini, fare clic su + e - per altri 3 secondi e il riscaldatore tornerà al normale controllo touchscreen. Il blocco bambini può essere impostato anche nell'App.

Rilevamento finestra aperta (disponibile solo nell'App). Il riscaldatore dispone della funzione "Rilevamento finestra aperta" quando è abbinato all'app Smart Life. Per impostazione predefinita la funzione è disattivata, ma può essere attivata nelle impostazioni dell'app. Quando è abilitata, se si verifica un calo drastico della temperatura in un breve lasso di tempo, sullo schermo viene visualizzato "OPE" e il riscaldatore si spegne per 30 minuti per evitare sprechi di energia. Dopo 30 minuti, il riscaldatore si riaccenderà con le impostazioni precedenti.

Calibrazione. Il riscaldatore può essere calibrato in modo da avere la stessa lettura degli altri termostati presenti nella stanza. Per accedere alla calibrazione, fare clic e tenere premuto il pulsante del timer per 3 secondi; sul display della temperatura apparirà "0°C". Utilizzare i pulsanti + o - per aumentare la calibrazione (+5C) o diminuirla (-5C). Diminuire la calibrazione se il riscaldatore rileva una temperatura eccessiva rispetto a un altro termostato. Aumentare la calibrazione se il riscaldatore rileva una temperatura inferiore a quella di un altro termostato. La calibrazione può essere impostata anche nell'App.

Ripristino delle impostazioni di fabbrica. Se si verificano problemi durante il funzionamento, compreso l'accoppiamento wifi, è possibile ripristinare le impostazioni di fabbrica. Per ripristinare le impostazioni di fabbrica, premere il tasto - per 5 secondi per resettare il riscaldatore. Dopo il reset, il riscaldatore funzionerà in modalità manuale fino a quando non verrà nuovamente accoppiato all'App.

Funzionamento - utilizzando l'app SmartLife

Il riscaldatore Select S3 può essere accoppiato direttamente con l'app Smart Life tramite la rete wifi di casa e può essere gestito tramite il telefono o manualmente tramite il touchscreen. Utilizzando Smart Life è possibile impostare a distanza la temperatura, accendere e spegnere il riscaldatore o farlo funzionare secondo un programma.

Assicurarsi di seguire attentamente le istruzioni per l'accoppiamento. L'assistenza online è disponibile anche nella sezione Aiuto e supporto del sito web Herschel locale.

Accoppiamento dell'S3 con Smart Life

In tutte le fasi di accoppiamento, assicurarsi che il telefono cellulare e l'S3 siano collegati alla connessione wireless a 2,4 GHz. L'accoppiamento non sarà possibile con una connessione a 5GHz.

Scaricare e installare l'applicazione Smart Life

Scansionate il codice QR qui sotto per scaricare l'applicazione Smartlife dall'App Store o da Google Play. In alternativa, cercate "Smart Life" su Google Play o App Store e cercate questa icona.



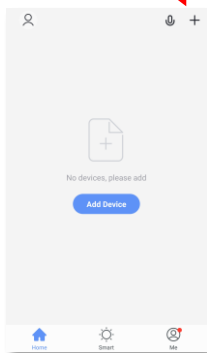
ITALIANO

Dopo aver installato e aperto l'App Smart Life, è necessario registrare un account utilizzando un indirizzo e-mail e una password e accettare le condizioni di utilizzo.

Per effettuare l'accoppiamento, accendere l'S3 (o spegnerlo e poi riaccenderlo per avviare la funzione Wifi Discovery). L'indicatore wifi sullo schermo di controllo dovrebbe lampeggiare rapidamente.

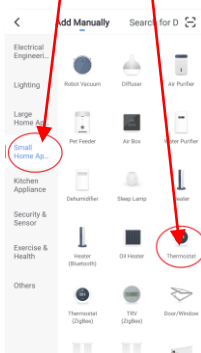
Andare alla schermata iniziale dell'app Smart Life.

Toccare "+" in alto a destra dell'applicazione



Quando si aggiunge un termostato, viene richiesto di inserire la password Wifi per associare il termostato alla rete.

Selezionare "Piccoli elettrodomestici" e poi "Termostati Wifi".



Confermare nell'App Smart Life che l'indicatore wifi lampeggia rapidamente e il processo di accoppiamento si avvia. Lasciare che il processo venga completato al 100% sull'app.

Il processo di accoppiamento è molto affidabile su una connessione a 2,4GHz. Se il processo non dovesse andare a buon fine, accertarsi di essere su una connessione a 2,4GHz e riprovare il processo di accoppiamento.

Modalità di accoppiamento alternativa

Se l'accoppiamento fallisce ripetutamente e l'app suggerisce una "modalità di accoppiamento alternativa" (modalità AP), è possibile cambiare la modalità di accoppiamento (il simbolo Wifi lampeggia lentamente). Con il riscaldatore acceso, fare clic sul pulsante + per 3 secondi finché il touchscreen non visualizza "OFF" sul display della temperatura. Quindi fare clic sul pulsante Timer per 5 secondi e il simbolo wifi lampeggerà lentamente. Riavviare l'accoppiamento nell'App e confermare che il simbolo del wifi lampeggia lentamente. È possibile ripetere la procedura sopra descritta anche per tornare alla modalità di accoppiamento EZ (simbolo wifi che lampeggia rapidamente).

Disattivare il wifi

È possibile disattivare completamente il Wifi facendo clic sul pulsante + per 3 secondi finché il touchscreen non visualizza "OFF" sul display della temperatura. Quindi fare clic e tenere premuto il pulsante - per 10 secondi per disattivare il wifi. Fare clic e tenere premuto il pulsante - per 5 secondi per riattivare il wifi.

Funzioni aggiuntive nell'App

Impostazioni disponibili nell'App non disponibili sul comando touchscreen.

- Modalità Smart - consente di impostare e far funzionare il riscaldatore secondo un programma giornaliero.
- Funzionamento remoto del riscaldatore ovunque ci si trovi tramite Internet.
- Controllare il consumo energetico del riscaldatore (andare su Impostazioni => Statistiche risparmio energetico).
- Disattivare i "bip" acustici che possono essere emessi occasionalmente dall'unità di controllo del riscaldatore.

Pulizia e manutenzione**Generale**

È possibile che il riscaldatore si scolorisca con l'uso: ciò è causato dall'inquinamento atmosferico e non è un difetto.

Il riscaldatore è progettato per durare molti anni e incorpora diverse caratteristiche di sicurezza, ma se il riscaldatore non è stato utilizzato o installato in conformità alle presenti istruzioni, emette rumori, odori o mostra un rapido scolorimento della superficie o temperature eccezionalmente elevate, interrompere l'uso del riscaldatore e rivolgersi al servizio clienti Herschel o al rivenditore Herschel locale.

**Pulizia**

Prima di procedere alla pulizia del riscaldatore, staccare la spina, isolare l'unità dall'alimentazione elettrica e lasciarla raffreddare completamente.

NON immergere il riscaldatore in acqua e non spruzzare acqua su di esso.

Pulire il riscaldatore con un panno umido. Non utilizzare mai un panno bagnato. Una volta pulito, asciugare le superfici con un panno asciutto.

NON applicare materiali abrasivi, solventi o panni solventi sulla superficie, perché potrebbero causare danni irreparabili. Attendere che l'unità sia completamente asciutta prima di utilizzarla.

**Riparazioni**

NON tentare di riparare o regolare le funzioni elettriche o meccaniche di questa unità, in quanto ciò comporta l'annullamento della garanzia. Le riparazioni devono essere effettuate esclusivamente da Herschel o da un centro di assistenza autorizzato Herschel.

**Smaltimento**

Il riscaldatore è un prodotto elettrico e non deve essere smaltito nei rifiuti domestici. Un'alta percentuale del riscaldatore può essere riciclata. Tratarlo come rifiuto elettrico e riciclarlo secondo le norme locali.



PRECAUCIONES DE SEGURIDAD IMPORTANTES

El incumplimiento de estas instrucciones invalidará la garantía.
No desmontar. No hay piezas reparables por el usuario en el interior.



ADVERTENCIA

PARA REDUCIR EL RIESGO DE INCENDIO, DESCARGA ELÉCTRICA O LESIONES

Este aparato debe desconectarse de su fuente de alimentación durante las actividades de instalación o mantenimiento y cuando se sustituya.

El S3 está equipado con un termostato y un teclado integrado de control manual de la temperatura, y también puede manejarse a distancia a través de un teléfono inteligente. Tenga cuidado al operar el calefactor a distancia si las habitaciones pueden estar ocupadas por personas incapaces de salir de la habitación por su cuenta, a menos que se proporcione supervisión constante. Asegúrese de observar las precauciones de seguridad de este manual incluso cuando el calefactor se utilice a distancia.

El S3 dispone de sensores internos de desconexión térmica de seguridad. Sin embargo, para evitar el sobrecalentamiento y el riesgo potencial de incendio, NO cubra la estufa bajo ninguna circunstancia. NO coloque el calefactor a menos de 0,4 m de cualquier material inflamable (por ejemplo, muebles, cortinas).

NO toque la estufa cuando esté en uso. El S3 tiene una temperatura superficial de unos 95°C / 248°F (dependiendo del voltaje de entrada) y el contacto prolongado con el calefactor puede causar quemaduras y lesiones.

NO utilice el calefactor si el cable o el enchufe están dañados o si el calefactor no funciona correctamente, o si se ha caído o dañado de alguna manera. Compruebe que el calefactor no esté dañado antes de instalarlo. Asegúrese de que el propio calefactor, el enchufe y el cable no presentan signos visibles de daños. Si el cable está dañado, el aparato debe enviarse para su reparación a un distribuidor autorizado de Herschel.

Este calefactor sólo debe utilizarse para la calefacción de personas o edificios. El calefactor no debe ser utilizado por niños o personas con capacidades físicas, sensoriales o mentales reducidas, o con falta de experiencia o conocimientos. Los niños deben mantenerse alejados y no deben dejarse sin supervisión cerca de la unidad. NO utilizar al aire libre.

Todos los operarios deben encender y apagar el aparato únicamente si se ha colocado o instalado en la posición de funcionamiento prevista de acuerdo con estas instrucciones. Los niños no deben enchufar, encender o regular el aparato ni realizar tareas de mantenimiento del usuario, incluida la limpieza.

Los calefactores S3 de Herschel están diseñados para utilizarse con una tensión alterna de entre 220 y 240 voltios, 50 Hz CA. Si su tensión de alimentación supera los 240 voltios, no utilice el calefactor y consulte a su distribuidor local. En caso contrario, la garantía quedará anulada.

La estufa sólo debe utilizarse en posición vertical, de pie sobre su base. Nunca intente hacer funcionar la estufa en posición horizontal o apoyada contra objetos de ningún tipo.

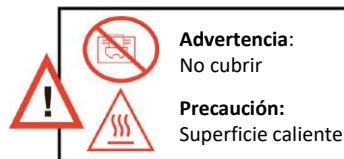
La estufa está diseñada para ser portátil y debe colocarse sobre superficies no inflamables.

PROTECCIÓN CONTRA LA PENETRACIÓN DE AGUA IP44

Los calefactores Herschel S3 cumplen una norma (IP44 como mínimo) que les permite situarse en la zona 2 de un cuarto de baño. Esto significa que pueden colocarse fuera de las zonas de salpicaduras. No pueden instalarse en las zonas 0 ó 1. No deben utilizarse para secar ropa o toallas.

La instalación en espacios potencialmente húmedos o mojados, como cuartos de baño, debe ser realizada por un instalador debidamente cualificado y cumplir los requisitos locales de seguridad eléctrica. La instalación debe ser tal que el calefactor no pueda caer en una bañera, ducha, piscina u otro recipiente de agua y que los interruptores y otros controles no puedan ser tocados por una persona en la bañera o ducha.

En caso de duda, no lo instale. Herschel Infrared Ltd no será responsable de ninguna pérdida, daño o lesión causados o resultantes de una instalación inadecuada o una colocación incorrecta de los calefactores cerca de fuentes de agua.



ADVERTENCIA

El cableado de este aparato debe conectarse de acuerdo con las normas nacionales de seguridad eléctrica pertinentes. Es un aparato de Clase 1 y debe conectarse a tierra.

Cuando se coloque en zonas públicas, la instalación debe cumplir las normas eléctricas locales pertinentes. En determinados edificios públicos, como escuelas y residencias de ancianos, los calefactores deben colocarse de acuerdo con la legislación específica para este tipo de edificios.

El suministro eléctrico de cada calefactor debe realizarse mediante la conexión a un circuito protegido por un fusible o un dispositivo de corriente residual (RCD) o un interruptor de circuito por fallo a tierra (GFCI) adecuado para la potencia eléctrica del aparato.

Código de colores utilizado en el cable de alimentación suministrado: El cable MARRÓN debe conectarse a VIVO ('L'), el cable AZUL a NEUTRO ('N') y el cable VERDE/AMARILLO a TIERRA ('E').

PRECAUCIÓN

El calefactor está diseñado para ser móvil y se suministra con un enchufe. Todo el cableado de red fuera de la estufa que esté en contacto o muy cerca de la estufa debe estar protegido por una funda con una temperatura nominal de al menos 90°C.

Todo el cableado situado detrás de la estufa debe mantenerse alejado de la estufa y no debe suponer un peligro de tropiezo.

NO enrolle el cable de alimentación.

NO ate el cable sobrante al asa de la parte trasera del calefactor.

NO coloque el calefactor justo debajo de una toma de corriente.

NO taladre a través del calefactor, ya que causará daños irreparables y además es peligroso.

NO conecte a la red eléctrica un calefactor que esté dañado de algún modo.

5 Años de Garantía

Registre su producto aquí <https://www.herschel-infrarrojo.es/atencion-al-cliente/registro-de-garantia/>.

En un plazo de cinco años a partir de la fecha de compra, Herschel reparará o sustituirá el calefactor cuando el fallo se deba a defectos en los materiales o en la fabricación. Esta garantía es sólo para uso doméstico estándar y excluye los usos comerciales. En caso de reclamación de garantía, visite el área de Atención al Cliente del sitio web de Herschel y siga el proceso de Reclamación de Garantía. Necesitará una prueba de compra y fotografías del calentador.

Un requisito previo para la validez de la garantía es el uso con la tensión de alimentación especificada del calentador y el uso de acuerdo con las condiciones especificadas en este manual. Queda excluida cualquier otra garantía o reclamación.

La garantía cubre únicamente la reparación o sustitución del producto defectuoso y Herschel no se hace responsable de los costes de instalación ni de las pérdidas consecuentes en que se incurra. La decisión de reparar o sustituir recaerá exclusivamente en Herschel y cualquier sustitución será lo más parecida posible en especificaciones al calefactor averiado.

La eliminación del número de serie anulará la garantía. La garantía también quedará anulada si el calefactor ha sido manipulado o abierto de cualquier forma.

La etiqueta de alimentación del producto debe dejarse en el calefactor donde pueda accederse a ella después de la instalación si es necesario.

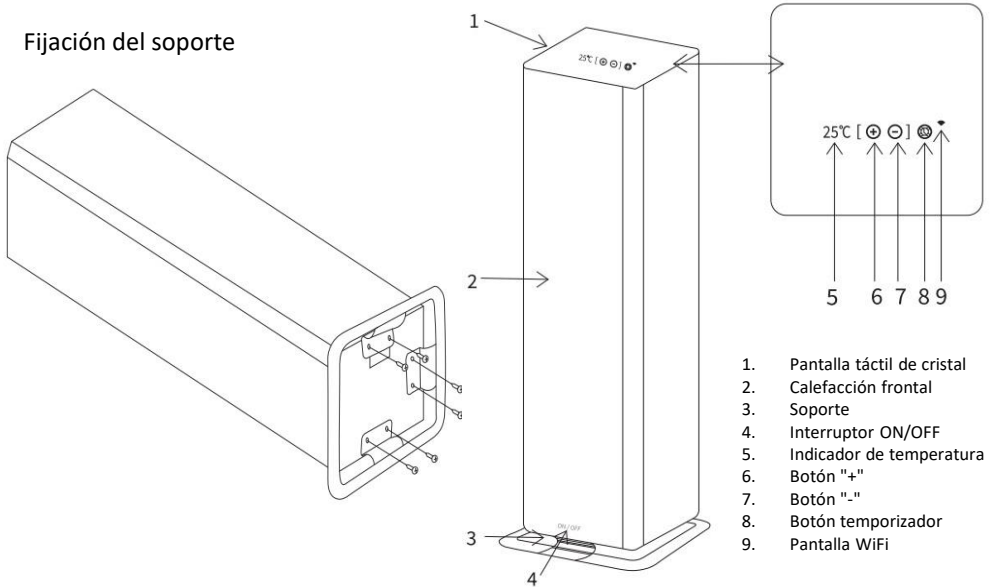
Herschel Infrared Ltd no asumirá ninguna responsabilidad por arañazos en la superficie después del primer uso.

Descargo de responsabilidad

Herschel Infrared Ltd no se hace responsable de los daños, pérdidas o lesiones causados por la entrada de agua o humedad, daños accidentales, manipulación incorrecta, impactos externos, ajustes realizados por personal no autorizado o incumplimiento de las precauciones de mantenimiento y seguridad indicadas en el manual. Consulte la política de garantía de Herschel Infrared Ltd para obtener todos los detalles. Consulte <https://www.herschel-infrarrojo.es/>.

Configurar

Fijación del soporte



Atornille el soporte a la base de la estufa con los seis tornillos suministrados. Una vez fijado el soporte, coloque la estufa en posición vertical.

La estufa dispone de una caja de mandos con superficie de cristal táctil en la parte superior de la estufa (1).

La estufa puede funcionar a una temperatura de consigna fija utilizando los controles de la pantalla táctil (2). Alternativamente, si el calefactor está emparejado con la aplicación Smart Life, puede programarse completamente para funcionar con un horario de calefacción establecido e integrarse para funcionar con sus otros calefactores Herschel y dispositivos Smart Home. Si se pierde la señal wifi, el calefactor seguirá funcionando a su temperatura de consigna actual, pero no cambiará a la siguiente programación en la aplicación hasta que se restablezca la conexión wifi.

Para encender la estufa, pulse el interruptor ON/OFF (4) situado en la parte delantera de la base de la estufa. Toque el centro de la pantalla táctil para activar los controles. Aparecerá la temperatura actual (5). Ajuste la temperatura ambiente deseada con los botones + y - (6 y 7). La temperatura actual será sustituida por la temperatura de consigna mientras esté ajustando esta cifra. La temperatura de consigna parpadeará durante dos segundos después de su última entrada y, a continuación, volverá a mostrar la temperatura real.

Dispone de una función de temporizador que le permite programar un tiempo de funcionamiento fijo (de 1 a 24 horas) en el calefactor. Con el temporizador programado, la estufa funcionará hasta la temperatura de consigna, pero se apagará cuando el temporizador llegue a cero. Para ajustar el temporizador, pulse brevemente el botón del temporizador (8). En la pantalla aparecerá "00H". Pulse los botones + y - para aumentar y disminuir las horas de funcionamiento (01 = 1 hora, 12 = 12 horas, etc.).

Funciones adicionales

Bloqueo infantil. Para bloquear el control de la pantalla táctil y evitar cambios accidentales en los ajustes, pulse + y - a la vez durante 3 segundos. "CL" se mostrará en la pantalla de temperatura. Para quitar el bloqueo infantil, pulse + y - durante otros 3 segundos y la estufa volverá al control normal de la pantalla táctil. El bloqueo infantil también se puede configurar en la App.

Detección de ventana abierta (solo disponible en la aplicación). El calefactor cuenta con una función de "Detección de ventana abierta" cuando se empareja con la aplicación Smart Life. Por defecto, la función está desactivada, pero se puede activar en la configuración de la aplicación. Cuando está activada, si se produce un descenso drástico de la temperatura en poco tiempo, se mostrará "OPE" en la pantalla y el calefactor se apagará durante 30 minutos para evitar el derroche de energía. Transcurridos 30 minutos, el calefactor volverá a ponerse en marcha con la configuración anterior.

Calibración. La estufa puede calibrarse para que lea lo mismo que los demás termostatos de una habitación. Para entrar en la calibración, mantenga pulsado el botón del temporizador durante 3 segundos y aparecerá "0°C" en la pantalla de temperatura. Utilice los botones + o - para aumentar la calibración (+5C) o disminuirla (-5C). Disminuya la calibración si la estufa está sobrevalorando la temperatura con respecto a otro termostato. Aumente la calibración si la temperatura de la estufa es inferior a la de otro termostato. La calibración también se puede ajustar en la aplicación.

Restablecimiento de fábrica. Si experimenta algún problema durante el funcionamiento, incluido el emparejamiento wifi, puede restablecer los ajustes de fábrica. Para restablecer los ajustes de fábrica, pulse la tecla - durante 5 segundos para restablecer la estufa. Una vez restablecida, la estufa funcionará en modo manual hasta que se vuelva a emparejar con la aplicación.

Funcionamiento: con la aplicación SmartLife

El calefactor Select S3 puede emparejarse directamente con la aplicación Smart Life a través de la red wifi doméstica y manejarse desde el teléfono o manualmente desde la pantalla táctil. Con Smart Life puedes ajustar la temperatura a distancia, encender y apagar el calefactor o hacerlo funcionar según un programa.

Asegúrate de seguir al pie de la letra las instrucciones de emparejamiento. También dispone de ayuda en línea a través de la sección Ayuda y soporte de su sitio web local de Herschel.

Emparejar el S3 con Smart Life

En todos los pasos de emparejamiento, asegúrese de que su teléfono móvil y el S3 están conectados a la conexión inalámbrica de 2,4 GHz. El emparejamiento no tendrá éxito utilizando una conexión de 5GHz.

Descargar e instalar la aplicación Smart Life

Escanea el siguiente código QR para descargar la aplicación Smartlife desde App Store o Google Play. También puedes buscar "Smart Life" en Google Play o App Store y buscar este icono.

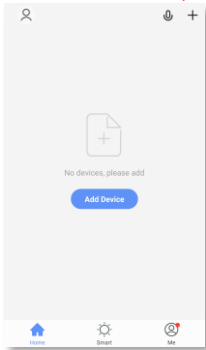


Tras instalar y abrir la aplicación Smart Life, debe registrar una cuenta con una dirección de correo electrónico y una contraseña, y aceptar las condiciones de uso.

Para emparejar, encienda su S3 (o apáguelo y vuelva a encenderlo para iniciar Wifi Discovery). El indicador wifi de la pantalla de control debería parpadear rápidamente.

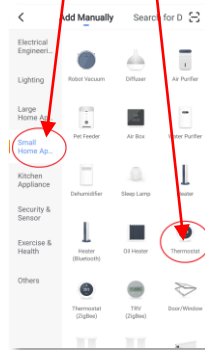
Vaya a la pantalla de inicio de la aplicación Smart Life.

Pulse "+" en la parte superior derecha de la aplicación



Al añadir un termostato, se te pedirá que introduzcas tu contraseña Wifi para emparejar el termostato a esa red.

Seleccione "Pequeños electrodomésticos" y luego "Termostatos Wifi".



Confirme en la aplicación Smart Life que el indicador wifi parpadea rápidamente y se iniciará el proceso de emparejamiento. Deje que el proceso se complete al 100% en la aplicación.

El proceso de emparejamiento es muy fiable con una conexión de 2,4 GHz. Si el proceso falla, asegúrese de que dispone de una conexión de 2,4 GHz y vuelva a intentar el proceso de emparejamiento.

Modo de emparejamiento alternativo

Si el emparejamiento falla repetidamente y la App le sugiere un "Modo de emparejamiento alternativo" (Modo AP), puede cambiar el modo de emparejamiento (Símbolo Wifi parpadeando lentamente). Con la estufa encendida, haga clic en el botón + durante 3 segundos hasta que la pantalla táctil muestre "OFF" en la pantalla de temperatura. A continuación, haz clic en el botón Temporizador durante 5 segundos y el símbolo wifi parpadeará lentamente. Reinicia el emparejamiento en la App y confirma que el símbolo wifi parpadea lentamente. También puedes repetir el proceso anterior para volver al modo de emparejamiento EZ (símbolo wifi parpadeando rápidamente).

Desactivar wifi

El wifi se puede desactivar por completo pulsando el botón + durante 3 segundos hasta que la pantalla táctil muestre "OFF" en la indicación de temperatura. A continuación, mantén pulsado el botón - durante 10 segundos para desactivar el wifi. Mantenga pulsado el botón - durante 5 segundos para volver a activar el wifi.

Funciones adicionales en la App

Ajustes disponibles en la App no disponibles en el control de pantalla táctil.

- Modo inteligente: le permite configurar y hacer funcionar su calefactor según un programa diario.
- Manejo remoto de la estufa desde cualquier lugar a través de Internet.
- Comprobar el consumo de energía de la estufa (Ir a Ajustes => Estadísticas de Ahorro de Energía).
- Desactivar los "pitidos" audibles que puede emitir ocasionalmente la unidad controladora de la estufa.

Limpieza y mantenimiento**General**

Tenga en cuenta que es posible que la estufa se decolore con el uso; esto se debe a la contaminación del aire y no es un fallo.

El calefactor está diseñado para durar muchos años e incorpora varias características de seguridad, pero si el calefactor no se ha utilizado o instalado de acuerdo con estas instrucciones, emite algún ruido, olor o muestra una rápida decoloración de la superficie o temperaturas excepcionalmente altas, deje de utilizar el calefactor y diríjase al Servicio de Atención al Cliente de Herschel o a su distribuidor local de Herschel.

**Limpieza**

Antes de limpiar la estufa, desenchúfela, desconéctela de la red eléctrica y deje que se enfríe completamente.

NO sumerja el calentador en agua ni le salpique agua.

Limpie la estufa con un paño húmedo. No utilice nunca un paño húmedo. Una vez limpio, seque las superficies con un paño seco.

NO aplique materiales abrasivos, disolventes o paños disolventes a la superficie, ya que puede causar daños irreparables. Espere a que la unidad esté completamente seca antes de utilizarla.

**Repare**

NO intente reparar o ajustar ninguna de las funciones eléctricas o mecánicas de esta unidad. Las reparaciones sólo deben ser realizadas por Herschel o un servicio técnico autorizado por Herschel.

**Eliminación**

La estufa es un producto eléctrico y no debe tirarse a la basura doméstica. Un alto porcentaje de la estufa puede reciclarse. Trátele como residuo eléctrico y recíclalo de acuerdo con la normativa local.

