

Select XLS Mirror with Lights

Infrared Mirror Heater with integrated controls & light



- EN **INSTALLATION & OPERATING INSTRUCTIONS**
- FR **INSTRUCTIONS D'INSTALLATION ET D'UTILISATION**
- DE **INSTALLATIONS- & BEDIENUNGSANLEITUNG**
- NL **INSTALLATIE- EN BEDIENINGSINSTRUCTIES**
- IT **ISTRUZIONI PER L'INSTALLAZIONE E L'USO**
- ES **INSTRUCCIONES DE INSTALACIÓN Y FUNCIONAMIENTO**

MODELS COVERED BY THIS MANUAL:

Select XLS Mirror with Lights

XLS400ML-INT
XLS600ML-INT

The product complies with European Safety Standards Low Voltage Directive 2014/35/EC, EMC Directive 2014/30/EC, RoHS 2011/65/EC & Ecodesign requirements for local space heaters 2009/125/EC. The radio equipment used in the wireless receiver complies with Directive 2014/53/EU. The full text of the EU declaration of conformity for radio emissions is available at the following QR address.



Serial Number:

IMPORTANT SAFETY PRECAUTIONS

Failure to observe these instructions will invalidate the warranty.
Do not disassemble. No user-serviceable parts inside.



WARNING

TO REDUCE THE RISK OF FIRE, ELECTRIC SHOCK OR INJURY

This appliance must be disconnected from its power source during installation or service activities and when replacing.

The heater is equipped with a thermostat and built-in manual temperature-control keypad and can also be operated remotely via Smart Phone. Exercise caution when operating the heater remotely if rooms can be occupied by people incapable of leaving the room on their own, unless constant supervision is provided. Please ensure safety precautions in this manual are observed even when the heater is operated remotely.

The heater has internal safety thermal cut out sensors. However, in order to avoid overheating and potential fire hazard, **DO NOT** cover the heater under any circumstances. **DO NOT** locate the heater within 0.4m of any flammable materials (e.g. Furniture, curtains).

DO NOT touch the heater when in use. The heater has a surface temperature of around 95°C / 248°F (depending upon input voltage) and prolonged contact with the heater will cause burns and injury.

DO NOT operate the heater if the cord or plug is damaged or after the heater malfunctions, or if it has been dropped or damaged in any manner. Check each heater for damage before installation. Make sure that the heater itself, the plug and the cable are free of any visible signs of damage. If the cord is damaged the appliance must be sent for repair to an authorised Herschel Dealer.

This heater must only be used for the heating of people or buildings. The heater is not to be used by children or persons with reduced physical, sensory or mental capabilities, or lack of experience or knowledge. Children should be kept away and should not be left unsupervised around the unit. **DO NOT** use outdoors.

All operators should only switch on/off the appliance provided that it has been placed or installed in its intended operating position in accordance with these instructions. Children must not plug in, switch on or regulate the appliance or perform user maintenance including cleaning.

Herschel heaters are designed for use with an AC voltage between 220-240 volts, 50 Hz AC. If your supply voltage exceeds 240 Volts do not use the heater and refer to your local dealer. Failure to adhere to this will void the warranty.

The heater is designed to be wall-mounted only and must be installed on a non-flammable surface.

WATER INGRESS PROTECTION IP44

The Herschel Mirror with Lights is rated to a standard (minimum IP44) enabling them to be located within zone 2 in a bathroom. They cannot be installed in zones 0 or 1. They must not be used for drying clothes or towels.

Installation in potentially wet or humid rooms such as bathrooms must be carried out by a suitably qualified installer and comply with local electrical safety requirements. Installation must be such that the heater must not be able to fall into a bathtub, shower, swimming pool or other water container and that switches and other controls cannot be touched by a person in the bath or shower.

If in doubt, do not install. Herschel Infrared Ltd shall not be liable for any loss, damage or injury caused or resulting from inadequate fitting or incorrect placement of heaters close to water sources.

WARNING

Wiring to this appliance must be connected in accordance with the relevant national electrical safety standards. It is a Class 1 appliance and must be earthed.

When placed in public areas, installation must comply with relevant local electrical standards. For certain public buildings like schools and care homes the heaters must be placed according to the specific legislation for these types of buildings.

The electrical supply to each heater should be provided by connecting to a circuit protected by a fuse or residual current device (RCD) or Ground Fault circuit interrupter (GFCI) suitable for the electrical rating of the appliance.

Colour coding used in the supplied mains cable: BROWN wire is to be connected to LIVE ('L'), the BLUE wire to NEUTRAL ('N') and the GREEN/YELLOW wire to EARTH ('E').

CAUTION

The heater is designed for connection to mains fixed wiring and is not supplied with a plug. Any mains wiring outside the heater coming into contact or close proximity to the heater must be protected by sleeving with a temperature rating of at least 90°C.

All cabling behind the heater must be kept clear of the heater and must not become a trip hazard.

DO NOT coil the power cable.

DO NOT attach or tie excess cable to the handle on the rear of the heater.

DO NOT locate the heater immediately below a socket outlet.

DO NOT drill through the heater as this will cause irreparable damage and is also dangerous.

DO NOT connect a heater that is damaged in any manner to the power network.

5 Year Warranty

Register your product here <https://www.herschel-infrared.co.uk/customer-service/warranty-registration/> .

Within five years from date of purchase Herschel will repair or replace the heater where the fault is due to defects in materials or workmanship. This warranty is for standard domestic use only and excludes commercial uses. In the event of a warranty claim please visit the Customer Service area of the Herschel Website and follow the Warranty Claim process. You will need proof of purchase and photographs of the heater.

A prerequisite for validity of the warranty is use at the specified supply voltage of the heater and use in accordance with the conditions specified in this manual. Any further warranty or claims are excluded.

The warranty covers the repair or replacement of the defective product only and Herschel shall have no liability for installation costs or consequential losses however incurred. The decision to repair or replace will rest solely with Herschel and any replacement will be as close as possible in specification to the failed heater.

Removing the serial number will void the warranty. The warranty will also be void if the heater has been tampered with or opened in any way.

The product power label must be left on the heater where it can be accessed after installation if necessary.

Herschel Infrared Ltd will assume no responsibility for scratches on surface after first use.

Disclaimer

Herschel Infrared Ltd cannot accept responsibility for damage, loss or injury caused by ingress of water or moisture, accidental damage, mishandling, external impact, adjustment by unauthorised personnel or failure to follow the correct maintenance and safety precautions as stated in the manual. Refer to Herschel Infrared Ltd's warranty policy for full details. See <https://www.herschel-infrared.co.uk>.

Ecodesign compliance

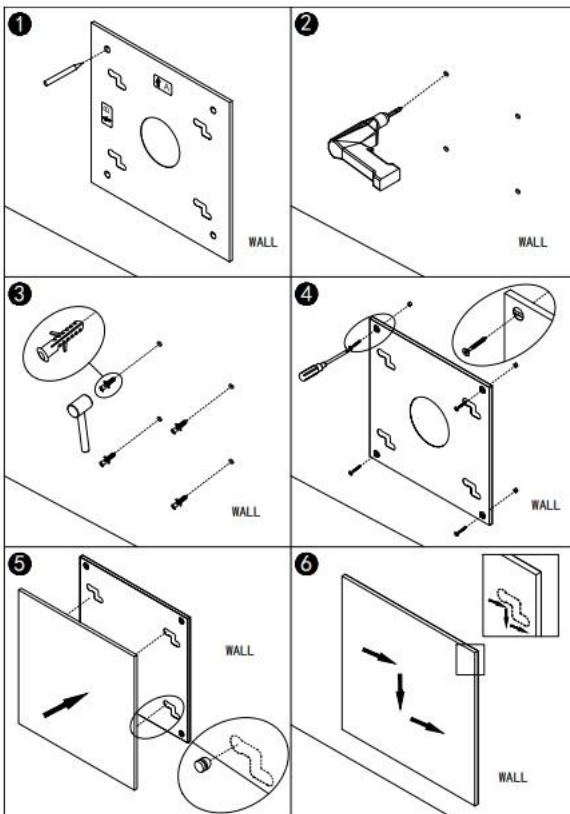
The Mirror with Lights complies with the EcoDesign Directive 2009/125/EC (Lot 20).

Setup

The heater is designed to be permanently fixed to a solid wall. If mounted on other types of wall (e.g. plasterboard), you will require appropriate fixings (not supplied). The heater must be clear of other objects 200mm above, below and to the sides.

Preparation – Important Notice

When the EasyFix bracket is fitted to the panel, it will be offset from centre due to the locking movement. To ensure your panel fits exactly where you want it on the wall, it is important before installing that you place the bracket on the panel in its locked position and measure the distance of the mounting holes on the bracket to the edges of the panel before then marking, checking and drilling them on the wall to cater for this offset.



Step 1

Use a spirit level to ensure the bracket is level and mark the position for drilling in each of the small holes in the four corners of the mounting bracket (figure 1).

Step 2

Drill holes using a 8mm drill (figure 2). Insert the supplied rawlplugs (figure 3). If mounting on to a cavity wall you will need appropriate fixings (not supplied).

Step 3

Screw the mounting bracket to the wall using the supplied screws (figure 4).

Step 4

Fit the panel to the wall by locating all four mounting fixings on the rear of the panel into the wide openings on the mounting bracket. Once in position the panel should be moved to the right and then down and to the right again to its secure position (portrait mounting) or down, then left and then down again (landscape mounting) (fig 5 & 6).

Step 5

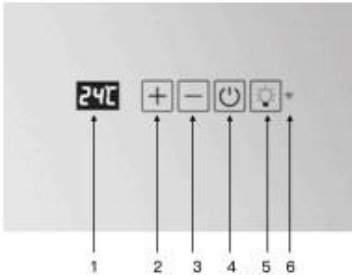
Unscrew the four distance pieces (in each corner) on the rear of the heater panel so that the panel is held tightly in its mounting on the wall and cannot be moved. Ensure the power lead is free from any obstruction behind the panel.

Removal

Herschel Easy-fix is designed to be secure to avoid accidental dismantling or tampering with the panel. To dismount the panel, screw the four distance pieces back in and move the panel to the left, then up and over to the left again.

Operation

The heater has an integrated touch screen control which means no additional thermostat is required to control the heater. Your heating can be controlled using the touch screen or using the Smart Life app on your smart phone. Both the heating and the lights can be controlled by the touch screen and the app.



touch screen Functions

1. Screen
2. + (Increase) button
3. - (Decrease) button
4. Power button
5. Light button
6. Wifi indicator

The heater may be operated to a fixed setpoint temperature using the touch screen control. Alternatively, if the heater is paired with the Smart Life App, then it can be fully programmed to run to a set heating schedule and integrated to work with your other Herschel heaters and Smart Home devices. If wifi signal is lost, the heater will continue to work at its current setpoint temperature, however it will not change at the next schedule setting on the App, until the wifi connection is restored.

ON/OFF

To switch on the heater, click the Power button (4). The current temperature (1) is displayed. Adjust your desired room temperature using the + and – buttons (2 & 3). The current temperature will be replaced by the setpoint temperature while you are adjusting this figure. Setpoint temperature will flash for two seconds after your final input and will then revert to showing actual temperature.

TIMER

A timer function is available allowing you to programme a fixed operating time (1 – 24 hrs) into the heater. With the timer set, the heater will operate to the setpoint temperature, but will switch off after the timer has reached zero. To set up the timer, hold the '-' button (3) for 3 seconds. "00H" will appear on the screen. Click the + and – buttons to increase and decrease the running hours (01 = 1 hour, 12 = 12 hours etc).

LIGHTS

Press the Light button (5) to turn the lighting on or off. Keep your finger on the light button to activate Dimming. (The light will go to minimum and maximum with a "beep" when it reaches either limit).

Colour warmth can be adjusted by pressing both the Light button (5) and '-' button (3) together until 'C1' appears in the screen (1). Adjust between C1 (6000K), C2 (4000K) or C3 (3000K). More colour options are available in the App.

ANTI-FOG

The heater has an anti-fog mode to keep the surface clear when the unit is not heating. To enable, hold the Power button (4) until "AF" appears on the Screen (1). Anti-fog will operate for 20 minutes and will leave the heater OFF after operation. To cancel an anti-fog mode, press and hold the power button until "OFF" appears in the Screen (1). The heater can then be restarted as you want.

Additional functions

Child Lock. To lock the touch screen control and prevent accidental settings changes, press + and – together for 3 seconds. “CL” will be shown in the temperature display. To remove child lock, click + and – for another 3 seconds and the heater will revert to normal touch screen control. Child lock can also be set in the App.

Open Window detection (available in App only). The heater has an “Open Window detection” feature when paired with the Smart Life app. By default the feature is OFF, but can be enabled in the app settings. When enabled, if there is a dramatic temperature drop in a short time, “OP” will be displayed on the screen and the heater will be switched off for 30 minutes to avoid wasting energy. After 30 minutes, the heater will start up again under its previous settings.

Calibration. The heater can be calibrated so it reads the same as other thermostats in a room. To enter calibration, click and hold the ‘+’ button (2) for 5 seconds and “0°C” will appear in the temperature display. Use the + or – buttons to increase the calibration (+5C) or decrease it (-5C). Decrease calibration if the heater is over-reading temperature relative to another thermostat. Increase calibration if the heater is under-reading temperature relative to another thermostat. Calibration can also be set in the App.

Operation – using the SmartLife app

The heater can be paired directly with the Smart Life App via your home wifi and can then be operated via your phone, as well as manually via the touch screen. Using Smart Life you can remotely set the temperature, switch the heater on and off or run the heater according to a schedule.

Be sure to follow the pairing instructions closely. Online help is also available via the Help & Support section of your local Herschel Website.

Pairing the Heater with Smart Life

In all pairing steps please ensure your mobile phone and the heater are connected to the 2.4GHz wireless connection. Pairing will not be successful using a 5GHz connection.

Download & Install the Smart Life App

Scan the QR code below to download the Smartlife App from the App Store or Google Play.

Alternatively, search “Smart Life” on Google Play or the App Store & look for this icon.

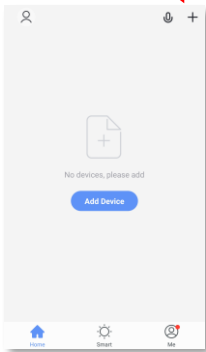


After installing and opening the Smart Life App, you must register an account using an email address and password and accept the terms of use.

To pair, turn your Mirror ON (or turn it OFF and then turn it back ON to start Wi-Fi Discovery). The Wi-Fi indicator on the control screen should be rapidly blinking.

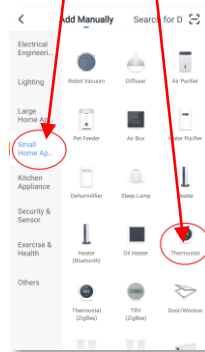
Go to the home screen of the Smart Life App.

Tap '+' top right of App



When adding a thermostat, you will be asked to enter your Wi-Fi password to pair the thermostat to that network.

Select "Small Home Appliances" and then "Wi-Fi Thermostats"



Confirm in the Smart Life App that the Wi-Fi indicator is rapidly blinking, and the pairing process will start. Please let the process run to 100% completion on the App.

The pairing process is very reliable on a 2.4GHz connection. Should the process fail please ensure you are on a 2.4GHz connection and retry the pairing process.

Alternative pairing mode

If pairing fails repeatedly and "Alternative Pairing Mode" (AP Mode) is suggested by the App, you can change your pairing mode (Wi-Fi Symbol blinking slowly). With the heater switched OFF, click the + button for 5 seconds until the touch screen shows "OFF" in the temperature display. Then click the Timer button for 5 seconds and the Wi-Fi symbol will flash slowly. Restart the pairing in the App and confirm the Wi-Fi symbol is flashing slowly. You can repeat the above process to switch back to EZ pairing mode (Wi-Fi symbol blinking quickly) too.

De-activate Wi-Fi

Wi-Fi can be deactivated entirely by clicking the Power button (4) until the screen shows "OFF" in the temperature display. Then click and hold the – button for 10 seconds to de-activate Wi-Fi. The wifi symbol on the touch screen will become un-lit. Click and hold the – button for 10 seconds to re-activate Wi-Fi again.

Additional functions in the App

Settings available in the App not available on the touch screen control.

- Smart Mode – allows you to set up and run your heater to a daily schedule.
- Remote operation of the heater wherever you are over the internet.
- Disable audible "beeps" that may occasionally be emitted by the controller unit on the heater.

Cleaning and maintenance



General

The heater is designed to last many years and incorporates several safety features, but if the heater has not been used or installed in adherence to these instructions, emits any noise, smell, or shows rapid discolouration of the mirror surface or exceptionally high temperatures, discontinue using the heater and refer to Herschel Customer Service or your local Herschel dealer.



Cleaning

Before attempting to clean the heater, unplug it, isolate the unit from the electrical supply and allow it to completely cool down.

DO NOT immerse the heater in water or splash water onto it.

Clean the heater with a damp cloth. Never use a wet cloth. When clean, dry the surfaces with a dry cloth.

DO NOT apply abrasive materials, solvents or solvent wipes to the surface as this can cause irreparable damage. Wait until the unit is completely dry before use.



Repair

DO NOT attempt to repair or adjust any electrical or mechanical functions on this unit, doing so will void your warranty. Repairs must only be carried out by Herschel or an authorised Herschel service partner.



Disposal

The heater is an electrical product and must not be disposed of in household waste. A high percentage of the heater can be recycled. Please treat as electrical waste and recycle in accordance with local regulations.



MESURES DE SÉCURITÉ IMPORTANTES

Le non-respect de ces instructions entraîne l'annulation de la garantie.
Ne pas démonter. Il n'y a pas de pièces réparables par l'utilisateur à l'intérieur.

AVERTISSEMENT

POUR RÉDUIRE LES RISQUES D'INCENDIE, D'ÉLECTROCUTI



Cet appareil doit être débranché de sa source d'alimentation pendant les activités d'installation ou d'entretien et lors de son remplacement.

Le radiateur est équipé d'un thermostat et d'un clavier de contrôle manuel de la température intégré et peut également être commandé à distance via un téléphone intelligent. Il convient de faire preuve de prudence lors de l'utilisation du radiateur à distance si des pièces peuvent être occupées par des personnes incapables de quitter la pièce par elles-mêmes, à moins qu'une surveillance constante ne soit assurée. Veillez à ce que les mesures de sécurité énoncées dans le présent manuel soient respectées, même lorsque le chauffage est utilisé à distance.

L'appareil est équipé de capteurs internes de sécurité à coupure thermique. Cependant, afin d'éviter toute surchauffe et tout risque d'incendie, NE Couvrez PAS le chauffage, quelles que soient les circonstances. NE PAS placer le chauffage à moins de 0,4 m de tout matériau inflammable (meubles, rideaux, etc.).

NE PAS toucher le chauffage lorsqu'il est utilisé. La température de surface de l'appareil est d'environ 95°C / 248°F (en fonction de la tension d'entrée) et un contact prolongé avec l'appareil peut provoquer des brûlures et des blessures.

NE PAS faire fonctionner l'appareil si le cordon ou la fiche est endommagé, si l'appareil fonctionne mal, s'il est tombé ou s'il a été endommagé de quelque manière que ce soit. Vérifiez que chaque appareil n'est pas endommagé avant de l'installer. Assurez-vous que l'appareil lui-même, la fiche et le câble ne présentent aucun signe visible de dommage. Si le câble est endommagé, l'appareil doit être envoyé pour réparation à un revendeur Herschel agréé.

Cet appareil ne doit être utilisé que pour chauffer des personnes ou des bâtiments. L'appareil ne doit pas être utilisé par des enfants ou des personnes dont les capacités physiques, sensorielles ou mentales sont réduites, ou qui manquent d'expérience ou de connaissances. Les enfants doivent être tenus à l'écart et ne doivent pas être laissés sans surveillance à proximité de l'appareil. N'utilisez PAS l'appareil à l'extérieur.

Tous les opérateurs ne doivent allumer/éteindre l'appareil que s'il a été placé ou installé dans sa position d'utilisation prévue, conformément à ces instructions. Les enfants ne doivent pas brancher, allumer ou régler l'appareil, ni effectuer l'entretien, y compris le nettoyage.

Les appareils de chauffage Herschel sont conçus pour être utilisés avec une tension alternative comprise entre 220 et 240 volts, 50 Hz AC. Si votre tension d'alimentation est supérieure à 240 volts, n'utilisez pas le radiateur et adressez-vous à votre revendeur local. Le non-respect de cette consigne annule la garantie.

L'appareil est conçu pour être fixé au mur uniquement et doit être installé sur une surface ininflammable.

PROTECTION CONTRE LA PÉNÉTRATION DE L'EAU IP44

Le miroir Herschel avec éclairage est conforme à la norme (minimum IP44), ce qui permet de l'installer dans la zone 2 d'une salle de bains. Ils ne peuvent pas être installés dans les zones 0 ou 1. Ils ne doivent pas être utilisés pour sécher des vêtements ou des serviettes.

L'installation dans des pièces potentiellement humides ou mouillées telles que les salles de bains doivent être effectuée par un installateur qualifié et être conforme aux exigences locales en matière de sécurité électrique. L'installation doit être telle que le chauffage ne puisse pas tomber dans une baignoire, une douche, une piscine ou tout autre récipient d'eau et que les interrupteurs et autres commandes ne puissent pas être touchés par une personne se trouvant dans la baignoire ou la douche.

En cas de doute, ne pas installer. Herschel Infrared Ltd ne sera pas responsable des pertes, dommages ou blessures causés ou résultant d'une installation inadéquate ou d'un placement incorrect des appareils de chauffage à proximité des sources d'eau.

AVERTISSEMENT

Le câblage de cet appareil doit être effectué conformément aux normes nationales de sécurité électrique en vigueur. Il s'agit d'un appareil de classe 1 qui doit être mis à la terre.

Dans les lieux publics, l'installation doit être conforme aux normes électriques locales en vigueur. Pour certains bâtiments publics tels que les écoles et les maisons de retraite, les appareils de chauffage doivent être placés conformément à la législation spécifique à ces types de bâtiments.

L'alimentation électrique de chaque appareil de chauffage doit être assurée par un circuit protégé par un fusible ou un dispositif à courant résiduel (DDR) ou un disjoncteur de fuite à la terre (DDFT) adapté à la puissance électrique de l'appareil.

Code de couleurs utilisé dans le câble d'alimentation fourni : Le fil BRUN doit être raccordé à la prise LIVE ("L"), le fil BLEU à la prise NEUTRE ("N") et le fil VERT/JAUNE à la prise TERRE ("E").

ATTENTION

L'appareil est conçu pour être raccordé à un réseau électrique fixe et n'est pas fourni avec une prise. Tout câblage extérieur au chauffe-eau entrant en contact ou à proximité du chauffe-eau doit être protégé par une gaine d'une température nominale d'au moins 90°C.

Tous les câbles situés derrière le radiateur doivent être maintenus à l'écart du radiateur et ne doivent pas constituer un risque de trébuchement.

NE PAS enrouler le câble d'alimentation.

NE PAS attacher ou nouer l'excédent de câble à la poignée située à l'arrière de l'appareil.

NE PAS placer le chauffage juste en dessous d'une prise de courant.

NE PAS percer le radiateur car cela causerait des dommages irréparables et serait également dangereux.

NE PAS raccorder au réseau électrique un appareil endommagé de quelque manière que ce soit.

Garantie de 5 ans

Enregistrez votre produit ici <https://www.herschel-infrarouge.fr/service-clients/politique-de-garantie/>.

Dans les cinq ans suivant la date d'achat, Herschel réparera ou remplacera le radiateur si le défaut est dû à des vices de matériaux ou de fabrication. Cette garantie s'applique uniquement à un usage domestique standard et exclut les utilisations commerciales. En cas de réclamation au titre de la garantie, veuillez vous rendre dans la section Service clientèle du site Web de Herschel et suivre la procédure de réclamation au titre de la garantie. Vous aurez besoin d'une preuve d'achat et de photos de l'appareil de chauffage.

La condition préalable à la validité de la garantie est l'utilisation de l'appareil à la tension d'alimentation spécifiée et l'utilisation conformément aux conditions spécifiées dans le présent manuel. Toute autre garantie ou réclamation est exclue.

La garantie couvre uniquement la réparation ou le remplacement du produit défectueux et Herschel n'est pas responsable des frais d'installation ou des pertes indirectes, quelles qu'elles soient. La décision de réparer ou de remplacer le produit incombe uniquement à Herschel et tout remplacement sera aussi proche que possible de la spécification de l'appareil défectueux.

Le retrait du numéro de série annule la garantie. La garantie sera également annulée si l'appareil a été manipulé ou ouvert de quelque manière que ce soit.

L'étiquette d'alimentation du produit doit être laissée sur l'appareil de manière à ce qu'elle puisse être consultée après l'installation, si nécessaire.

Herschel Infrared Ltd n'assume aucune responsabilité pour les rayures sur la surface après la première utilisation.

Clause de non-responsabilité

Herschel Infrared Ltd ne peut être tenu responsable des dommages, pertes ou blessures causés par la pénétration d'eau ou d'humidité, les dommages accidentels, une mauvaise manipulation, un impact externe, un réglage effectué par du personnel non autorisé ou le non-respect des précautions d'entretien et de sécurité indiquées dans le manuel. Se référer à la politique de garantie de Herschel Infrared Ltd pour plus de détails. Voir <https://www.herschel-infrarouge.fr/>

Conformité à l'écoconception

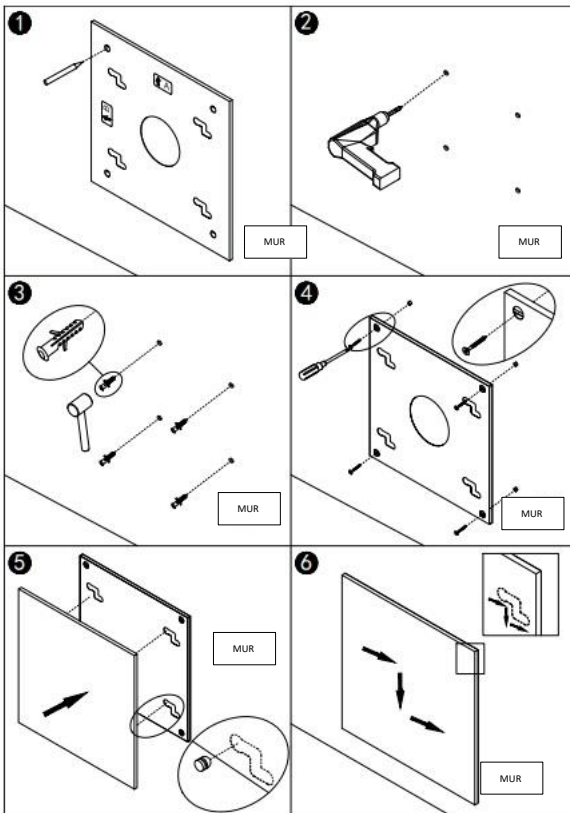
Le miroir avec lumières est conforme à la directive 2009/125/CE sur l'écoconception (lot 20).

Mise en place

Le radiateur est conçu pour être fixé de manière permanente à un mur solide. S'il est monté sur d'autres types de murs (par exemple des plaques de plâtre), vous aurez besoin de fixations appropriées (non fournies). L'appareil de chauffage doit être dégagé d'autres objets à 200 mm au-dessus, en dessous et sur les côtés.

Préparation – Avis important

Lorsque le support EasyFix est monté sur le panneau, il sera décalé par rapport au centre en raison du mouvement de verrouillage. Pour vous assurer que votre panneau s'adapte exactement là où vous le souhaitez sur le mur, il est important avant de l'installer de placer le support sur le panneau en position verrouillée et de mesurer la distance entre les trous de montage du support et les bords du panneau avant de les marquer, de les vérifier et de les percer sur le mur pour tenir compte de ce décalage.



Étape 1

Utilisez un niveau à bulle pour vous assurer que le support est de niveau et marquez la position pour percer chacun des petits trous dans les quatre coins du support de montage (figure 1).

Étape 2

Percez les trous à l'aide d'une perceuse de 8 mm (figure 2). Insérez les chevilles fournies (figure 3). En cas de montage sur un mur creux, vous aurez besoin de fixations appropriées (non fournies).

Étape 3

Visser le support de montage au mur à l'aide des vis fournies (figure 4).

Étape 4

Fixez le panneau au mur en insérant les quatre fixations de montage à l'arrière du panneau dans les larges ouvertures du support de montage. Une fois en place, le panneau doit être déplacé vers la droite, puis vers le bas et de nouveau vers la droite jusqu'à sa position de sécurité (montage portrait) ou vers le bas, puis vers la gauche et de nouveau vers le bas (montage paysage) (fig. 5 et 6).

Étape 5

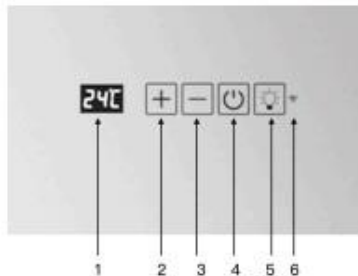
Dévissez les quatre pièces d'écartement (dans chaque coin) à l'arrière du panneau de l'appareil de chauffage de manière à ce que le panneau soit maintenu fermement dans son support mural et ne puisse pas être déplacé. Veillez à ce que le câble d'alimentation ne soit pas obstrué derrière le panneau.

Déménagement

Herschel Easy-fix est conçu pour être sécurisé afin d'éviter tout démontage accidentel ou toute manipulation du panneau. Pour démonter le panneau, il suffit de revisser les quatre pièces d'écartement et de déplacer le panneau vers la gauche, puis vers le haut et à nouveau vers la gauche.

Fonctionnement

Le chauffage est doté d'un écran tactile intégré, ce qui signifie qu'aucun thermostat supplémentaire n'est nécessaire pour contrôler le chauffage. Votre chauffage peut être contrôlé à l'aide de l'écran tactile ou de l'application Smart Life sur votre téléphone intelligent. Le chauffage et les lumières peuvent être contrôlés par l'écran tactile et l'application.



Fonctions de l'écran tactile

1. Écran
2. Touche + (augmentation)
3. Touche - (Diminution)
4. Touche d'alimentation
5. Touche lumière
6. Indicateur Wifi

Le chauffage peut être utilisé à une température de consigne fixe à l'aide de la commande à écran tactile. Par ailleurs, si le radiateur est associé à l'application Smart Life, il peut être entièrement programmé pour fonctionner selon un calendrier de chauffage défini et intégré pour fonctionner avec vos autres radiateurs Herschel et appareils Smart Home. Si le signal wifi est perdu, le chauffage continuera à fonctionner à sa température de consigne actuelle, mais il ne changera pas au prochain réglage du programme sur l'App, jusqu'à ce que la connexion wifi soit rétablie.

MARCHE/ARRET

Pour allumer le chauffage, cliquez sur la touche d'alimentation (4). La température actuelle (1) s'affiche. Réglez la température ambiante souhaitée à l'aide des boutons + et - (2 & 3). La température actuelle sera remplacée par la température de consigne pendant que vous réglez ce chiffre. La température de consigne clignotera pendant deux secondes après votre dernière saisie, puis reviendra à l'affichage de la température actuelle.

MINUTERIE

Une fonction de minuterie permet de programmer une durée de fonctionnement fixe (de 1 à 24 heures). Lorsque la minuterie est réglée, le chauffage fonctionne jusqu'à la température de consigne, mais s'éteint une fois que la minuterie a atteint zéro. Pour régler la minuterie, maintenez la touche '-' (3) enfoncée pendant 3 secondes. L'écran affiche "00H". Cliquez sur les boutons + et - pour augmenter ou diminuer le nombre d'heures de fonctionnement (01 = 1 heure, 12 = 12 heures, etc.).

LUMIÈRES

Appuyez sur la touche Lumière (5) pour allumer ou éteindre l'éclairage. Maintenez votre doigt sur la touche d'éclairage pour activer l'atténuation. (La lumière passera au minimum et au maximum avec un "bip" lorsqu'elle atteindra l'une ou l'autre limite).

La chaleur des couleurs peut être réglée en appuyant simultanément sur les boutons lumière (5) et '-' (3) jusqu'à ce que 'C1' apparaisse à l'écran (1). Réglez entre C1 (6000K), C2 (4000K) ou C3 (3000K). D'autres options de couleurs sont disponibles dans l'application.

ANTI-BUÉE

Le radiateur dispose d'un mode anti-buée pour garder la surface dégagée lorsque l'appareil ne chauffe pas. Pour l'activer, maintenez le bouton d'alimentation (4) enfoncé jusqu'à ce que « AF » apparaisse sur l'écran (1). L'antibuée fonctionnera pendant 20 minutes et laissera le radiateur éteint après l'opération. Pour annuler un mode anti-buée, appuyez sur le bouton d'alimentation et maintenez-le enfoncé jusqu'à ce que « OFF » apparaisse à l'écran (1). Le radiateur peut ensuite être redémarré comme vous le souhaitez.

FRANÇAIS

Fonctions supplémentaires

Verrouillage enfant. Pour verrouiller l'écran tactile et empêcher toute modification accidentelle des réglages, appuyez simultanément sur les touches + et - pendant 3 secondes. La mention "CL" s'affiche sur l'écran de température. Pour supprimer le verrouillage enfant, cliquez sur + et - pendant 3 secondes supplémentaires et le chauffage reviendra à la commande normale de l'écran tactile. Le verrouillage des enfants peut également être réglé dans l'application.

Détection de fenêtre ouverte (disponible dans l'application uniquement). Le radiateur est doté d'une fonction de "détection de fenêtre ouverte" lorsqu'il est associé à l'application Smart Life. Par défaut, cette fonction est désactivée, mais elle peut être activée dans les paramètres de l'application. Lorsqu'elle est activée, en cas de chute brutale de la température en peu de temps, le message "OP" s'affiche à l'écran et le chauffage s'éteint pendant 30 minutes pour éviter de gaspiller de l'énergie. Au bout de 30 minutes, le chauffage se remettra en marche selon les réglages précédents.

Étalonnage. L'appareil peut être étalonné de façon à ce que sa température soit la même que celle des autres thermostats de la pièce. Pour procéder à l'étalonnage, cliquez sur la touche "+" (2) et maintenez-le enfoncé pendant 5 secondes ; "0°C" s'affiche alors à l'écran. Utilisez les boutons + ou - pour augmenter l'étalonnage (+5C) ou le diminuer (-5C). Diminuez l'étalonnage si l'appareil surestime la température par rapport à un autre thermostat. Augmentez l'étalonnage si le chauffage sous-estime la température par rapport à un autre thermostat. L'étalonnage peut également être réglé dans l'application.

Fonctionnement - utilisation de l'application SmartLife

Le chauffage peut être couplé directement à l'application Smart Life via le réseau wifi de votre domicile et peut ensuite être commandé via votre téléphone, ainsi que manuellement via l'écran tactile. Grâce à Smart Life, vous pouvez régler la température à distance, allumer et éteindre le chauffage ou le faire fonctionner selon un programme.

Veillez à suivre scrupuleusement les instructions de couplage. Une aide en ligne est également disponible dans la section Aide et assistance du site Web Herschel de votre région.

Associer le chauffage à Smart Life

Lors de toutes les étapes d'appairage, assurez-vous que votre téléphone portable et le radiateur sont connectés à une connexion sans fil de 2,4 GHz. L'appairage ne sera pas possible avec une connexion 5GHz.

Télécharger et installer l'application Smart Life

Scannez le code QR ci-dessous pour télécharger l'application Smartlife depuis l'App Store ou Google Play.

Vous pouvez également rechercher "Smart Life" sur Google Play ou l'App Store et rechercher cette icône.



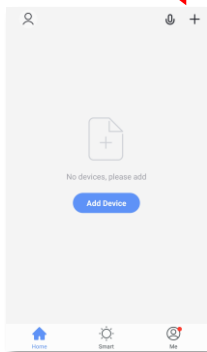
FRANÇAIS

Après avoir installé et ouvert l'application Smart Life, vous devez créer un compte à l'aide d'une adresse électronique et d'un mot de passe et accepter les conditions d'utilisation.

Pour procéder à l'appairage, allumez votre Miroir (ou éteignez-le puis rallumez-le pour lancer la découverte du Wifi). L'indicateur wifi sur l'écran de contrôle doit clignoter rapidement.

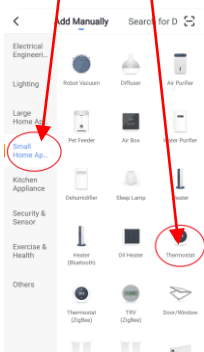
Accédez à l'écran d'accueil de l'application Smart Life.

Appuyez sur "+" en haut à droite de l'application



Lors de l'ajout d'un thermostat, il vous sera demandé d'entrer votre mot de passe Wifi pour coupler le thermostat à ce réseau.

Sélectionnez "Petits appareils ménagers" puis "Thermostats Wifi"



Confirmez dans l'application Smart Life que le voyant wifi clignote rapidement et le processus d'appairage commencera. Veuillez laisser le processus se dérouler jusqu'à 100% sur l'application.

Le processus d'appairage est très fiable sur une connexion 2.4GHz. En cas d'échec, assurez-vous que vous êtes bien sur une connexion 2.4GHz et réessayez le processus d'appairage.

Autre mode d'appariement

Si l'appairage échoue de manière répétée et que l'application propose un "mode d'appairage alternatif" (mode AP), vous pouvez changer de mode d'appairage (le symbole Wifi clignote lentement). Le chauffage étant allumé, cliquez sur la touche + pendant 3 secondes jusqu'à ce que l'écran tactile affiche "OFF" dans l'affichage de la température. Cliquez ensuite sur la touche Timer pendant 5 secondes et le symbole wifi clignotera lentement. Redémarrez l'appairage dans l'application et confirmez que le symbole wifi clignote lentement.

Vous pouvez répéter le processus ci-dessus pour revenir au mode d'appairage EZ (symbole wifi clignotant rapidement).

Désactiver le wifi

Le wifi peut être entièrement désactivé en cliquant sur la touche + pendant 3 secondes jusqu'à ce que l'écran tactile affiche "OFF" dans l'affichage de la température. Cliquez ensuite sur la touche - et maintenez-le enfoncé pendant 10 secondes pour désactiver le wifi. Cliquez sur la touche - et maintenez-le enfoncé pendant 10 secondes pour réactiver le wifi.

Fonctions supplémentaires dans l'application

Les réglages disponibles dans l'application ne sont pas disponibles sur l'écran tactile.

- Smart Mode - vous permet de configurer et de faire fonctionner votre chauffage selon un programme quotidien.
- Commande à distance du chauffage, où que vous soyez, via Internet.
- Désactiver les "bips" sonores qui peuvent parfois être émis par l'unité de contrôle du chauffage.

Nettoyage et entretien



Général

Veillez noter qu'il est possible que le chauffage se décolore à l'usage - cela est dû à la pollution de l'air et n'est pas un défaut. Le chauffage est conçu pour durer de nombreuses années et comporte plusieurs dispositifs de sécurité, mais si le chauffage n'a pas été utilisé ou installé conformément à ces instructions, s'il émet un bruit ou une odeur, s'il présente une décoloration rapide de la surface ou des températures exceptionnellement élevées, cessez d'utiliser le chauffage et adressez-vous au service clientèle de Herschel ou à votre revendeur Herschel local.



Nettoyage

Avant de nettoyer le chauffe-eau, débranchez-le, isolez-le de l'alimentation électrique et laissez-le refroidir complètement.

NE PAS immerger l'appareil dans l'eau ou l'asperger d'eau.

Nettoyez l'appareil à l'aide d'un chiffon humide. N'utilisez jamais un chiffon mouillé. Une fois les surfaces nettoyées, séchez-les avec un chiffon sec.

N'appliquez PAS de matériaux abrasifs, de solvants ou de lingettes solvantes sur la surface, car cela pourrait l'endommager irrémédiablement. Attendez que l'appareil soit complètement sec avant de l'utiliser.



Réparation

N'essayez PAS de réparer ou d'ajuster les fonctions électriques ou mécaniques de cet appareil, cela annulerait votre garantie. Les réparations ne doivent être effectuées que par Herschel ou un partenaire de service agréé par Herschel.



Disposition

Le chauffage est un produit électrique et ne doit pas être jeté dans les ordures ménagères. Un pourcentage élevé de l'appareil de chauffage peut être recyclé. Veuillez les traiter comme des déchets électriques et les recycler conformément aux réglementations locales.



WICHTIGE SICHERHEITSMASSNAHMEN

DEUTSCH

Die Nichtbeachtung dieser Anweisungen führt zum Erlöschen der Garantie.
Nehmen Sie das Gerät nicht auseinander. Es befinden sich keine vom Benutzer reparierbaren Teile im Inneren.

WARNUNG

UM DIE GEFAHR VON FEUER, STROMSCHLÄGEN ODER VERLETZUNGEN ZU VERRINGERN

Dieses Gerät muss während der Installations- oder Wartungsarbeiten und beim Austausch von der Stromquelle getrennt werden.

Der Heizung ist mit einem eingebauten Thermostat und einer Tastatur zur manuellen Temperaturregelung ausgestattet und kann auch über ein Smartphone ferngesteuert werden. Bei der Fernbedienung des Heizungs ist Vorsicht geboten, wenn Räume von Personen belegt sein können, die den Raum nicht selbstständig verlassen können, es sei denn, es ist eine ständige Überwachung gewährleistet. Achten Sie darauf, dass die in dieser Anleitung aufgeführten Sicherheitsmaßnahmen auch dann eingehalten werden, wenn der Ofen aus der Ferne betrieben wird.

Das Gerät ist mit internen Sicherheitssensoren mit thermischer Abschaltung ausgestattet. Um eine Überhitzung und Brandgefahr zu vermeiden, dürfen Sie das Heizgerät jedoch unter keinen Umständen abdecken. Stellen Sie das Heizgerät NICHT näher als 0,4 m an brennbare Materialien (Möbel, Vorhänge usw.).

Berühren Sie die Heizung NICHT, wenn sie in Betrieb ist. Die Oberflächentemperatur des Geräts beträgt ca. 95 °C / 248 °F (abhängig von der Eingangsspannung) und ein längerer Kontakt mit dem Gerät kann zu Verbrennungen und Verletzungen führen.

Betreiben Sie das Gerät NICHT, wenn das Kabel oder der Stecker beschädigt ist, wenn das Gerät nicht richtig funktioniert, wenn es heruntergefallen ist oder anderweitig beschädigt wurde. Überprüfen Sie jedes Gerät auf Schäden, bevor Sie es aufstellen. Vergewissern Sie sich, dass das Gerät selbst, der Stecker und das Kabel keine sichtbaren Anzeichen von Schäden aufweisen. Wenn das Kabel beschädigt ist, muss das Gerät zur Reparatur an einen autorisierten Herschel-Händler geschickt werden.

Dieses Gerät darf nur zum Heizen von Personen oder Gebäuden verwendet werden. Das Gerät darf nicht von Kindern oder Personen mit eingeschränkten physischen, sensorischen oder geistigen Fähigkeiten oder Mangel an Erfahrung oder Wissen benutzt werden. Kinder müssen ferngehalten werden und dürfen nicht unbeaufsichtigt in der Nähe des Geräts gelassen werden. Verwenden Sie das Gerät NICHT im Freien.

Alle Bediener dürfen das Gerät nur dann ein- bzw. ausschalten, wenn es in Übereinstimmung mit dieser Anleitung an seiner vorgesehenen Verwendungsposition aufgestellt oder installiert wurde. Kinder dürfen das Gerät nicht anschließen, einschalten oder einstellen und keine Wartungsarbeiten, einschließlich Reinigungsarbeiten, durchführen.

Die Heizgeräte von Herschel sind für den Betrieb mit einer Wechselspannung zwischen 220 und 240 Volt, 50 Hz AC ausgelegt. Wenn Ihre Versorgungsspannung höher als 240 Volt ist, verwenden Sie den Heizung nicht und wenden Sie sich an Ihren örtlichen Händler. Bei Nichtbeachtung dieser Anweisung erlischt die Garantie.

Das Gerät ist nur für die Wandmontage vorgesehen und sollte auf einer nicht brennbaren Oberfläche aufgestellt werden.

SCHUTZ GEGEN DAS EINDRINGEN VON WASSER IP44

Der Herschel-Spiegel mit Beleuchtung erfüllt die Norm (mindestens IP44), sodass er in Zone 2 eines Badezimmers aufgestellt werden kann. Sie können nicht in den Zonen 0 oder 1 installiert werden. Sie sollten nicht zum Trocknen von Kleidung oder Handtüchern verwendet werden.

Die Installation in potenziell feuchten oder nassen Räumen wie Badezimmern muss von einem qualifizierten Installateur vorgenommen werden und den örtlichen Anforderungen an die elektrische Sicherheit entsprechen. Die Installation muss so erfolgen, dass das Heizgerät nicht in eine Badewanne, eine Dusche, ein Schwimmbaden oder einen anderen Wasserbehälter fallen kann und dass die Schalter und anderen Bedienelemente nicht von einer Person berührt werden können, die sich in der Badewanne oder Dusche befindet.

Im Zweifelsfall nicht installieren. Herschel Infrared Ltd. haftet nicht für Verluste, Schäden oder Verletzungen, die durch eine unsachgemäße Installation oder Platzierung von Heizgeräten in der Nähe von Wasserquellen verursacht werden oder daraus resultieren.



⚠ AVERTISSEMENT

Dieses Gerät muss gemäß den geltenden nationalen elektrischen Sicherheitsnormen angeschlossen werden. Es handelt sich um ein Gerät der Klasse 1 und muss geerdet werden.

In öffentlichen Gebäuden muss die Installation den geltenden lokalen elektrischen Normen entsprechen. In einigen öffentlichen Gebäuden, wie z. B. Schulen und Altenheimen, müssen die Heizgeräte in Übereinstimmung mit den für diese Art von Gebäuden geltenden Vorschriften installiert werden.

Die Stromversorgung jedes Heizgeräts muss über einen Stromkreis erfolgen, der durch eine Sicherung, einen Fehlerstrom-Schutzschalter oder einen Fehlerstrom-Schutzschalter geschützt ist, der für die Nennleistung des Heizgeräts geeignet ist.

Farbcode des mitgelieferten Netzkabels: Das BRAUNE Kabel muss an den LANGEN ("L") Kontakt, das BLAUE Kabel an den NEUTRALEN ("N") Kontakt und das GRÜNE/GELBE Kabel an den ERDEN ("E") Kontakt angeschlossen werden.

DEUTSCH**⚠ ACHTUNG**

Das Gerät ist für den Anschluss an eine feste Stromquelle vorgesehen und wird nicht mit einem Stecker geliefert. Alle Kabel außerhalb des Heizgeräts, die mit dem Heizgerät oder in dessen Nähe in Berührung kommen, müssen durch eine Ummantelung mit einer Temperatur von mindestens 90 °C geschützt sein.

Alle Kabel hinter dem Heizgerät müssen vom Heizgerät ferngehalten werden und dürfen keine Stolperfalle darstellen.

Rollen Sie das Stromkabel NICHT auf.

Überschüssiges Kabel NICHT am Griff auf der Rückseite des Heizgeräts verknoten oder festbinden.

Stellen Sie das Heizgerät NICHT direkt unter eine Wandsteckdose.

Stechen Sie KEINE Löcher in das Heizgerät, da dies irreparable Schäden verursachen würde und außerdem gefährlich ist.

Schließen Sie ein beschädigtes Heizgerät NICHT an das Stromnetz an.

5 Jahre Garantie

Registrieren Sie Ihr Produkt hier <https://www.herschel-infrarotheizung.de/kundendienst/garantiebestimmungen/>.

Innerhalb von fünf Jahren ab Kaufdatum wird Herschel den Ofen reparieren oder ersetzen, wenn der Defekt auf Material- oder Herstellungsfehler zurückzuführen ist. Diese Garantie gilt nur für die normale Nutzung im Haushalt und schließt die gewerbliche Nutzung aus. Im Falle eines Garantieanspruchs gehen Sie bitte zum Kundendienst auf der Herschel-Website und folgen Sie dem Garantieantragsverfahren. Sie benötigen einen Kaufnachweis und Fotos des Heizelements.

Voraussetzung für die Gültigkeit der Garantie ist, dass das Gerät mit der angegebenen Versorgungsspannung betrieben und entsprechend den in dieser Anleitung genannten Bedingungen eingesetzt wird. Jegliche andere Gewährleistung oder Ansprüche sind ausgeschlossen.

Die Garantie deckt nur die Reparatur oder den Ersatz des defekten Produkts ab. Herschel ist nicht verantwortlich für Installationskosten oder Folgeschäden jeglicher Art. Die Entscheidung, das Produkt zu reparieren oder zu ersetzen, liegt allein bei Herschel und jeder Ersatz wird so nah wie möglich an der Spezifikation des defekten Geräts sein.

Durch Entfernen der Seriennummer erlischt der Garantieanspruch. Die Garantie erlischt auch, wenn das Gerät in irgendeiner Weise behandelt oder geöffnet wurde.

Das Produktetikett für die Stromversorgung sollte auf dem Gerät verbleiben, damit es nach der Installation bei Bedarf eingesehen werden kann.

Herschel Infrared Ltd übernimmt keine Verantwortung für Kratzer auf der Oberfläche nach dem ersten Gebrauch.

Haftungsausschluss

Herschel Infrared Ltd haftet nicht für Schäden, Verluste oder Verletzungen, die durch das Eindringen von Wasser oder Feuchtigkeit, versehentliche Beschädigung, falsche Handhabung, äußere Einwirkung, Einstellung durch nicht autorisiertes Personal oder Nichtbeachtung der in diesem Handbuch angegebenen Pflege- und Sicherheitsvorkehrungen verursacht werden. Weitere Einzelheiten finden Sie in der Garantiepolitik von Herschel Infrared Ltd. Siehe <https://www.herschel-infrarotheizung.de/>.

Einhaltung des Ökodesigns

Der Spiegel mit Lichtern erfüllt die Anforderungen der Ökodesign-Richtlinie 2009/125/EG (Los 20).

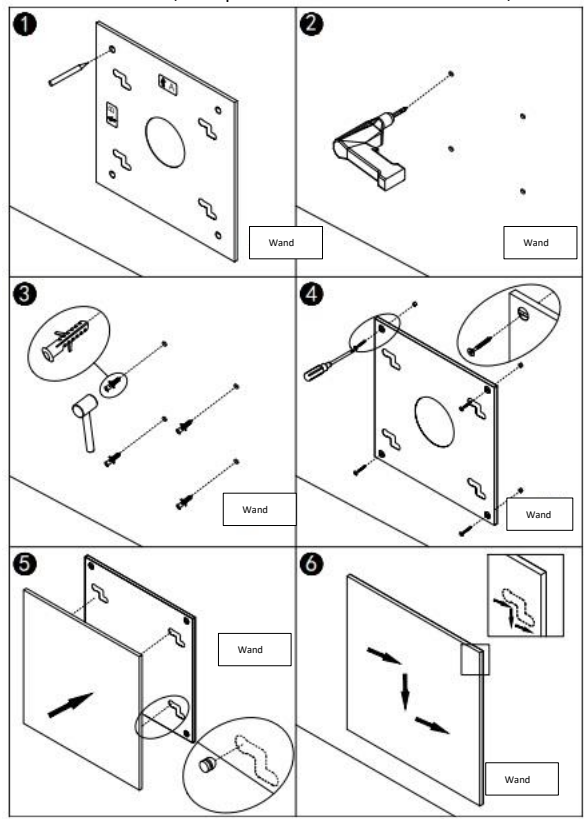
DEUTSCH

Einsetzen

Die Heizung ist so konzipiert, dass sie dauerhaft an einer massiven Wand befestigt werden kann. Bei der Montage an anderen Wandtypen (z. B. Gipskartonplatten) benötigen Sie entsprechende Befestigungen (nicht im Lieferumfang enthalten). Die Heizung muss 200 mm oberhalb, unten und seitlich von anderen Gegenständen entfernt sein.

Vorbereitung – Wichtiger Hinweis

Wenn die EasyFix-Halterung an der Platte angebracht ist, wird sie aufgrund der Verriegelungsbewegung von der Mitte versetzt. Um sicherzustellen, dass Ihr Panel genau dort angebracht ist, wo Sie es an der Wand haben möchten, ist es wichtig, dass Sie die Halterung vor der Montage in ihrer verriegelten Position auf die Platte setzen und den Abstand der Befestigungslöcher an der Halterung zu den Kanten der Platte messen, bevor Sie sie dann markieren, überprüfen und an der Wand bohren, um diesen Versatz auszugleichen.



Schritt 1

Verwenden Sie eine Wasserwaage, um sicherzustellen, dass die Halterung waagrecht liegt, und markieren Sie die Position, um jedes der kleinen Löcher in die vier Ecken der Montagehalterung zu bohren (Abbildung 1).

Schritt 2

Bohren Sie die Löcher mit einem 8-mm-Bohrer (Abbildung 2). Setzen Sie die mitgelieferten Dübel ein (Abbildung 3). Bei der Montage an einer Hohlwand benötigen Sie geeignete Befestigungen (nicht im Lieferumfang enthalten).

Schritt 3

Schrauben Sie die Montagehalterung mit den mitgelieferten Schrauben an die Wand (Abbildung 4).

Schritt 4

Befestigen Sie das Panel an der Wand, indem Sie die vier Montagebefestigungen auf der Rückseite des Panels in die breiten Öffnungen der Montagehalterung einführen. Nach dem Anbringen muss das Panel nach rechts, dann nach unten und wieder nach rechts in seine sichere Position (Hochformatmontage) oder nach unten, dann nach links und wieder nach unten (Querformatmontage) bewegt werden (Abb. 5 und 6).

Schritt 5

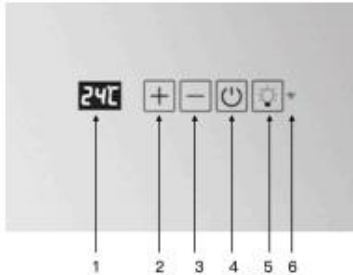
Schrauben Sie die vier Distanzstücke (in jeder Ecke) auf der Rückseite der Heizkörperplatte ab, sodass die Platte fest in der Wandhalterung sitzt und nicht verschoben werden kann. Achten Sie darauf, dass das Stromkabel hinter dem Panel nicht behindert wird.

Verwaltung

Herschel Easy-fix ist so konzipiert, dass es sicher ist, um ein versehentliches Abnehmen oder Manipulieren des Panels zu verhindern. Um das Panel zu demontieren, schrauben Sie einfach die vier Abstandshalter wieder fest und bewegen Sie das Panel nach links, dann nach oben und wieder nach links.

Betrieb

Die Heizung hat einen eingebauten Touchscreen, was bedeutet, dass kein zusätzlicher Thermostat zur Steuerung der Heizung erforderlich ist. Ihre Heizung kann über den Touchscreen oder die Smart Life App auf Ihrem Smartphone gesteuert werden. Die Heizung und das Licht können sowohl über den Touchscreen als auch über die App gesteuert werden.

**Funktionen des Touchscreens**

1. Bildschirm
2. +-Taste (Erhöhung)
3. - Taste (Verringern)
4. Power-Taste
5. Leuchtende Taste
6. Wifi-Anzeige

Die Heizung kann mithilfe der Touchscreen-Steuerung mit einer festen Solltemperatur betrieben werden. Außerdem kann der Ofen, wenn er mit der Smart Life App verbunden ist, vollständig so programmiert werden, dass er nach einem festgelegten Heizplan arbeitet, und so integriert werden, dass er mit Ihren anderen Herschel-Öfen und Smart Home-Geräten funktioniert. Wenn das Wifi-Signal verloren geht, läuft die Heizung weiterhin mit ihrer aktuellen Solltemperatur, ändert sich aber nicht auf die nächste Programmeinstellung in der App, bis die Wifi-Verbindung wieder hergestellt ist.

ON/OFF

Um die Heizung einzuschalten, klicken Sie auf die Schaltfläche Power (4). Die aktuelle Temperatur (1) wird angezeigt. Stellen Sie mithilfe der Tasten + und - (2 & 3) die gewünschte Raumtemperatur ein. Die aktuelle Temperatur wird durch die Solltemperatur ersetzt, während Sie diese Zahl einstellen. Die Solltemperatur wird nach Ihrer letzten Eingabe zwei Sekunden lang blinken und dann zur Anzeige der aktuellen Temperatur zurückkehren.

TIMER

Mit einer Timerfunktion können Sie eine feste Betriebszeit (von 1 bis 24 Stunden) einstellen. Wenn der Timer eingestellt ist, läuft die Heizung bis zur eingestellten Temperatur, schaltet sich aber aus, sobald der Timer Null erreicht hat. Um den Timer einzustellen, halten Sie die Taste '-' (3) 3 Sekunden lang gedrückt. Auf dem Bildschirm wird "00H" angezeigt. Klicken Sie auf die Schaltflächen + und -, um die Anzahl der Betriebsstunden zu erhöhen oder zu verringern (01 = 1 Stunde, 12 = 12 Stunden usw.).

LICHT

Drücken Sie die Lichttaste (5), um die Beleuchtung ein- oder auszuschalten. Halten Sie Ihren Finger auf der Lichttaste gedrückt, um die Dimmung zu aktivieren. (Das Licht schaltet mit einem "Piepton" auf Minimum und Maximum, wenn es eine der beiden Grenzen erreicht).

Die Farbwärme kann eingestellt werden, indem Sie gleichzeitig die Tasten Light (5) und '-' (3) drücken, bis 'C1' auf dem Bildschirm (1) erscheint. Stellen Sie zwischen C1 (6000K), C2 (4000K) oder C3 (3000K) ein. Weitere Farboptionen sind in der Anwendung verfügbar.

ANTI-FOG

Das Heizgerät verfügt über einen Anti-Beschlag-Modus, um die Oberfläche frei zu halten, wenn das Gerät nicht heizt. Zur Aktivierung halten Sie die Einschalttaste (4) gedrückt, bis "AF" auf dem Bildschirm (1) erscheint. Der Anti-Beschlag-Modus ist 20 Minuten lang aktiv und schaltet das Heizgerät danach aus. Um den Anti-Beschlag-Modus zu beenden, halten Sie die Ein/Aus-Taste gedrückt, bis auf dem Bildschirm (1) "OFF" erscheint. Das Heizgerät kann dann wie gewünscht neu gestartet werden.

DEUTSCH

Zusätzliche Funktionen

Kindersicherung. Um die Touchscreen-Steuerung zu sperren und versehentliche Änderungen der Einstellungen zu verhindern, drücken Sie + und - gleichzeitig 3 Sekunden lang. Auf der Temperaturanzeige wird "CL" angezeigt. Um die Kindersicherung aufzuheben, drücken Sie + und - für weitere 3 Sekunden und das Heizgerät kehrt zur normalen Touchscreen-Steuerung zurück. Die Kindersicherung kann auch in der App eingestellt werden.

Erkennung offener Fenster (nur in der App verfügbar). Das Heizgerät verfügt über die Funktion "Erkennung offener Fenster", wenn es mit der Smart Life App gekoppelt ist. Die Funktion ist standardmäßig ausgeschaltet, kann aber in den App-Einstellungen aktiviert werden. Wenn diese Funktion aktiviert ist, wird bei einem drastischen Temperaturabfall in kurzer Zeit "OP" auf dem Bildschirm angezeigt und das Heizgerät wird für 30 Minuten ausgeschaltet, um Energieverschwendung zu vermeiden. Nach 30 Minuten wird das Heizgerät mit den vorherigen Einstellungen wieder eingeschaltet.

Kalibrierung. Das Heizgerät kann kalibriert werden, damit es die gleichen Werte wie andere Thermostate in einem Raum anzeigt. Um die Kalibrierung einzuleiten, halten Sie die Taste "+" (2) 5 Sekunden lang gedrückt, woraufhin auf der Temperaturanzeige "0°C" erscheint. Verwenden Sie die Tasten + oder -, um die Kalibrierung zu erhöhen (+5C) oder zu verringern (-5C). Verringern Sie die Kalibrierung, wenn das Heizgerät die Temperatur im Vergleich zu einem anderen Thermostat zu hoch anzeigt. Erhöhen Sie die Kalibrierung, wenn das Heizgerät die Temperatur im Vergleich zu einem anderen Thermostat zu niedrig anzeigt. Die Kalibrierung kann auch in der App eingestellt werden.

Bedienung - mit der SmartLife-App

Der Heizlüfter kann direkt mit der Smart Life App über Ihr Heim-WLAN gekoppelt werden und kann dann über Ihr Telefon sowie manuell über den Touchscreen bedient werden. Mit Smart Life können Sie die Temperatur aus der Ferne einstellen, die Heizung ein- und ausschalten oder die Heizung nach einem Zeitplan laufen lassen.

Achten Sie darauf, dass Sie die Anweisungen zur Kopplung genau befolgen. Online-Hilfe ist auch über den Abschnitt Hilfe & Support auf Ihrer lokalen Herschel-Website verfügbar.

Kopplung des Heizgeräts mit Smart Life

Achten Sie bei allen Kopplungsschritten darauf, dass Ihr Mobiltelefon und das Heizgerät mit einer 2,4-GHz-Wireless-Verbindung verbunden sind. Bei einer 5GHz-Verbindung wird die Kopplung nicht erfolgreich sein.

Herunterladen und Installieren der Smart Life App

Scannen Sie den QR-Code unten, um die Smartlife App aus dem App Store oder von Google Play herunterzuladen. Alternativ können Sie bei Google Play oder im App Store nach "Smart Life" suchen und nach diesem Symbol Ausschau halten.




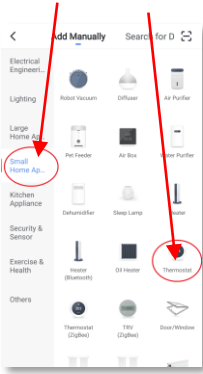
DEUTSCH

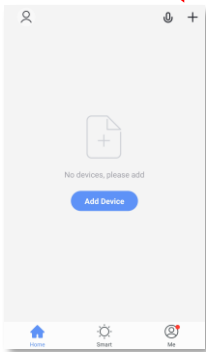
Nachdem Sie die Smart Life App installiert und geöffnet haben, müssen Sie ein Konto mit einer E-Mail-Adresse und einem Kennwort registrieren und die Nutzungsbedingungen akzeptieren.

Zum Koppeln schalten Sie Ihr Spiegel ein (oder schalten Sie es aus und dann wieder ein, um die WLAN-Erkennung zu starten). Die WiFi-Anzeige auf dem Kontrollbildschirm sollte schnell blinken.

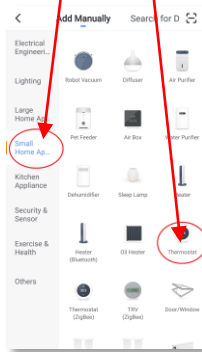
Rufen Sie den Startbildschirm der Smart Life App auf.

Tippen Sie oben rechts in der App auf '+'.


Wählen Sie "Kleine Haushaltsgeräte" und dann "Wifi-Thermostate".




Wenn Sie ein Thermostat hinzufügen, werden Sie aufgefordert, Ihr Wifi-Passwort einzugeben, um das Thermostat mit dem Netzwerk zu verbinden.



Bestätigen Sie in der Smart Life App, dass die WLAN-Anzeige schnell blinkt und der Kopplungsprozess beginnt. Bitte lassen Sie den Prozess in der App bis zu 100% ablaufen.

Der Kopplungsprozess ist bei einer 2,4-GHz-Verbindung sehr zuverlässig. Sollte der Prozess fehlschlagen, vergewissern Sie sich bitte, dass Sie eine 2,4-GHz-Verbindung haben und versuchen Sie den Kopplungsprozess erneut.

Alternativer Kopplungsmodus

Wenn die Kopplung wiederholt fehlschlägt und die App den "alternativen Kopplungsmodus" (AP-Modus) vorschlägt, können Sie den Kopplungsmodus ändern (Wifi-Symbol blinkt langsam). Klicken Sie bei eingeschaltetem Heizgerät 3 Sekunden lang auf die Taste +, bis der touch screen in der Temperaturanzeige "OFF" anzeigt. Dann klicken Sie 5 Sekunden lang auf die Timer-Taste und das Wifi-Symbol blinkt langsam. Starten Sie das Pairing in der App erneut und bestätigen Sie, dass das Wifi-Symbol langsam blinkt. Sie können den obigen Vorgang auch wiederholen, um zurück in den EZ-Pairing-Modus zu wechseln (Wifi-Symbol blinkt schnell).

Wifi deaktivieren

Das WLAN kann vollständig deaktiviert werden, indem Sie 3 Sekunden lang auf die Taste + klicken, bis auf dem touch screen in der Temperaturanzeige "OFF" angezeigt wird. Halten Sie dann die Taste - 10 Sekunden lang gedrückt, um das WLAN zu deaktivieren. Klicken und halten Sie die - Taste für 10 Sekunden, um das WLAN wieder zu aktivieren.

Zusätzliche Funktionen in der App

In der App verfügbare Einstellungen sind auf der touch screen-Steuerung nicht verfügbar.

- Smart Mode - ermöglicht es Ihnen, Ihr Heizgerät nach einem täglichen Zeitplan einzurichten und zu betreiben.
- Fernsteuerung des Heizgerätes über das Internet, egal wo Sie sich befinden.
- Deaktivieren Sie die akustischen "Pieptöne", die gelegentlich von der Steuereinheit des Heizgeräts ausgegeben werden können.

Reinigung und Wartung



Allgemein

Bitte beachten Sie, dass es möglich ist, dass sich das Heizgerät im Laufe des Gebrauchs verfärbt - dies wird durch Luftverschmutzung verursacht und stellt keinen Fehler dar.

Das Heizgerät ist für eine lange Lebensdauer ausgelegt und verfügt über mehrere Sicherheitsmerkmale. Wenn das Heizgerät jedoch nicht gemäß dieser Anleitung verwendet oder installiert wurde, Geräusche oder Gerüche von sich gibt, eine schnelle Verfärbung der Oberfläche oder außergewöhnlich hohe Temperaturen aufweist, stellen Sie die Verwendung des Heizgeräts ein und wenden Sie sich an den Herschel-Kundendienst oder Ihren Herschel-Händler vor Ort.



Reinigung

Bevor Sie versuchen, das Heizgerät zu reinigen, ziehen Sie den Stecker, trennen Sie das Gerät von der Stromversorgung und lassen Sie es vollständig abkühlen.

Tauchen Sie das Heizgerät NICHT in Wasser ein und spritzen Sie kein Wasser darauf.

Reinigen Sie das Heizgerät mit einem feuchten Tuch. Verwenden Sie niemals ein nasses Tuch. Trocknen Sie die Oberflächen nach der Reinigung mit einem trockenen Tuch ab.

Verwenden Sie KEINE Scheuermittel, Lösungsmittel oder Reinigungstücher für die Oberfläche, da dies zu irreparablen Schäden führen kann. Warten Sie, bis das Gerät vollständig trocken ist, bevor Sie es benutzen.



Reparatur

Versuchen Sie NICHT, elektrische oder mechanische Funktionen dieses Geräts zu reparieren oder einzustellen, da dies zum Erlöschen der Garantie führt. Reparaturen dürfen nur von Herschel oder einem autorisierten Herschel-Servicepartner durchgeführt werden.



Entsorgung

Das Heizgerät ist ein elektrisches Produkt und darf nicht über den Hausmüll entsorgt werden. Ein hoher Prozentsatz des Heizgerätes kann recycelt werden. Bitte behandeln Sie ihn als Elektroschrott und recyceln Sie ihn gemäß den örtlichen Vorschriften.



BELANGRIJKE VEILIGHEIDSMATREGELEN

Als u deze instructies niet opvolgt, vervalt de garantie. Haal het apparaat niet uit elkaar. Er zijn geen onderdelen die door de gebruiker gerepareerd kunnen worden onderdelen in het apparaat die door de gebruiker gerepareerd kunnen worden.

WAARSCHUWING

OM HET RISICO OP BRAND, ELEKTRISCHE SCHOKKEN OF LETSEL TE VERMINDEREN LETSEL



Dit apparaat moet worden losgekoppeld van de stroombron tijdens installatie, onderhoud en vervanging. De heater is uitgerust met een ingebouwde thermostaat en een toetsenbord voor handmatige temperatuurregeling en kan ook op afstand worden bediend via een smartphone. Wees voorzichtig bij het bedienen van de heater op afstand als er kamers worden bewoond door personen die de kamer niet zelfstandig kunnen verlaten, tenzij er constant toezicht is gegarandeerd. Zorg ervoor dat de veiligheidsmaatregelen vermeld in deze instructies ook worden nageleefd wanneer de heater op afstand wordt bediend. Vertaald met DeepL.com (gratis versie)

Het apparaat is uitgerust met interne veiligheidssensoren met thermische beveiliging. Om oververhitting en brandgevaar te voorkomen, mag u de verwarming in geen geval afdekken. Plaats de verwarming NIET dichters dan 0,4 m bij brandbare materialen (meubels, gordijnen, enz.).

Raak het verwarmingselement NIET aan wanneer het in werking is. De oppervlaktetemperatuur van het apparaat is ongeveer 95 °C / 248 °F (afhankelijk van de ingangsspanning) en langdurig contact met het apparaat kan leiden tot brandwonden en letsel.

Gebruik het apparaat NIET als het snoer of de stekker beschadigd is, als het apparaat niet goed werkt, als het gevallen is of op een andere manier beschadigd is. Controleer elk apparaat op beschadigingen voordat u het opstelt. Controleer of het apparaat zelf, de stekker en het snoer geen zichtbare tekenen van schade vertonen. Als de kabel beschadigd is, moet het apparaat ter reparatie naar een erkende Herschel-dealer worden gestuurd.

Dit apparaat mag alleen worden gebruikt om personen of gebouwen te verwarmen. Het apparaat mag niet worden gebruikt door kinderen of personen met verminderde lichamelijke, zintuiglijke of geestelijke vermogens of met gebrek aan ervaring of kennis. Kinderen moeten uit de buurt worden gehouden en mogen niet zonder toezicht in de buurt van het apparaat worden achtergelaten. Gebruik het apparaat NIET buitenshuis.

Alle bedieners mogen het apparaat alleen in- of uitschakelen als het in overeenstemming met deze instructies is opgesteld of geïnstalleerd op de plaats waarvoor het bestemd is. Kinderen mogen het apparaat niet aansluiten, inschakelen of afstellen en geen onderhoudswerkzaamheden uitvoeren, inclusief schoonmaken.

Herschel verwarmers zijn ontworpen voor een wisselspanning tussen 220 en 240 volt, 50 Hz AC. Als uw netspanning hoger is dan 240 volt, gebruik de heater dan niet en neem contact op met uw lokale dealer. Bij het niet opvolgen van deze instructies vervalt de garantie.

Het apparaat is alleen bedoeld voor wandmontage en moet worden geïnstalleerd op een niet-brandbare ondergrond.

BESCHERMING TEGEN BINNENDRINGEND WATER IP44

De Herschel spiegel met verlichting voldoet aan de norm (minstens IP44) zodat hij geïnstalleerd kan worden in zone 2 van een badkamer. Ze kunnen niet geïnstalleerd worden in zone 0 of 1. Ze mogen niet worden gebruikt om kleren of handdoeken te drogen.

Installatie in potentieel vochtige of natte ruimtes, zoals badkamers, moet worden uitgevoerd door een gekwalificeerde installateur en moet voldoen aan de plaatselijke elektrische veiligheidsvoorschriften en moet zodanig worden uitgevoerd dat het verwarmingselement niet in een bad, douche, zwembad of ander waterreservoir kan vallen en dat de schakelaars en andere bedieningselementen niet kunnen worden aangeraakt door een persoon die in het bad of de douche staat.

In geval van twijfel niet installeren. Herschel Infrared Ltd. is niet aansprakelijk voor verlies, schade of letsel veroorzaakt door of als gevolg van onjuiste installatie of plaatsing van verwarmers in de buurt van waterbronnen.

⚠ WAARSCHUWING**NEDERLANDS**

Dit apparaat moet worden aangesloten volgens de huidige nationale elektrische veiligheidsnormen. Dit is een klasse 1-apparaat en moet worden geaard.

In openbare gebouwen moet de installatie voldoen aan de huidige plaatselijke elektrische normen. In sommige openbare gebouwen, zoals scholen en bejaardentehuizen, moeten verwarmers worden geïnstalleerd in overeenstemming met de wetgeving die specifiek is voor dit soort gebouwen.

De elektrische voeding van elk verwarmingsapparaat moet worden verzorgd door een circuit dat is beveiligd met een zekering, aardlekschakelaar of aardlekschakelaar die geschikt is voor het nominale vermogen van het verwarmingsapparaat.

Kleurcode van het meegeleverde netsnoer: De BRUINE draad moet worden aangesloten op het contact LANGZAAM ("L"), de BLAUWE draad op het contact NEUTRAAL ("N") en de GROENE/GELE draad op het contact AARDE ("E").

⚠ ATTENTIE

Het apparaat is ontworpen om aangesloten te worden op een vaste elektrische voeding en wordt niet geleverd met een stekker. Alle bedrading buiten het verwarmingsapparaat die in contact komt met het verwarmingsapparaat of zich in de buurt ervan bevindt, moet worden beschermd door een mantel met een temperatuur van minstens 90 °C.

Alle kabels achter de heater moeten uit de buurt van de heater worden gehouden en mogen geen struikelgevaar vormen.

Rol de voedingskabel NIET op.

Knoop of bind overtollige kabel NIET vast aan het handvat aan de achterkant van de verwarmers.

Plaats de verwarming NIET direct onder een stopcontact.

Prik GEEN gaatjes in de verwarming, want dat zou onherstelbare schade veroorzaken en bovendien gevaarlijk zijn.

Sluit een verwarming die beschadigd is NIET aan op het lichtnet.

5 jaar garantie

Registreer uw product hier <https://www.herschel-infrarood.nl/klantenservice/garantie-registratie/>.

Binnen vijf jaar na aankoopdatum zal Herschel de heater repareren of vervangen als het defect te wijten is aan materiaal- of fabricagefouten. Deze garantie geldt alleen voor standaard huishoudelijk gebruik en sluit commercieel gebruik uit. In het geval van een garantieclaim, ga dan naar de Customer Service sectie van de Herschel website en volg de garantieclaim procedure. Je hebt een aankoopbewijs en foto's van het verwarmingselement nodig.

Voorwaarde voor de geldigheid van de garantie is dat het apparaat wordt gebruikt met de gespecificeerde voedingsspanning en wordt gebruikt in overeenstemming met de voorwaarden die in deze handleiding zijn gespecificeerd. Elke andere garantie of aanspraak is uitgesloten.

De garantie dekt alleen reparatie of vervanging van het defecte product en Herschel is niet verantwoordelijk voor installatiekosten of gevolgschade van welke aard dan ook. De beslissing om het product te repareren of vervangen ligt uitsluitend bij Herschel en elke vervanging zal de specificatie van het defecte apparaat zo dicht mogelijk benaderen.

Bij verwijdering van het serienummer vervalt de garantie. De garantie vervalt ook als het apparaat op enigerlei wijze is behandeld of geopend.

Het voedingslabel van het product moet op het apparaat blijven zitten zodat het, indien nodig, na de installatie kan worden geraadpleegd.

Herschel Infrared Ltd aanvaardt geen verantwoordelijkheid voor krassen op het oppervlak na het eerste gebruik.

Afwijzing van aansprakelijkheid

Herschel Infrared Ltd kan niet aansprakelijk worden gesteld voor schade, verlies of letsel veroorzaakt door het binnendringen van water of vocht, schade door ongelukken, verkeerd gebruik, externe impact, aanpassing door onbevoegd personeel of het niet in acht nemen van de onderhouds- en veiligheidsvoorschriften zoals beschreven in de handleiding. Raadpleeg het garantiebeleid van Herschel Infrared Ltd voor meer informatie. Zie <https://www.herschel-infrarood.nl/>.

Ecodesign-naleving

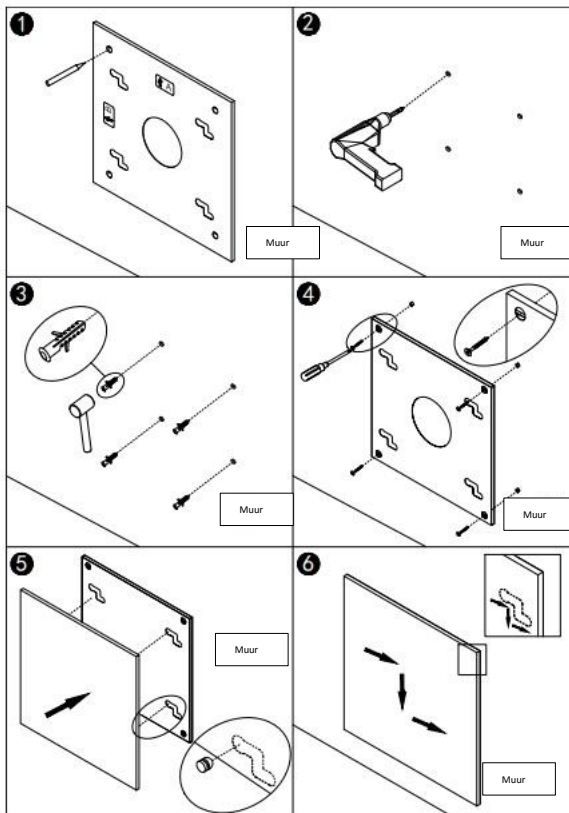
De spiegel met verlichting voldoet aan de codesignrichtlijn 2009/125/EG (batch 20).

Plaats

De kachel is ontworpen om permanent aan een stevige muur te worden bevestigd. Bij montage op andere soorten muren (bijv. gipsplaat) heeft u geschikte bevestigingen nodig (niet meegeleverd). De kachel moet 200 mm boven, onder en aan de zijkanen uit de buurt van andere voorwerpen zijn.

Vorbereiding – Belangrijke mededeling

Wanneer de EasyFix-beugel op het paneel wordt gemonteerd, wordt deze door de vergrendelingsbeweging vanuit het midden verschoven. Om ervoor te zorgen dat uw paneel precies past waar u het op de muur wilt hebben, is het belangrijk dat u voor de installatie de beugel op het paneel in de vergrendelde positie plaatst en de afstand van de montagegaten op de beugel tot de randen van het paneel meet voordat u ze markeert, controleert en boort op de muur om rekening te houden met deze offset.



Stap 1

Gebruik een waterpas om ervoor te zorgen dat de beugel waterpas staat en markeer de positie voor het boren van elk van de kleine gaten in de vier hoeken van de montagebeugel (Figuur 1).

Stap 2

Boor de gaten met een boor van 8 mm (Afbeelding 2). Plaats de meegeleverde pluggen (Afbeelding 3). Bij montage op een spouwmuur heb je geschikte bevestigingen nodig (niet meegeleverd).

Stap 3

Schroef de montagebeugel aan de muur met de meegeleverde schroeven (Afbeelding 4).

Stap 4

Bevestig het paneel aan de muur door de vier bevestigingsmiddelen aan de achterkant van het paneel in de brede openingen van de montagebeugel te steken. Na montage moet het paneel naar rechts worden bewogen, dan naar beneden en weer terug naar rechts tot de veilige positie (staande montage) of naar beneden, dan naar links en weer terug naar beneden (liggende montage) (Fig. 5 en 6).

Stap 5

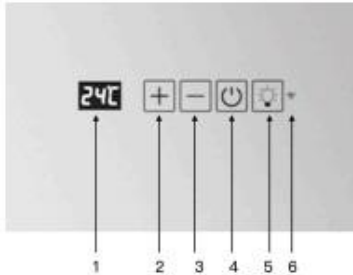
Schroef de vier afstandsrings (in elke hoek) aan de achterkant van het radiatorpaneel los zodat het paneel stevig in de muurbeugel zit en niet kan worden verplaatst. Zorg ervoor dat de voedingskabel achter het paneel niet wordt geblokkeerd.

Administratie

Herschel Easy-fix is zo ontworpen dat het paneel niet per ongeluk verwijderd kan worden of dat er niet mee geknoeid kan worden. Om het paneel te verwijderen, schroef je gewoon de vier afstandhouders weer op hun plaats en beweeg je het paneel naar links, dan omhoog en weer naar links.

Operatie

De verwarming heeft een ingebouwd touchscreen, wat betekent dat er geen extra thermostaat nodig is om de verwarming te bedienen. Je kunt je verwarming bedienen via het aanraakscherm of de Smart Life app op je smartphone. De verwarming en het licht kunnen zowel via het touchscreen als via de app worden bediend.



Functies van het aanraakscherm

1. Scherm
2. + Knop (verhogen)
3. - Knop (Verlagen)
4. Aan/uit-knop
5. Verlichte knop
6. Wifi-weergave

De verwarming kan worden bediend met een vaste ingestelde temperatuur via de touchscreenbediening. Daarnaast kan de verwarming, wanneer deze verbonden is met de Smart Life app, volledig worden geprogrammeerd om te werken volgens een ingesteld verwarmingsschema en geïntegreerd om samen te werken met je andere Herschel verwarmers en smart home apparaten. Als het wifi-sigitaal wegvalt, blijft de verwarming werken op de huidige ingestelde temperatuur, maar schakelt niet over naar de volgende programma-instelling in de app totdat de wifi-verbinding is hersteld.

AAN/UIT

Klik op de aan/uit-knop (4) om de verwarming in te schakelen. De huidige temperatuur (1) wordt weergegeven. Gebruik de toetsen + en - (2 & 3) om de gewenste kamertemperatuur in te stellen. De huidige temperatuur wordt vervangen door de gewenste temperatuur terwijl je dit getal instelt. De gewenste temperatuur knippert twee seconden na je laatste invoer en keert dan terug naar de weergave van de huidige temperatuur.

TIMER

Met een timerfunctie kun je een vaste werkingsduur instellen (van 1 tot 24 uur). Als de timer is ingesteld, loopt de verwarming op tot de ingestelde temperatuur, maar schakelt uit zodra de timer nul bereikt. Om de timer in te stellen, houdt u de knop '-' (3) 3 seconden ingedrukt. '00H' wordt weergegeven op het scherm. Klik op de knoppen + en - om het aantal bedrijfsuren te verhogen of te verlagen (01 = 1 uur, 12 = 12 uur, enz.).

LICHT

Druk op de lichtknop (5) om de verlichting in of uit te schakelen. Houd je vinger op de lichtknop om de dimfunctie te activeren. (Het licht schakelt naar minimum en maximum met een "piep" wanneer het een van de twee limieten bereikt).

De kleurwarmte kan worden ingesteld door gelijktijdig op de knoppen 'Light' (5) en '-' (3) te drukken totdat 'C1' op het scherm verschijnt (1). (3) te drukken totdat 'C1' op het scherm verschijnt (1). Stel in tussen C1 (6000K), C2 (4000K) of C3 (3000K). Meer kleuropties zijn beschikbaar in de toepassing.

ANTI-FOG

De verwarmer heeft een anticondensstand om het oppervlak vrij te houden als het apparaat niet verwarmt. Om dit te activeren houdt u de aan/uit-knop (4) ingedrukt totdat "AF" op het scherm (1) verschijnt. De anticondensstand is 20 minuten actief en schakelt daarna de verwarming uit. Om de anticondensstand te annuleren, houdt u de aan/uit-knop ingedrukt totdat "OFF" op het scherm (1) verschijnt. Het verwarmingselement kan dan naar wens opnieuw worden opgestart.

Extra functies

Kinderslot. Om de touchscreenbediening te vergrendelen en te voorkomen dat de instellingen per ongeluk worden gewijzigd, drukt u tegelijkertijd 3 seconden op + en -. "CL" verschijnt op het temperatuurdisplay. Om de kindervergrendeling op te heffen, drukt u nogmaals 3 seconden op + en - en de verwarming keert terug naar de normale touchscreenbediening. Het kinderslot kan ook worden ingesteld in de app.

Detectie open raam (alleen beschikbaar in de app). De verwarming heeft de functie "Detectie open raam" als deze is gekoppeld met de Smart Life app. De functie is standaard uitgeschakeld, maar kan worden geactiveerd in de app-instellingen. Als deze functie is geactiveerd, wordt "OP" weergegeven op het scherm bij een drastische temperatuurdaling binnen een korte periode en wordt de verwarming gedurende 30 minuten uitgeschakeld om energieverpilling te voorkomen. Na 30 minuten wordt de verwarming weer ingeschakeld met de vorige instellingen.

Kalibratie. De verwarmers kan gekalibreerd worden zodat hij dezelfde waarden weergeeft als andere thermostaten in een kamer. Houd om de kalibratie te starten de "+" knop (2) 5 seconden ingedrukt, waarna "0°C" op het temperatuurdisplay verschijnt. Gebruik de + of - knoppen om de kalibratie te verhogen (+5C) of te verlagen (-5C). Verlaag de kalibratie als de verwarming de temperatuur te hoog weergeeft in vergelijking met een andere thermostaat. Verhoog de kalibratie als de verwarming de temperatuur te laag weergeeft in vergelijking met een andere thermostaat. De kalibratie kan ook worden ingesteld in de app.

Bediening - met de SmartLife app

De luchtverhitter kan direct worden gekoppeld met de Smart Life app via de Wi-Fi van je huis en kan dan zowel via je telefoon als handmatig via het touchscreen worden bediend. Met Smart Life kun je de temperatuur op afstand instellen, de verwarming in- en uitschakelen of de verwarming volgens een schema laten werken.

Zorg ervoor dat je de koppelingsinstructies zorgvuldig volgt. Online hulp is ook beschikbaar via de Help & Support sectie op je lokale Herschel website.

De verwarming koppelen aan Smart Life

Voor alle koppelingsstappen moet je ervoor zorgen dat je mobiele telefoon en het verwarmingselement verbonden zijn met een 2,4 GHz draadloze verbinding. Koppelen lukt niet met een 5 GHz verbinding.

De Smart Life app downloaden en installeren

Scan de QR-code hieronder om de Smartlife-app te downloaden in de App Store of Google Play.

Je kunt ook zoeken naar "Smart Life" in Google Play of de App Store en zoeken naar dit symbool.

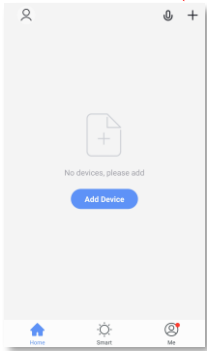


Nadat je de Smart Life App hebt geïnstalleerd en geopend, moet je een account registreren met een e-mailadres en wachtwoord en de gebruiksvoorwaarden accepteren.

Om te koppelen, zet je je spiegel AAN (of zet hem UIT en vervolgens weer AAN om de Wifi-ontdekking te starten). De wifi-indicator op het bedieningsscherm moet snel knipperen.

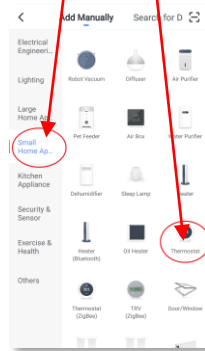
Ga naar het beginscherm van de Smart Life App.

Tik op '+' rechtsboven in de app



Als je een thermostaat toevoegt, wordt je gevraagd om je Wifi-wachtwoord in te voeren om de thermostaat aan dat netwerk te koppelen.

Selecteer "Kleine huishoudelijke apparaten" en dan "Wifi-thermostaten".



Bevestig in de Smart Life App dat het wifi-lampje snel knippert en het koppelproces zal beginnen. Laat het proces tot 100% doorlopen op de App.

Het koppelproces is zeer betrouwbaar op een 2,4GHz-verbinding. Als het koppelen mislukt, controleer dan of je een 2,4GHz-verbinding hebt en probeer het opnieuw.

Alternatieve koppelingsmodus

Als het koppelen herhaaldelijk mislukt en "Alternatieve koppelingsmodus" (AP-modus) wordt voorgesteld door de app, kun je de koppelingsmodus wijzigen (Wifi-symbool knippert langzaam). Terwijl de verwarming is ingeschakeld, klik je 3 seconden op de + knop totdat het touch screen "OFF" weergeeft in de temperatuurweergave. Klik vervolgens 5 seconden op de knop Timer en het wifi-symbool knippert langzaam. Start de koppeling opnieuw in de App en bevestig dat het wifi-symbool langzaam knippert. Je kunt het bovenstaande proces ook herhalen om terug te schakelen naar de EZ koppelingsmodus (wifi-symbool knippert snel).

Wifi uitschakelen

Je kunt wifi volledig deactiveren door 3 seconden op de + knop te drukken tot het touch screen "OFF" weergeeft in de temperatuurweergave. Klik vervolgens op de -knop en houd deze 10 seconden ingedrukt om wifi te deactiveren. Klik en houd de -knop 10 seconden ingedrukt om wifi weer te activeren.

Extra functies in de App

Instellingen beschikbaar in de App die niet beschikbaar zijn op de touch screenbediening.

- Smart Mode - hiermee kun je de verwarming instellen en laten werken volgens een dagelijks schema.
- Bediening van de verwarming op afstand via internet, waar je ook bent.
- Geluidsignalen uitschakelen die af en toe door de regeleenheid op de verwarming worden gegeven.

Reiniging en onderhoud



Algemeen

Let op: het is mogelijk dat het verwarmingselement tijdens het gebruik verkleurt - dit wordt veroorzaakt door vervuiling in de lucht en is geen fout.

De verw warmer is ontworpen om vele jaren mee te gaan en is voorzien van diverse veiligheidsvoorzieningen, maar als de verw warmer niet is gebruikt of geïnstalleerd volgens deze instructies, geluid maakt, stinkt, of snelle verkleuring van het oppervlak of uitzonderlijk hoge temperaturen vertoont, staak dan het gebruik van de verw warmer en neem contact op met de Herschel Klantenservice of uw lokale Herschel dealer.



Schoonmaken

Haal de stekker uit het stopcontact, ontkoppel de unit van het elektriciteitsnet en laat de heater volledig afkoelen voordat u deze probeert schoon te maken.

Dompel het verwarmingselement NIET onder in water en spat er GEEN water op.

Reinig de verw warmer met een vochtige doek. Gebruik nooit een natte doek. Droog de oppervlakken na het schoonmaken met een droge doek.

Gebruik GEEN schuurmiddelen, oplosmiddelen of oplosmiddeldoekjes op het oppervlak, want dit kan onherstelbare schade veroorzaken. Wacht tot het apparaat volledig droog is voor gebruik.



Reparatie

Probeer NIET zelf elektrische of mechanische functies van dit apparaat te repareren of aan te passen, anders vervalt de garantie. Reparaties mogen alleen worden uitgevoerd door Herschel of een geautoriseerde Herschel servicepartner.



Verwijdering

Het verwarmingselement is een elektrisch product en mag niet bij het huishoudelijk afval. Een hoog percentage van het verwarmingselement kan worden gerecycled. Behandel het als elektrisch afval en recycle het volgens de plaatselijke voorschriften.



IMPORTANTI PRECAUZIONI DI SICUREZZA

ITALIANO

La mancata osservanza di queste istruzioni invalida la garanzia. Non smontare l'apparecchio.
L'apparecchio non contiene parti riparabili dall'utente.



ATTENZIONE

PER RIDURRE IL RISCHIO DI INCENDIO, SCOSSE ELETTRICHE O LESIONI PERSONALI

Questo apparecchio deve essere scollegato dalla fonte di alimentazione durante i lavori di installazione o di manutenzione e quando viene sostituito.

Il riscaldatore è dotata di un termostato incorporato e di una tastiera per il controllo manuale della temperatura e può essere azionata anche a distanza tramite uno smartphone. È necessario prestare attenzione quando si utilizza il riscaldatore a distanza se le stanze possono essere occupate da persone che non sono in grado di lasciare la stanza da sole, a meno che non sia prevista una supervisione costante. Assicurarsi che vengano rispettate le misure di sicurezza indicate nel presente manuale, anche quando il riscaldatore viene utilizzata a distanza.

L'apparecchio è dotato di sensori interni di sicurezza a taglio termico. Tuttavia, per evitare il surriscaldamento e il rischio di incendio, **NON coprire il riscaldatore in nessun caso. NON collocare il riscaldatore a meno di 0,4 m da materiale infiammabile (mobili, tende, ecc.).**

NON toccare il riscaldatore quando è in funzione. La temperatura superficiale del riscaldatore è di circa 95°C (a seconda della tensione di ingresso) e il contatto prolungato con il riscaldatore può causare ustioni e lesioni.

NON mettere in funzione l'apparecchio se il cavo o la spina sono danneggiati, se l'apparecchio funziona male, è caduto o è stato danneggiato in qualsiasi modo. Verificare che ogni apparecchio sia integro prima di installarlo. Assicurarsi che l'apparecchio stesso, la spina e il cavo non presentino segni visibili di danneggiamento. Se il cavo è danneggiato, l'apparecchio deve essere inviato a un rivenditore autorizzato Herschel per la riparazione. Tradotto con DeepL.com (versione gratuita)

Questo apparecchio deve essere utilizzato esclusivamente per riscaldare persone o edifici. L'apparecchio non deve essere utilizzato da bambini o da persone con ridotte capacità fisiche, sensoriali o mentali, o che non hanno esperienza o conoscenza. I bambini devono essere tenuti lontani dall'apparecchio e non devono essere lasciati incustoditi nelle sue vicinanze. **NON utilizzare l'apparecchio all'aperto.** Tradotto con DeepL.com (versione gratuita)

Tutti gli operatori devono accendere e spegnere l'apparecchio solo se è stato collocato o installato nella posizione d'uso prevista, in conformità alle presenti istruzioni. I bambini non devono collegare, accendere o regolare l'apparecchio, né effettuare alcuna manutenzione, compresa la pulizia.

I riscaldatori Herschel sono progettati per essere utilizzati con una tensione CA compresa tra 220 e 240 volt, 50 Hz CA. Se la tensione di alimentazione è superiore a 240 volt, non utilizzare il riscaldatore e contattare il rivenditore locale. In caso contrario, la garanzia sarà invalidata.

L'apparecchio è progettato solo per il montaggio a parete e deve essere installato su una superficie non infiammabile.

PROTEZIONE CONTRO L'INGRESSO DELL'ACQUA IP44

Lo specchio Herschel con illuminazione è conforme alla norma (minimo IP44) e può essere installato nella zona 2 del bagno. Non possono essere installati nelle zone 0 o 1 e non devono essere utilizzati per asciugare vestiti o asciugamani.

L'installazione in ambienti potenzialmente umidi o bagnati, come i bagni, deve essere effettuata da un installatore qualificato e deve essere conforme ai requisiti di sicurezza elettrica locali. L'installazione deve essere effettuata in modo che il riscaldatore non possa cadere nella vasca da bagno, nella doccia, nella piscina o in un altro contenitore d'acqua e che gli interruttori e gli altri comandi non possano essere toccati da una persona nella vasca da bagno o nella doccia.

In caso di dubbio, non installare. Herschel Infrared Ltd non sarà responsabile di eventuali perdite, danni o lesioni causati o derivanti dall'installazione o dal posizionamento improprio dei riscaldatori in prossimità di fonti d'acqua.

AVVERTIMENTO

Questo apparecchio deve essere cablato in conformità alle norme nazionali di sicurezza elettrica vigenti. Si tratta di un apparecchio di Classe 1 e deve essere collegato a terra.

Nei luoghi pubblici, l'installazione deve essere conforme alle norme elettriche locali vigenti. In alcuni edifici pubblici, come scuole e case di riposo, i riscaldatori devono essere installati in conformità alla legislazione specifica per questi tipi di edifici.

L'alimentazione elettrica di ciascun riscaldatore deve essere fornita da un circuito protetto da un fusibile o da un interruttore differenziale (RCD) o da un interruttore differenziale (ELCB) adatto alla potenza elettrica del riscaldatore.

Codice colore del cavo di alimentazione in dotazione: il filo marrone deve essere collegato alla presa di corrente ("L"), il filo blu alla presa NEUTRO ("N") e il filo verde/giallo alla presa di terra ("E").

ITALIANO

ATTENZIONE

L'apparecchio è progettato per essere collegato a un'alimentazione elettrica fissa e non viene fornito con una spina. Tutti i cavi esterni al riscaldatore che entrano in contatto o si trovano nelle vicinanze del riscaldatore devono essere protetti da una guaina con una temperatura nominale di almeno 90° C.

Tutti i cavi dietro il riscaldatore devono essere tenuti lontani dalli riscaldatore e non devono costituire un pericolo di inciampo.

NON arrotolare il cavo di alimentazione.

NON legare o annodare il cavo in eccesso alla maniglia sul retro del riscaldatore.

NON posizionare il riscaldatore direttamente sotto una presa elettrica.

NON forare il riscaldatore per non causare danni irreparabili e per non essere pericolosi.

NON collegare alla rete elettrica un riscaldatore in qualche modo danneggiato.

Garanzia di 5 anni

Registrate il vostro prodotto su <https://www.herschel-infrarossi.it/assistenza-clienti/registrazione-della-garanzia/>.

Entro cinque anni dalla data di acquisto, Herschel riparerà o sostituirà il riscaldatore se il difetto è dovuto a materiali o manodopera difettosi. Questa garanzia si applica solo all'uso domestico standard ed esclude l'uso commerciale. In caso di richiesta di garanzia, accedere alla sezione Servizio Clienti del sito web di Herschel e seguire la procedura di richiesta di garanzia. È necessaria la prova d'acquisto e le fotografie del riscaldatore.

Il presupposto per la validità della garanzia è che l'apparecchio venga fatto funzionare con la tensione di alimentazione specificata e che venga utilizzato in conformità alle condizioni indicate nel presente manuale. Qualsiasi altra garanzia o reclamo è esclusa.

La garanzia copre esclusivamente la riparazione o la sostituzione del prodotto difettoso e Herschel non è responsabile dei costi di installazione o di perdite conseguenti di alcun tipo. La decisione di riparare o sostituire il prodotto spetta esclusivamente a Herschel e qualsiasi sostituzione sarà il più possibile conforme alle specifiche dell'unità difettosa.

La rimozione del numero di serie invalida la garanzia. La garanzia decade anche se l'apparecchio è stato maneggiato o aperto in qualsiasi modo.

L'etichetta di alimentazione del prodotto deve essere lasciata sull'apparecchio in modo da poterla consultare dopo l'installazione, se necessario.

Herschel Infrared Ltd non si assume alcuna responsabilità per i graffi sulla superficie dopo il primo utilizzo.

Esclusione di responsabilità

Herschel Infrared Ltd non può essere ritenuta responsabile per danni, perdite o lesioni causati dall'ingresso di acqua o umidità, da danni accidentali, da una manipolazione errata, da urti esterni, da regolazioni effettuate da personale non autorizzato o dalla mancata osservanza delle precauzioni di manutenzione e sicurezza descritte nel manuale. Per ulteriori informazioni, consultare la politica di garanzia di Herschel Infrared Ltd. Vedere

<https://www.herschel-infrarossi.it/>.

Conformità alla progettazione ecocompatibile

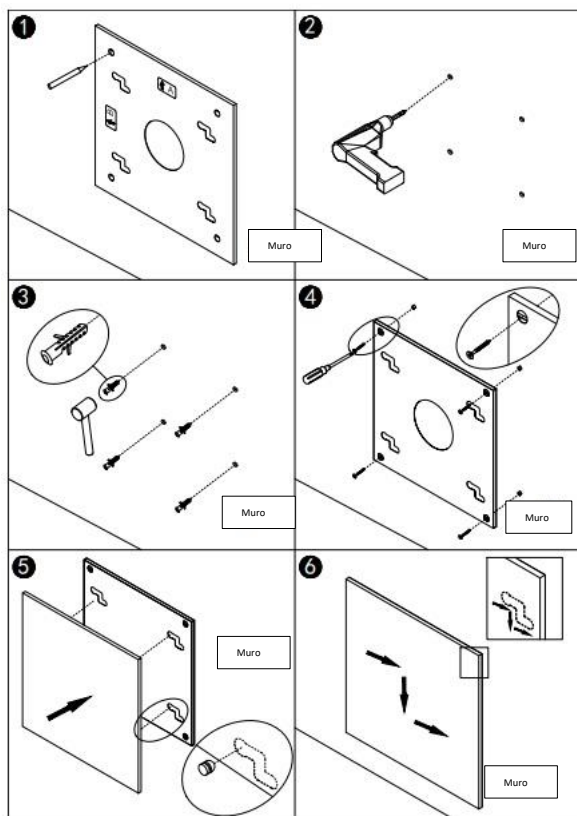
Lo specchio con luci è conforme alla direttiva ecodesign 2009/125/CE (lotto 20).

Impostazione

Il riscaldatore è progettato per essere fissato in modo permanente a una parete solida. Se montato su altri tipi di parete (es. cartongesso), saranno necessari fissaggi appropriati (non forniti). Il riscaldatore deve essere libero da altri oggetti 200 mm sopra, sotto e ai lati.

Preparazione – Avviso importante

Quando la staffa EasyFix è montata sul pannello, sarà spostata dal centro a causa del movimento di bloccaggio. Per garantire che il pannello si adatti esattamente dove si desidera sulla parete, è importante prima dell'installazione posizionare la staffa sul pannello in posizione bloccata e misurare la distanza dei fori di montaggio sulla staffa dai bordi del pannello prima di contrassegnarli, controllarli e forarli sulla parete per soddisfare questo offset.



Passo 1

Utilizzate una livella a bolla d'aria per assicurarvi che la staffa sia in piano e segnate la posizione per praticare ciascuno dei piccoli fori nei quattro angoli della staffa di montaggio (Figura 1).

Passo 2

Praticare i fori con una punta da 8 mm (Figura 2). Inserire i tappi in dotazione (Figura 3). Se si monta su una parete a intercapedine, è necessario disporre di fissaggi adeguati (non forniti).

Passo 3

Avvitare la staffa di montaggio alla parete con le viti in dotazione (Figura 4).

Passo 4

Fissare il pannello alla parete inserendo i quattro elementi di fissaggio sul retro del pannello nelle ampie aperture della staffa di montaggio. Dopo il montaggio, spostare il pannello verso destra, poi verso il basso e di nuovo verso destra fino alla posizione di sicurezza (montaggio verticale) o verso il basso, poi verso sinistra e di nuovo verso il basso (montaggio orizzontale) (Figure 5 e 6).

Stap 5

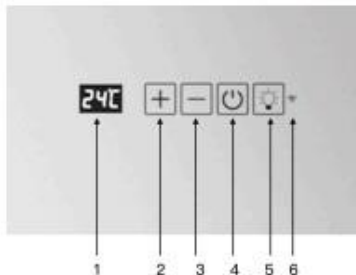
Svitare i quattro anelli distanziatori (in ogni angolo) sul retro del pannello del radiatore, in modo che il pannello sia ben saldo nella staffa a parete e non possa essere spostato. Assicurarsi che il cavo di alimentazione dietro il pannello non sia bloccato.

Amministrazione

Herschel Easy-fix è progettato in modo che il pannello non possa essere rimosso o manomesso accidentalmente. Per rimuovere il pannello, è sufficiente riavvitare i quattro distanziali e spostare il pannello verso sinistra, poi verso l'alto e di nuovo indietro.

Operazione

Il riscaldatore è dotato di un touchscreen incorporato, il che significa che non è necessario un termostato aggiuntivo per controllarlo. È possibile controllare il riscaldamento tramite il touchscreen o l'app Smart Life sullo smartphone. Il riscaldamento e la luce possono essere controllati sia tramite il touchscreen che tramite l'app.



Funzioni touch screen

1. Schermo
2. Pulsante + (aumento)
3. - Pulsante (inferiore)
4. Pulsante di accensione
5. Pulsante illuminato
6. Vista Wifi

Il riscaldatore può essere controllato con una temperatura impostata fissa tramite i comandi del touchscreen. Inoltre, se collegato all'app Smart Life, il riscaldatore può essere completamente programmato per funzionare in base a un programma di riscaldamento impostato e integrato per funzionare insieme agli altri riscaldatori Herschel e ai dispositivi domestici intelligenti. In caso di perdita del segnale Wi-Fi, il riscaldatore continuerà a funzionare alla temperatura attualmente impostata, ma non passerà all'impostazione del programma successivo nell'app fino al ripristino della connessione Wi-Fi.

ON/OFF

Fare clic sul pulsante on/off (4) per accendere il riscaldatore. Viene visualizzata la temperatura attuale (1). Utilizzare i pulsanti + e - (2 e 3) per impostare la temperatura ambiente desiderata. La temperatura attuale viene sostituita dalla temperatura desiderata man mano che la si imposta. La temperatura desiderata lampeggia per due secondi dopo l'ultima immissione, per poi tornare alla visualizzazione della temperatura attuale.

TIMER

La funzione timer consente di impostare un tempo di funzionamento fisso (da 1 a 24 ore). Quando il timer è impostato, il riscaldatore funziona fino alla temperatura impostata, ma si spegne quando il timer raggiunge lo zero. Per impostare il timer, tenere premuto il pulsante "-" (3) per 3 secondi. Sullo schermo viene visualizzato "00H". Fare clic sui pulsanti + e - per aumentare o diminuire il numero di ore di funzionamento (01 = 1 ora, 12 = 12 ore, ecc.).

LUCE

Premere il pulsante luminoso (5) per accendere o spegnere le luci. Tenere il dito sul pulsante della luce per attivare la funzione di regolazione della luminosità. (La luce passa al minimo e al massimo con un "bip" quando raggiunge uno dei due limiti).

Il colore del colore può essere impostato premendo contemporaneamente i pulsanti "Light" (5) e "-" (3) finché sul display (1) non compare "C1". (3) finché sul display (1) non compare "C1". Impostare tra C1 (6000K), C2 (4000K) o C3 (3000K). Altre opzioni di colore sono disponibili nell'applicazione.

ANTI-FOG

Il riscaldatore dispone di una modalità antiappannamento per mantenere la superficie pulita quando l'unità non è in funzione. Per attivarla, tenere premuto il pulsante di accensione/spegnimento (4) finché sul display (1) non appare "AF". La modalità anticondensa rimane attiva per 20 minuti e poi spegne il riscaldamento. Per annullare la modalità anticondensa, tenere premuto il pulsante di accensione/spegnimento finché sul display (1) non appare "OFF". Il riscaldatore può quindi essere riavviato come richiesto.

Funzioni aggiuntive

Blocco bambini. Per bloccare i comandi del touchscreen ed evitare modifiche accidentali alle impostazioni, premere contemporaneamente + e - per 3 secondi. Sul display della temperatura appare 'CL'. Per togliere il blocco bambini, premere nuovamente + e - per 3 secondi e il riscaldatore tornerà al normale funzionamento del touchscreen. Il blocco bambini può essere impostato anche nell'app.

Finestra di rilevamento aperto (disponibile solo nell'app). Il riscaldatore dispone della funzione "Finestra di rilevamento aperto" quando è abbinato all'app Smart Life. La funzione è disattivata per impostazione predefinita, ma può essere attivata nelle impostazioni dell'app. Quando questa funzione è attivata, quando si verifica un drastico calo della temperatura in un breve periodo, sullo schermo viene visualizzato "OP" e il riscaldatore viene spento per 30 minuti per evitare sprechi di energia. Dopo 30 minuti, il riscaldamento si riaccende con le impostazioni precedenti.

Calibrazione. Il riscaldatore può essere calibrato in modo da visualizzare gli stessi valori degli altri termostati presenti nella stanza. Per avviare la calibrazione, tenere premuto il pulsante "+" (2) per 5 secondi e sul display della temperatura apparirà "0°C". Utilizzare i pulsanti + o - per aumentare (+5C) o diminuire (-5C) la calibrazione. Ridurre la calibrazione se il riscaldatore visualizza una temperatura troppo alta rispetto a un altro termostato. Aumentare la calibrazione se il riscaldatore visualizza una temperatura troppo bassa rispetto a un altro termostato. La calibrazione può essere impostata anche nell'app.

Funzionamento - con l'app SmartLife

Il termoventilatore può essere associato direttamente all'app Smart Life tramite il Wi-Fi di casa e può essere controllato tramite il telefono o manualmente tramite il touchscreen. Con Smart Life è possibile impostare la temperatura a distanza, accendere e spegnere il termoventilatore o programmarlo.

Assicurarsi di seguire attentamente le istruzioni per l'accoppiamento. L'assistenza online è disponibile anche nella sezione Aiuto e assistenza del sito web Herschel locale.

Collegare il riscaldamento alla vita intelligente

Per tutte le fasi di accoppiamento, accertarsi che il telefono cellulare e il riscaldatore siano collegati con una connessione wireless a 2,4 GHz. L'accoppiamento non funziona con una connessione a 5 GHz.

Scaricare e installare l'applicazione Smart Life

Scansionate il codice QR qui sotto per scaricare l'applicazione Smartlife dall'App Store o da Google Play.

Potete anche cercare "Smart Life" su Google Play o App Store e cercare questo simbolo.



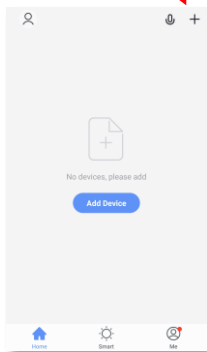
ITALIANO

Dopo aver installato e aperto l'App Smart Life, è necessario registrare un account utilizzando un indirizzo e-mail e una password e accettare le condizioni di utilizzo.

Per effettuare l'accoppiamento, accendere lo specchio (o spegnerlo e poi riaccenderlo per avviare la funzione Wifi Discovery). L'indicatore wifi sullo schermo di controllo dovrebbe lampeggiare rapidamente.

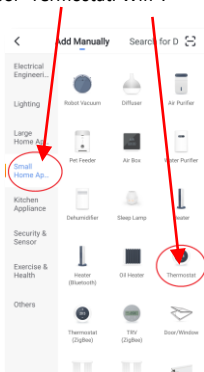
Andare alla schermata iniziale dell'app Smart Life.

Toccare "+" in alto a destra dell'applicazione



Quando si aggiunge un termostato, viene richiesto di inserire la password Wifi per associare il termostato alla rete.

Selezionare "Piccoli elettrodomestici" e poi "Termostati Wifi".



Confermare nell'App Smart Life che l'indicatore wifi lampeggia rapidamente e il processo di accoppiamento si avvia. Lasciare che il processo venga completato al 100% sull'app.

Il processo di accoppiamento è molto affidabile su una connessione a 2,4GHz. Se il processo non dovesse andare a buon fine, accertarsi di essere su una connessione a 2,4GHz e riprovare il processo di accoppiamento.

Modalità di accoppiamento alternativa

Se l'accoppiamento fallisce ripetutamente e l'app suggerisce una "modalità di accoppiamento alternativa" (modalità AP), è possibile cambiare la modalità di accoppiamento (il simbolo Wifi lampeggia lentamente). Con il riscaldatore acceso, fare clic sul pulsante + per 3 secondi finché il touch screen non visualizza "OFF" sul display della temperatura. Quindi fare clic sul pulsante Timer per 5 secondi e il simbolo wifi lampeggerà lentamente. Riavviare l'accoppiamento nell'App e confermare che il simbolo del wifi lampeggia lentamente. È possibile ripetere la procedura sopra descritta anche per tornare alla modalità di accoppiamento EZ (simbolo wifi che lampeggia rapidamente).

Disattivare il wifi

È possibile disattivare completamente il Wifi facendo clic sul pulsante + per 3 secondi finché il touch screen non visualizza "OFF" sul display della temperatura. Quindi fare clic e tenere premuto il pulsante - per 10 secondi per disattivare il wifi. Fare clic e tenere premuto il pulsante - per 10 secondi per riattivare il wifi.

Funzioni aggiuntive nell'App

Impostazioni disponibili nell'App non disponibili sul comando touch screen.

- Modalità Smart - consente di impostare e far funzionare il riscaldatore secondo un programma giornaliero.
- Funzionamento remoto del riscaldatore ovunque ci si trovi tramite Internet.
- Disattivare i "bip" acustici che possono essere emessi occasionalmente dall'unità di controllo del riscaldatore.

Pulizia e manutenzione



Generale

È possibile che il riscaldatore si scolorisca con l'uso: ciò è causato dall'inquinamento atmosferico e non è un difetto.

Il riscaldatore è progettato per durare molti anni e incorpora diverse caratteristiche di sicurezza, ma se il riscaldatore non è stato utilizzato o installato in conformità alle presenti istruzioni, emette rumori, odori o mostra un rapido scolorimento della superficie o temperature eccezionalmente elevate, interrompere l'uso del riscaldatore e rivolgersi al servizio clienti Herschel o al rivenditore Herschel locale.



Pulizia

Prima di procedere alla pulizia del riscaldatore, staccare la spina, isolare l'unità dall'alimentazione elettrica e lasciarla raffreddare completamente.

NON immergere il riscaldatore in acqua e non spruzzare acqua su di esso.

Pulire il riscaldatore con un panno umido. Non utilizzare mai un panno bagnato. Una volta pulito, asciugare le superfici con un panno asciutto.

NON applicare materiali abrasivi, solventi o panni solventi sulla superficie, perché potrebbero causare danni irreparabili. Attendere che l'unità sia completamente asciutta prima di utilizzarla.



Riparazioni

NON tentare di riparare o regolare le funzioni elettriche o meccaniche di questa unità, in quanto ciò comporta l'annullamento della garanzia. Le riparazioni devono essere effettuate esclusivamente da Herschel o da un centro di assistenza autorizzato Herschel.



Smaltimento

Il riscaldatore è un prodotto elettrico e non deve essere smaltito nei rifiuti domestici. Un'alta percentuale del riscaldatore può essere riciclata. Tratarlo come rifiuto elettrico e riciclarlo secondo le norme locali.



ESPAÑOL

PRECAUCIONES DE SEGURIDAD IMPORTANTES

El incumplimiento de estas instrucciones anulará la garantía.
No desmonte el aparato. El aparato no contiene piezas que el usuario pueda reparar.



ATENCIÓN

PARA REDUCIR EL RIESGO DE INCENDIO, DESCARGA ELÉCTRICA O LESIONES PERSONALES

Esta unidad debe desconectarse de la fuente de alimentación durante los trabajos de instalación o mantenimiento y cuando se sustituya.

El calentador tiene un termostato integrado y un teclado para el control manual de la temperatura, y también se puede manejar a distancia a través de un smartphone. Se debe tener cuidado al utilizar el calentador a distancia si las habitaciones pueden estar ocupadas por personas que no pueden dejar la habitación sola, a menos que se proporcione supervisión constante. Asegúrese de que se respetan las medidas de seguridad de este manual, incluso cuando el calentador se utilice a distancia.

El aparato está equipado con sensores internos de seguridad de corte térmico. No obstante, para evitar el sobrecalentamiento y el riesgo de incendio, NO cubra el calentador bajo ningún concepto. NO coloque el calentador a menos de 0,4 m de materiales inflamables (muebles, cortinas, etc.).

NO toque el calentador cuando esté en funcionamiento. La temperatura de la superficie del calentador es de aproximadamente 95°C (dependiendo del voltaje de entrada) y el contacto prolongado con el calentador puede causar quemaduras y lesiones.

NO utilice el aparato si el cable o el enchufe están dañados, si el aparato funciona mal, se ha caído o ha sufrido algún daño. Compruebe que el aparato no esté dañado antes de instalarlo. Asegúrese de que el aparato, el enchufe y el cable no presenten daños visibles. Si el cable está dañado, envíe el aparato a un distribuidor autorizado de Herschel para su reparación.

Este aparato sólo debe utilizarse para calentar personas o edificios. El aparato no debe ser utilizado por niños o personas con capacidades físicas, sensoriales o mentales reducidas, o con falta de experiencia o conocimientos. Mantenga a los niños alejados del aparato y no los deje solos en sus proximidades. NO utilice el aparato al aire libre.

Tutti gli operatori devono accendere e spegnere l'apparecchio solo se è stato collocato o installato nella posizione d'uso prevista, in conformità alle presenti istruzioni. I bambini non devono collegare, accendere o regolare l'apparecchio, né effettuare alcuna manutenzione, compresa la pulizia. Todos los operarios deben encender y apagar el aparato únicamente si se ha colocado o instalado en la posición de uso prevista, de acuerdo con estas instrucciones. Los niños no deben conectar, encender o ajustar el aparato, ni realizar ninguna operación de mantenimiento, incluida la limpieza.

Los calefactores Herschel están diseñados para utilizarse con una tensión alterna de entre 220 y 240 voltios, 50 Hz CA. Si la tensión de alimentación es superior a 240 voltios, no utilice el calefactor y póngase en contacto con su distribuidor local. De lo contrario, la garantía quedará invalidada.

El aparato está diseñado únicamente para montaje en pared y debe instalarse sobre una superficie no inflamable.

PROTECCIÓN CONTRA LA ENTRADA DE AGUA IP44

El espejo Herschel con iluminación cumple la norma (mínimo IP44) y puede instalarse en la zona 2 del cuarto de baño. No puede instalarse en las zonas 0 o 1 y no debe utilizarse para secar ropa o toallas.

La instalación en entornos potencialmente húmedos o mojados, como cuartos de baño, debe ser realizada por un instalador cualificado y debe cumplir los requisitos locales de seguridad eléctrica. La instalación debe realizarse de forma que el calefactor no pueda caer en la bañera, ducha, piscina u otro recipiente de agua y que los interruptores y otros controles no puedan ser tocados por una persona en la bañera o ducha.

En caso de duda, no lo instale. Herschel Infrared Ltd no será responsable de ninguna pérdida, daño o lesión causada o resultante de la instalación o colocación incorrecta de los calentadores cerca de fuentes de agua.

ADVERTENCIA

Este aparato debe cablearse de acuerdo con la normativa nacional vigente en materia de seguridad eléctrica. Es un aparato de Clase 1 y debe conectarse a tierra.

En lugares públicos, la instalación debe cumplir la normativa eléctrica local vigente. En algunos edificios públicos, como escuelas y residencias de ancianos, los calefactores deben instalarse de acuerdo con la legislación específica de este tipo de edificios.

La alimentación eléctrica de cada calefactor debe realizarse mediante un circuito protegido por un fusible (RCD) o un interruptor diferencial (ELCB) adecuado para la potencia eléctrica del calefactor.

Código de colores del cable de alimentación suministrado: el cable marrón debe conectarse a la toma de corriente ("L"), el azul a la toma NEUTRA ("N") y el verde/amarillo a la toma de tierra ("E").

ATENCIÓN

El aparato está diseñado para conectarse a una fuente de alimentación fija y no se suministra con enchufe. Todos los cables ajenos a la calefacción que estén en contacto o en las proximidades de la calefacción deben estar protegidos por un revestimiento con una temperatura nominal de al menos 90° C.

Todos los cables situados detrás de la calefacción deben mantenerse alejados de la calefacción y no deben constituir un peligro de tropiezo.

NO enrolle el cable de alimentación.

NO ate ni anude el cable sobrante al asa situada en la parte posterior del calefactor.

NO coloque el calefactor directamente debajo de una toma de corriente.

NO perfore el calefactor para evitar daños irreparables o peligros.

NO conecte a la red eléctrica un calefactor que esté dañado de algún modo.

Garanzia di 5 anni

Registre su producto en <https://www.herschel-infrarrojo.es/atencion-al-cliente/registro-de-garantia/>.

En un plazo de cinco años a partir de la fecha de compra, Herschel reparará o sustituirá el calentador si el defecto se debe a materiales o mano de obra defectuosos. Esta garantía se aplica únicamente al uso doméstico estándar y excluye el uso comercial. En caso de reclamación de garantía, diríjase a la sección de Atención al Cliente de la página web de Herschel y siga el procedimiento de reclamación de garantía. Se requiere una prueba de compra y fotografías del calentador.

El requisito previo para la validez de la garantía es que el aparato funcione con la tensión de alimentación especificada y que se utilice de acuerdo con las condiciones especificadas en este manual. Queda excluida cualquier otra garantía o reclamación.

La garantía sólo cubre la reparación o sustitución del producto defectuoso y Herschel no se hace responsable de los costes de instalación ni de pérdidas consecuentes de ningún tipo. La decisión de reparar o sustituir el producto corresponde exclusivamente a Herschel y cualquier sustitución se ajustará lo máximo posible a las especificaciones de la unidad defectuosa.

La eliminación del número de serie invalida la garantía. La garantía también queda anulada si el aparato ha sido manipulado o abierto de cualquier forma.

La etiqueta de suministro del producto debe dejarse en el aparato para poder consultarla después de la instalación en caso necesario.

Herschel Infrared Ltd no acepta ninguna responsabilidad por arañazos en la superficie después del primer uso.

Exclusión de responsabilidad

Herschel Infrared Ltd no se hace responsable de los daños, pérdidas o lesiones causados por la entrada de agua o humedad, daños accidentales, manejo incorrecto, golpes externos, ajustes realizados por personal no autorizado o incumplimiento de las precauciones de mantenimiento y seguridad descritas en el manual. Para más información, consulte la política de garantía de Herschel Infrared Ltd. Consulte <https://www.herschel-infrarrojo.es/>.

Cumplimiento del diseño ecológico

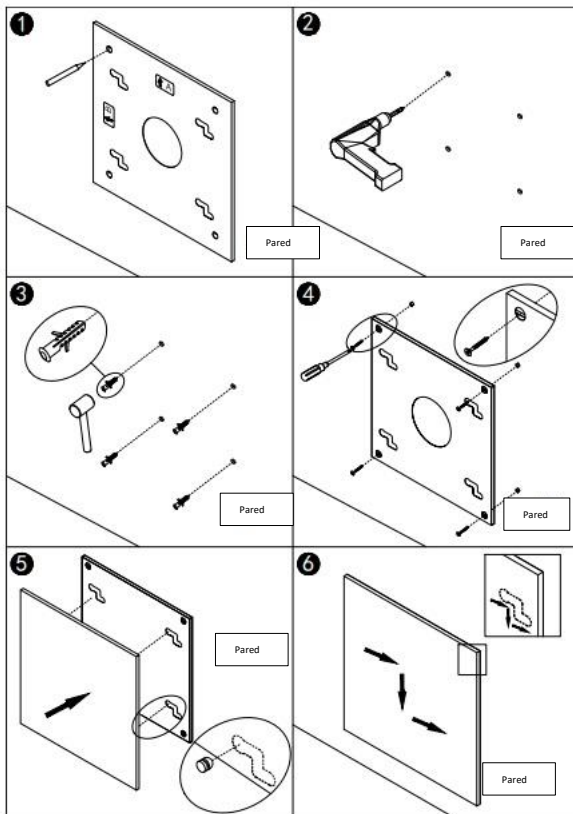
El espejo con luces cumple la directiva de diseño ecológico 2009/125/CE (lote 20).

Configuración

El calentador está diseñado para fijarse permanentemente a una pared sólida. Si se monta en otro tipo de pared (por ejemplo, placas de yeso), necesitará fijaciones adecuadas (no incluidas). El calentador debe estar alejado de otros objetos 200 mm por encima, por debajo y a los lados.

Preparación – Aviso importante

Cuando el soporte EasyFix se instala en el panel, se desplazará del centro debido al movimiento de bloqueo. Para asegurarse de que su panel encaje exactamente donde lo desea en la pared, es importante que antes de instalar coloque el soporte en el panel en su posición bloqueada y mida la distancia de los orificios de montaje en el soporte a los bordes del panel antes de marcarlos, verificarlos y perforarlos en la pared para atender a este desplazamiento.



Paso 1

Utilice un nivel de burbuja para asegurarse de que el soporte está nivelado y marque la posición para taladrar cada uno de los pequeños orificios en las cuatro esquinas del soporte de montaje (figura 1).

Paso 2

Taladre los orificios con una broca de 8 mm (figura 2). Inserte los tapones suministrados (figura 3). Si se monta en una pared hueca, se requieren fijaciones adecuadas (no suministradas).

Paso 3

Atornille el soporte de montaje a la pared con los tornillos suministrados (figura 4).

Paso 4

Fije el panel a la pared insertando las cuatro fijaciones de la parte posterior del panel en las grandes aberturas del soporte de montaje. Una vez montado, mueva el panel hacia la derecha, luego hacia abajo y de nuevo hacia la derecha hasta la posición segura (montaje vertical) o hacia abajo, luego hacia la izquierda y de nuevo hacia abajo (montaje horizontal) (Figuras 5 y 6).

Paso 5

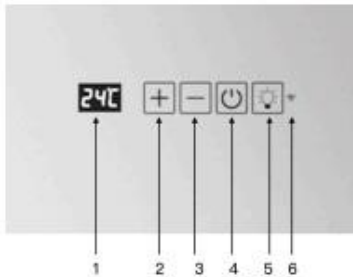
Desenrosque los cuatro anillos distanciadores (en cada esquina) de la parte posterior del panel del radiador, de modo que el panel quede firmemente sujeto en el soporte mural y no pueda moverse. Asegúrese de que el cable de alimentación situado detrás del panel no esté bloqueado.

Administración

Herschel Easy-fix está diseñado para que el panel no pueda retirarse ni manipularse accidentalmente. Para retirar el panel, basta con volver a atornillar los cuatro espaciadores y mover el panel hacia la izquierda, luego hacia arriba y de nuevo hacia atrás.

Operación

El calefactor tiene una pantalla táctil integrada, lo que significa que no se necesita un termostato adicional para controlarlo. Puedes controlar el calentador a través de la pantalla táctil o de la aplicación Smart Life de tu smartphone. La calefacción y la luz pueden controlarse mediante la pantalla táctil o la aplicación.



Funciones de pantalla táctil

1. Pantalla
2. Botón + (aumentar)
3. - Botón (abajar)
4. Botón de encendido
5. Botón Luminoso
6. Vista Wifi

El calefactor puede controlarse con una temperatura fija mediante los controles de la pantalla táctil. Además, cuando se conecta a la aplicación Smart Life, el calefactor puede programarse completamente para funcionar con un programa de calefacción establecido e integrarse para funcionar junto con otros calefactores Herschel y dispositivos domésticos inteligentes. Si se pierde la señal Wi-Fi, el calefactor seguirá funcionando a la temperatura ajustada en ese momento, pero no cambiará al siguiente ajuste del programa en la aplicación hasta que se restablezca la conexión Wi-Fi.

ON/OFF

Pulse el botón de encendido/apagado (4) para encender el calefactor. Se muestra la temperatura actual (1). Utilice los botones + y - (2 y 3) para ajustar la temperatura ambiente deseada. La temperatura actual se sustituye por la temperatura deseada a medida que la ajusta. La temperatura deseada parpadea durante dos segundos después de la última entrada y, a continuación, vuelve a la visualización de la temperatura actual.

TEMPORIZADOR

La función de temporizador permite establecer un tiempo de funcionamiento fijo (de 1 a 24 horas). Cuando el temporizador está activado, el calentador funciona hasta alcanzar la temperatura fijada, pero se apaga cuando el temporizador llega a cero. Para ajustar el temporizador, mantenga pulsado el botón "-" (3) durante 3 segundos. En la pantalla aparece "00H". Pulse los botones + y - para aumentar o disminuir el número de horas de funcionamiento (01 = 1 hora, 12 = 12 horas, etc.).

LUZ

Pulse el botón de luz (5) para encender o apagar las luces. Mantenga el dedo en el botón de luz para activar la función de atenuación. (La luz pasa al mínimo y al máximo con un "bip" cuando alcanza cualquiera de los dos límites).

La calidez del color puede ajustarse pulsando simultáneamente los botones "Light" (5) y "-" (3) hasta que aparezca "C1" en la pantalla (1). (3) hasta que aparezca "C1" en la pantalla (1). Ajuste entre C1 (6000K), C2 (4000K) o C3 (3000K). Existen otras opciones de color disponibles en la aplicación.

ANTI-NIEBLA

El calefactor dispone de un modo antivaho para mantener limpia la superficie cuando la unidad no está en funcionamiento. Para activarlo, mantenga pulsado el botón de encendido/apagado (4) hasta que aparezca 'AF' en la pantalla (1). El modo anticondensación permanece activo durante 20 minutos y, a continuación, desconecta la calefacción. Para cancelar el modo anticondensación, mantenga pulsado el botón de encendido/apagado hasta que aparezca 'OFF' en la pantalla (1). A continuación, puede volver a poner en marcha la calefacción.

Funciones adicionales

Bloqueo infantil. Para bloquear los controles de la pantalla táctil y evitar cambios accidentales en los ajustes, pulse + y - simultáneamente durante 3 segundos. La pantalla de temperatura mostrará 'CL'. Para liberar el bloqueo para niños, vuelve a pulsar + y - durante 3 segundos y el calentador volverá al funcionamiento normal de la pantalla táctil. El bloqueo infantil también se puede configurar en la aplicación.

Finestra di rilevamento aperto (disponibile solo nell'app). Il riscaldatore dispone della funzione "Finestra di rilevamento aperto" quando è abbinato all'app Smart Life. La funzione è disattivata per impostazione predefinita, ma può essere attivata nelle impostazioni dell'app. Quando questa funzione è attivata, quando si verifica un drastico calo della temperatura in un breve periodo, sullo schermo viene visualizzato "OP" e il riscaldatore viene spento per 30 minuti per evitare sprechi di energia. Dopo 30 minuti, il riscaldamento si riaccende con le impostazioni precedenti.

Calibración. el calentador puede calibrarse para que muestre los mismos valores que los demás termostatos de la habitación. Para iniciar la calibración, mantenga pulsado el botón '+' (2) durante 5 segundos y aparecerá 'OC' en la pantalla de temperatura. Utilice los botones + o - para aumentar (+5C) o disminuir (-5C) la calibración. Disminuya la calibración si el calentador muestra una temperatura demasiado alta en comparación con otro termostato. Aumente la calibración si el calentador muestra una temperatura demasiado baja en comparación con otro termostato. La calibración también se puede ajustar en la aplicación.

Funcionamiento: con la aplicación SmartLife

Smart Life se puede asociar directamente al Smart Life a través de la Wi-Fi doméstica y se puede controlar a través del teléfono o manualmente a través de la pantalla táctil. Con Smart Life es posible ajustar la distancia de temperatura, encender y apagar el programa.

Asegúrese de seguir atentamente las instrucciones de emparejamiento. También dispone de asistencia en línea en la sección Ayuda y soporte del sitio web local de Herschel.

Conectar la calefacción a la vida inteligente

Para todos los pasos de emparejamiento, asegúrese de que el teléfono móvil y el calefactor están conectados con una conexión inalámbrica de 2,4 GHz. El emparejamiento no funcionará con una conexión de 5 GHz.

Descargar e instalar la aplicación Smart Life

Escanee el siguiente código QR para descargar la aplicación Smartlife desde App Store o Google Play.

También puedes buscar 'Smart Life' en Google Play o en la App Store y buscar este símbolo.

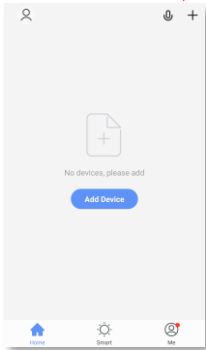


Tras instalar y abrir la aplicación Smart Life, debe registrar una cuenta con una dirección de correo electrónico y una contraseña, y aceptar las condiciones de uso.

Para emparejar, encienda su espejo (o apáguelo y vuelva a encenderlo para iniciar Wifi Discovery). El indicador wifi de la pantalla de control debería parpadear rápidamente.

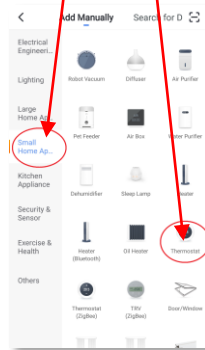
Vaya a la pantalla de inicio de la aplicación Smart Life.

Pulse "+" en la parte superior derecha de la aplicación



Al añadir un termostato, se te pedirá que introduzcas tu contraseña Wifi para emparejar el termostato a esa red.

Seleccione "Pequeños electrodomésticos" y luego "Termostatos Wifi".



Confirme en la aplicación Smart Life que el indicador wifi parpadea rápidamente y se iniciará el proceso de emparejamiento. Deje que el proceso se complete al 100% en la aplicación.

El proceso de emparejamiento es muy fiable con una conexión de 2,4 GHz. Si el proceso falla, asegúrese de que dispone de una conexión de 2,4 GHz y vuelva a intentar el proceso de emparejamiento.

Modo de emparejamiento alternativo

Si el emparejamiento falla repetidamente y la App le sugiere un "Modo de emparejamiento alternativo" (Modo AP), puede cambiar el modo de emparejamiento (Símbolo Wifi parpadeando lentamente). Con el calentador encendida, haga clic en el botón + durante 3 segundos hasta que la pantalla táctil muestre "OFF" en la pantalla de temperatura. A continuación, haz clic en el botón Temporizador durante 5 segundos y el símbolo wifi parpadeará lentamente. Reinicia el emparejamiento en la App y confirma que el símbolo wifi parpadea lentamente. También puedes repetir el proceso anterior para volver al modo de emparejamiento EZ (símbolo wifi parpadeando rápidamente).

Desactivar wifi

El wifi se puede desactivar por completo pulsando el botón + durante 3 segundos hasta que la pantalla táctil muestre "OFF" en la indicación de temperatura. A continuación, mantén pulsado el botón - durante 10 segundos para desactivar el wifi. Mantenga pulsado el botón - durante 10 segundos para volver a activar el wifi.

Funciones adicionales en la App

Ajustes disponibles en la App no disponibles en el control de pantalla táctil.

- Modo inteligente: le permite configurar y hacer funcionar su calefactor según un programa diario.
- Manejo remoto de el calentador desde cualquier lugar a través de Internet.
- Desactivar los "pitidos" audibles que puede emitir ocasionalmente la unidad controladora de el calentador.

Limpieza y mantenimiento



General

Tenga en cuenta que es posible que el calentador se decolore con el uso; esto se debe a la contaminación del aire y no es un fallo.

El calefactor está diseñado para durar muchos años e incorpora varias características de seguridad, pero si el calefactor no se ha utilizado o instalado de acuerdo con estas instrucciones, emite algún ruido, olor o muestra una rápida decoloración de la superficie o temperaturas excepcionalmente altas, deje de utilizar el calefactor y diríjase al Servicio de Atención al Cliente de Herschel o a su distribuidor local de Herschel.



Limpieza

Antes de limpiar el calentador, desenchúfela, desconéctela de la red eléctrica y deje que se enfríe completamente.

NO sumerja el calentador en agua ni le salpique agua.

Limpie el calentador con un paño húmedo. No utilice nunca un paño húmedo. Una vez limpio, seque las superficies con un paño seco.

NO aplique materiales abrasivos, disolventes o paños disolventes a la superficie, ya que puede causar daños irreparables. Espere a que la unidad esté completamente seca antes de utilizarla.



Repare

NO intente reparar o ajustar ninguna de las funciones eléctricas o mecánicas de esta unidad. Las reparaciones sólo deben ser realizadas por Herschel o un servicio técnico autorizado por Herschel.



Eliminación

el calentador es un producto eléctrico y no debe tirarse a la basura doméstica. Un alto porcentaje de el calentador puede reciclarse. Trátelo como residuo eléctrico y recíclelo de acuerdo con la normativa local.

